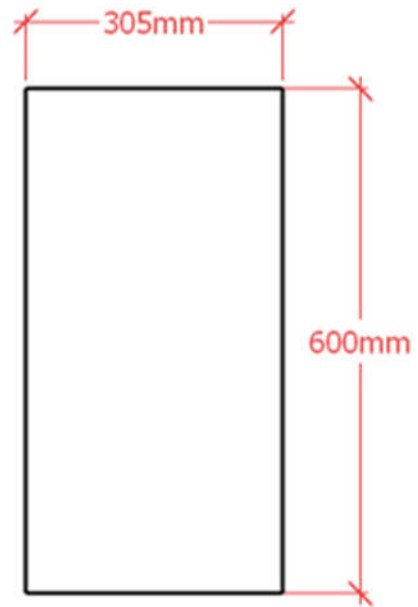
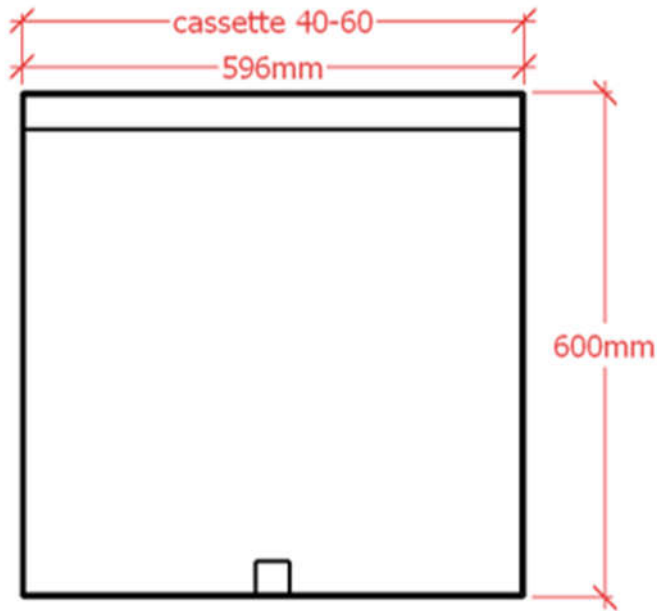
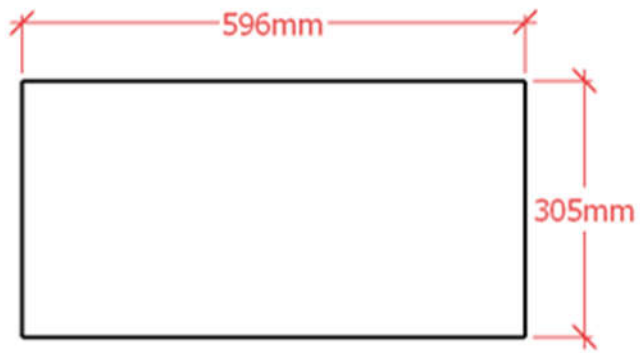


BIO-O!	Opening ¹	Weight kg	Consumption ml/h	Power kW
BIO-O! 40-60	592x282	7	570	3,5

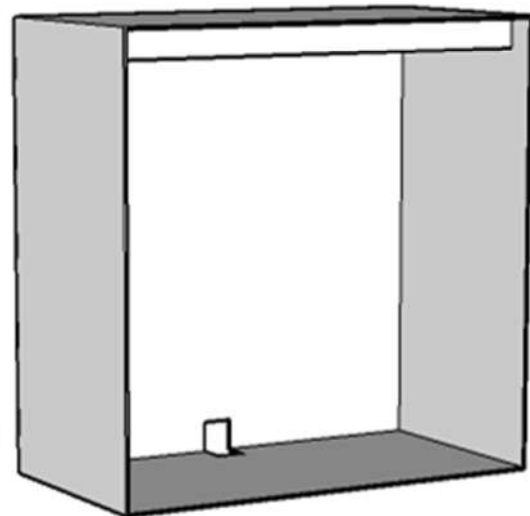
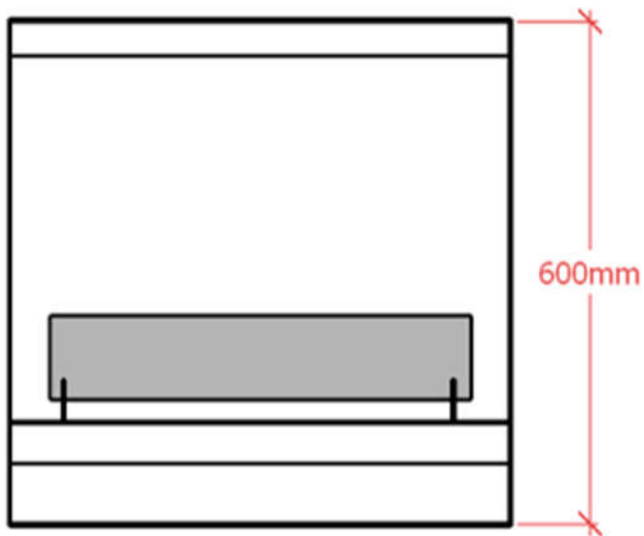
¹Size of the opening to be made in the case of a recessed setup



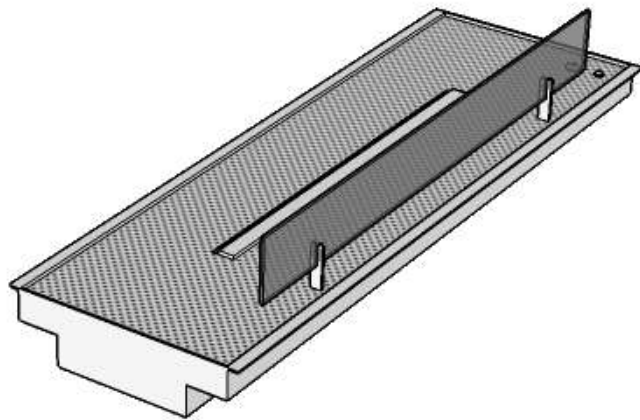
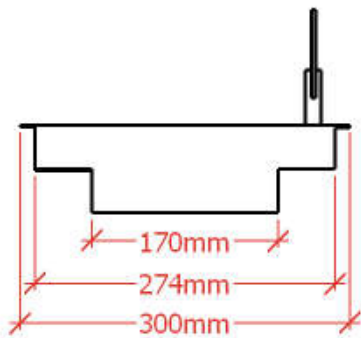
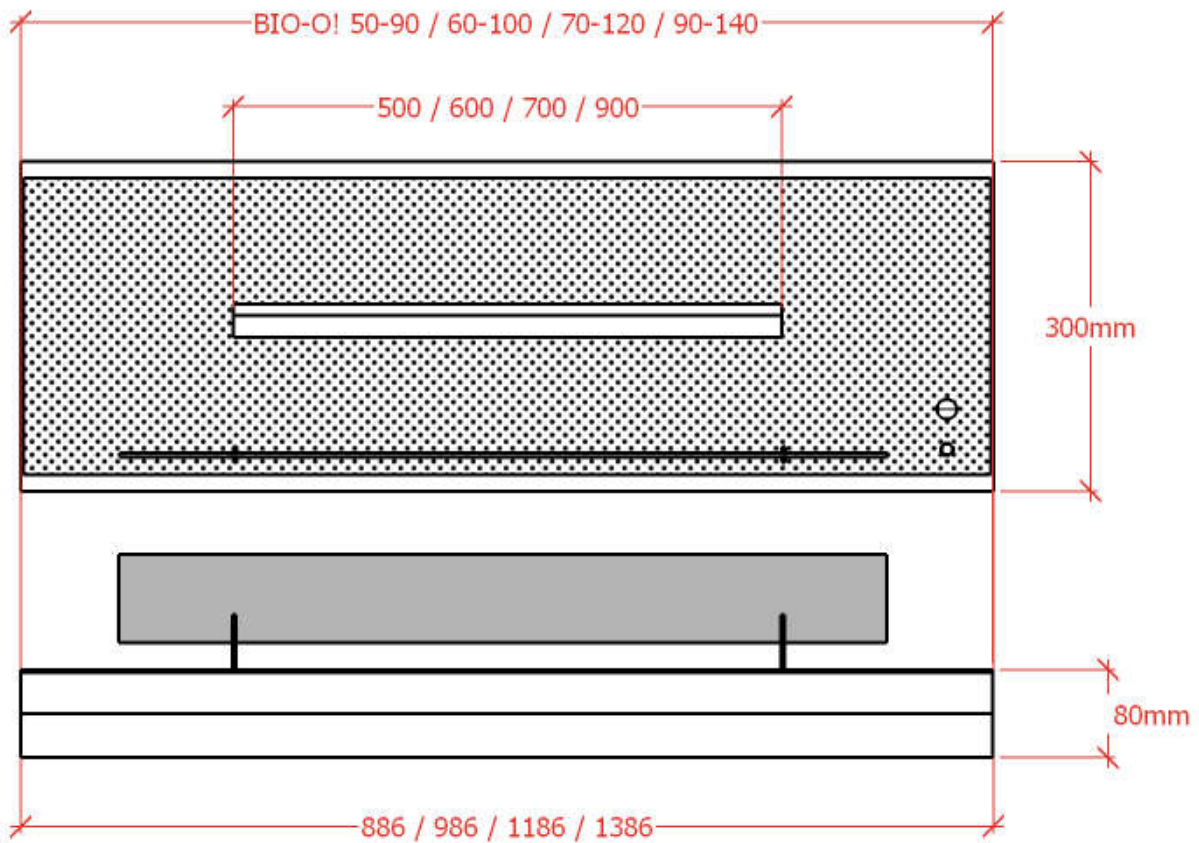
side



top

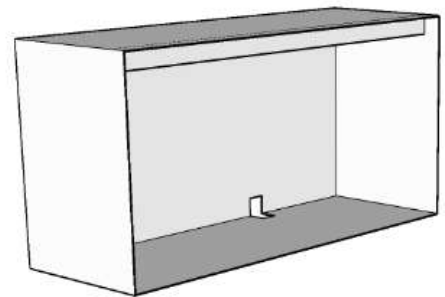
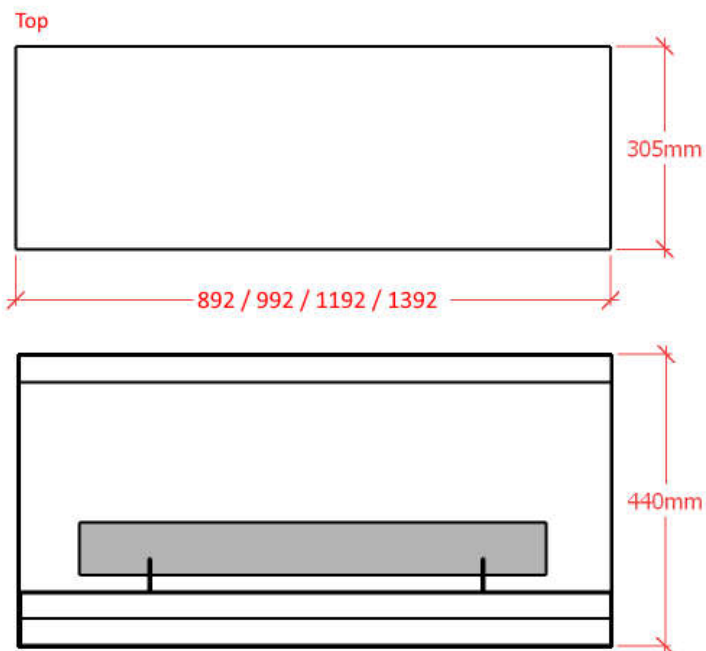
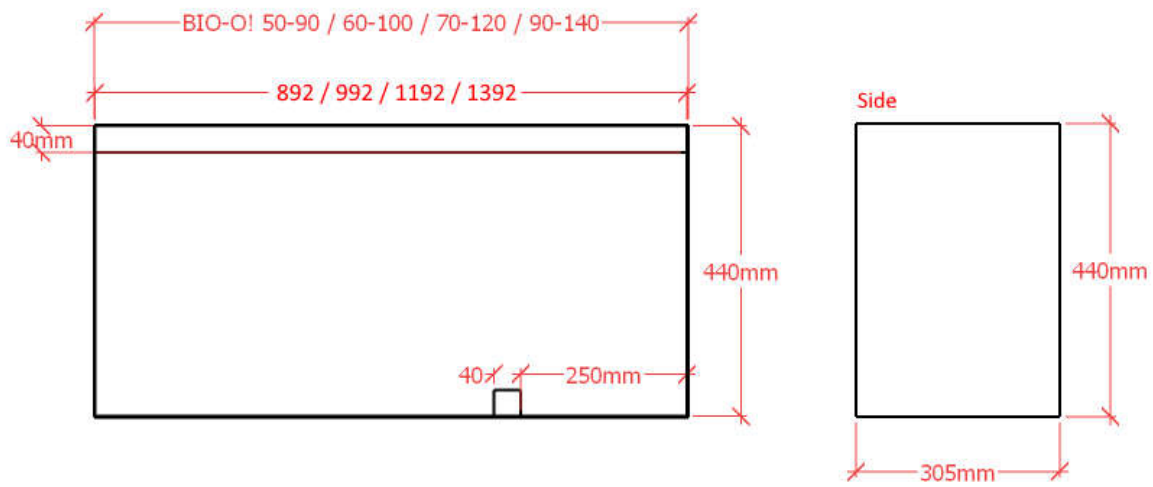


BIO-O!	Weight kg
BIO-O! 40-60	20



BIO-O!	Opening¹	Weight kg	Consumption ml/h	Power kW
BIO-O! 50-90	888x282	9	500	2,9
BIO-O! 60-100	988x282	10	570	3,5
BIO-O! 70-120	1188x282	11	665	4,1
BIO-O! 90-140	1388x282	12	870	5,3

¹Size of the opening to be made in the case of a recessed setup



BIO-O!	Weight kg
BIO-O! 50-90	22
BIO-O! 60-100	24
BIO-O! 70-120	27
BIO-O! 90-140	31