

1 2 3 4 5 6 7 8

A

B

C

D

E

F

A

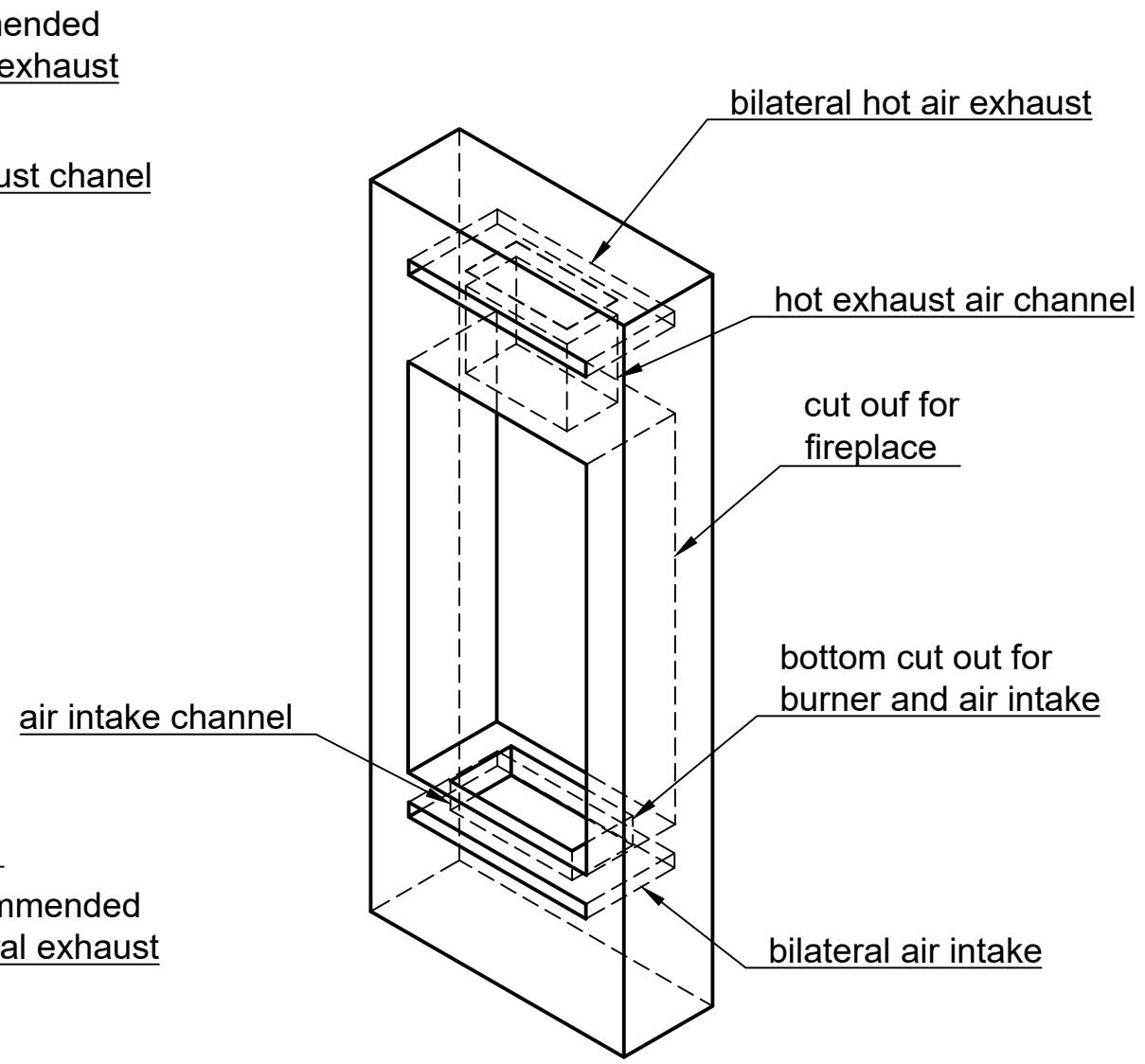
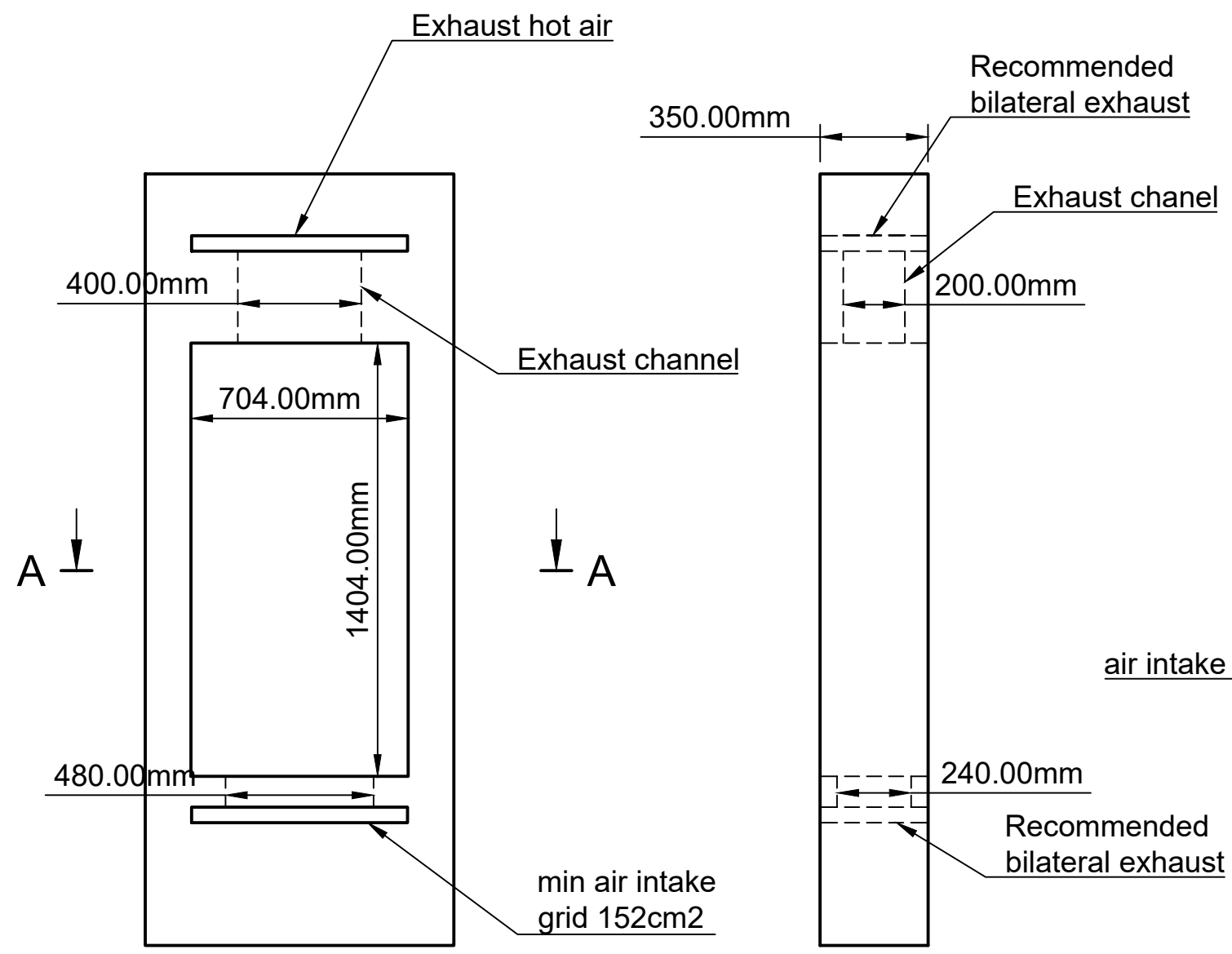
B

C

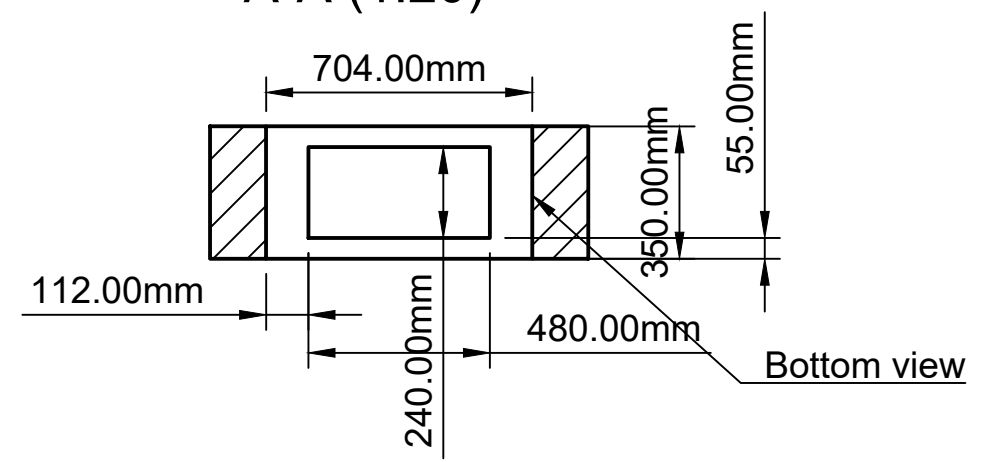
D

E

F



A-A (1:20)



Bottom view

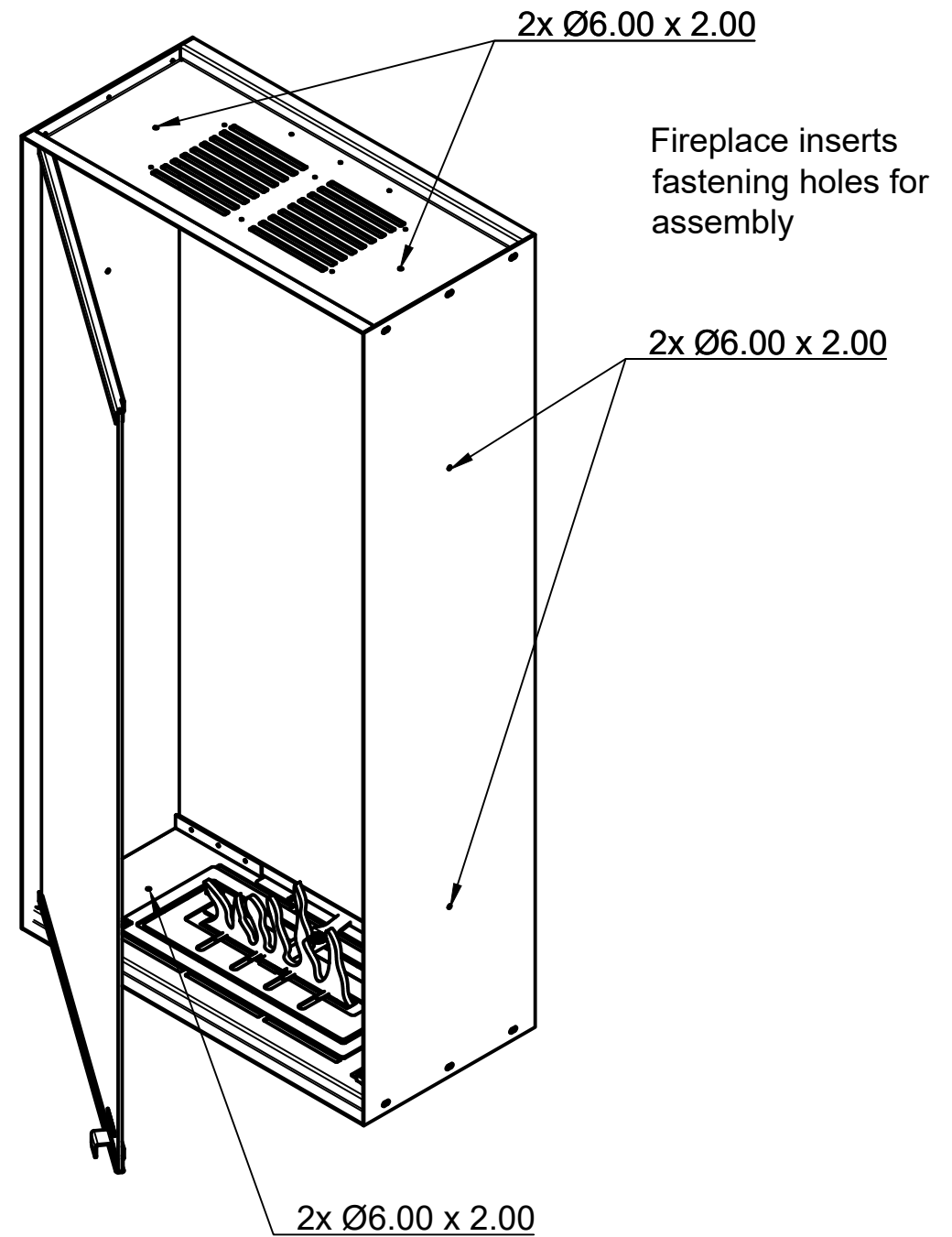
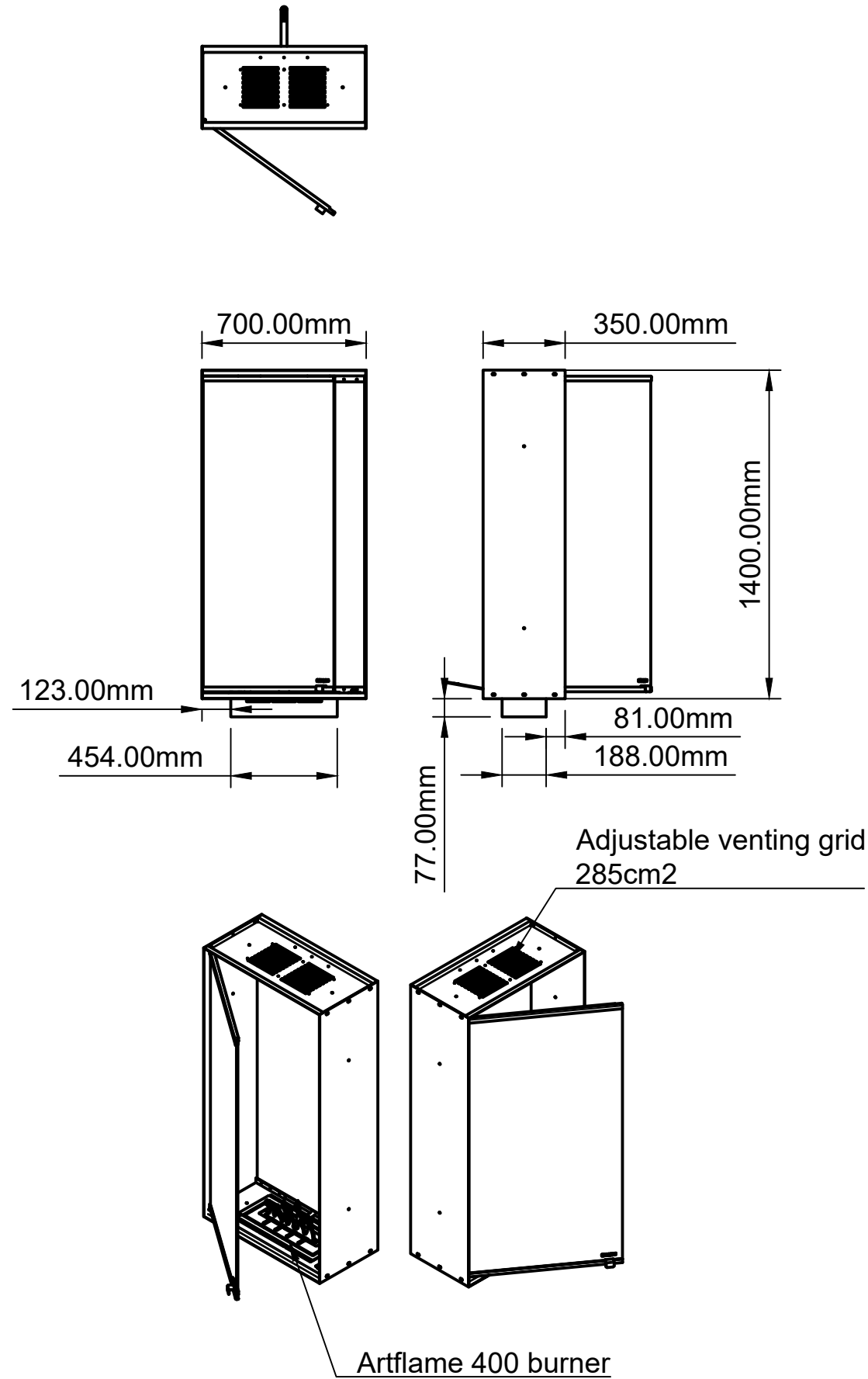
The drawing is subject to copyright Biopasja Sp. z o.o. Industrial design protection own by Biopasja Sp. z o.o RCD002681213 & Concealed latches NEOPRO - PATENT no. P.427092

Assembly instruction BSB DF SAFE Vertical v6				Project No	BSB DF SAFE VERTICAL
				Drawing No	1/2
Scale	Format	Drawn by	Drawn date	BIOPASJA	
1:20	A3	Adam	07/12/2023		
Rev.	Approved by	Rev. by	Rev. Date		

LOOKING FOR PRICES - SEE ON QUALITY AND SAFETY WE STANDS FOR 14 YEARS OF EXPERIENCE

This drawing is our exclusive property and may not without our consent be utilized, reproduced, transmitted or communicated to a third party.

1 2 3 4 5 6 7 8



The drawing is subject to copyright Biopasja Sp. z o.o. Industrial design protection own by Biopasja Sp. z o.o RCD002681213 & Concealed latches NEOPRO - PATENT no. P.427092

BSBS DF VERTICAL 700X1400X350 A400 v4				Project No	BSB DF SAFE VERTICAL
				Drawing No	2/2
Scale	Format	Drawn by	Drawn date	BIOPASJA	
1:25	A3	Adam	07/12/2023		
Rev.	Approved by	Rev. by	Rev. Date		
This drawing is our exclusive property and may not without our consent be utilized, reproduced, transmitted or communicated to a third party.					