

CONTENT

04 CONFIGURATION	INTERFACES	
04 Standard configuration		
05 Optional Extra		
.....		
06 THERMOBOXES		
.....		
07 INTERFACES		
07 General		
08 Fireplace		
09 ARS		
.....		
11 DIMENSIONS		
11 Fireplace		
12 ARS		
.....		
13 NICHE PREPARATION	INSTALLATION	
13 Niche for the fireplace		
14 Niche requirements		
15 Niche for Standard ARS		
16 Niche for Standard ARS (with fuel canister)		
17 Niche for Mini ARS		
.....		
18 INSTALLATION		
18 Laying of communications for Standard ARS		
19 Laying of communications for S-ARS (with fuel canister)		
20 Laying of communications for Mini ARS		
21 Connecting communications to ARS		
22 Installation of Standard ARS		
23 Installation of Standard ARS (with fuel canister)		
24 Installation of Mini ARS		
25 Connecting communications to the fireplace		
26 Installation of the fireplace		
.....		
27 FEATURES	TECHNICAL INFORMATION	
27 Technical information		
28 Warnings		



ATTENTION! This document, along with the User Manual, is part of the device and is being delivered along with the fireplace (hereinafter collectively referred to as «Instructions»). If one or both of these documents weren't delivered with your fireplace, please contact the manufacturer prior to the installation and / or use of the fireplace.

- Make sure to read this Technical Documentation (hereinafter «Documentation») before using the fireplace!
- Keep this Documentation in a safe place for the lifetime of the fireplace!
- This appliance by design, method of operation, consumer properties and technical safety fully complies with the requirements of the European Standard EN 16647:2015



ATTENTION! Please follow local laws when using the appliance.

SYMBOLS



FIRE AND BURN HAZARD SIGN




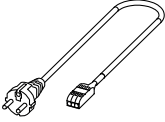
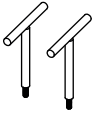
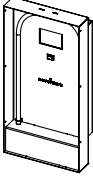
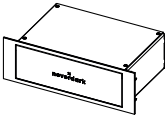

A WARNING SIGN indicates a potential for property damage, personal injury, or death

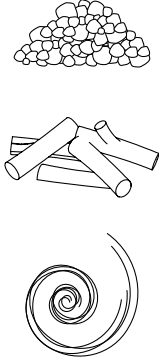

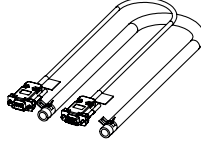
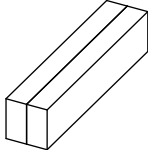


AN ATTENTION SIGN indicates important information

CONFIGURATION

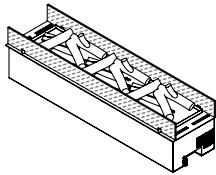

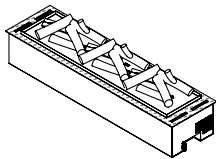
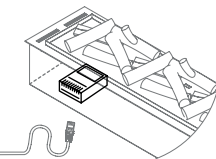
Standard configuration

	Smart fireplace (Standard top panel Black matte)
	1 pc
	Power cable: Euro Plug – WAGO (fireplace length + 0.1m)
	1 set
	Mounting handles
	2 pc
	ARS
	1 pc
	Mini ARS (optional)
	1 pc
	Fuel hose (optional)
	1 pc

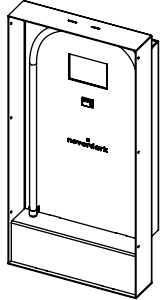
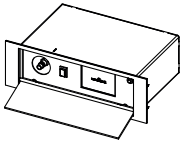
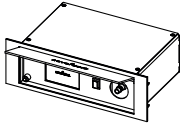
	Decorative elements: decorative stones, ceramic firewood, fiber for glow effect
	1 set
	Documentation
	1 set
	Communications for connecting ARS (length 2,5m)
	1 set
	Packaging
	1 pc

Optional Extra

You can add any option listed below:

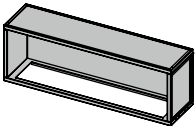
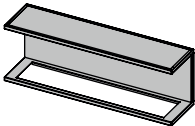
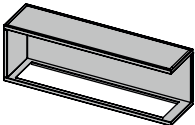
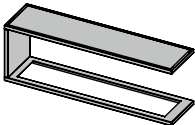
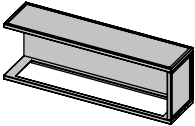
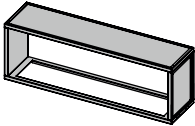
	<p>Glass Border (one or two)</p>		<p>Remote Control</p>
	<p>Custom Top (RAL Matte)</p>		<p>Smart Home connection module</p>
	<p>code GB (1, 2)</p>		<p>code RC</p>
	<p>code CT (RM)</p>		<p>code SH</p>

ARS (the external control and refuelling module) is available in three configurations.

	<p>Standard ARS (by Default)</p>		<p>Mini ARS (down)</p>
	<p>code S-ARS</p>		<p>code M-ARS(down)</p>
			<p>Mini ARS (up)</p>
			<p>code M-ARS(up)</p>

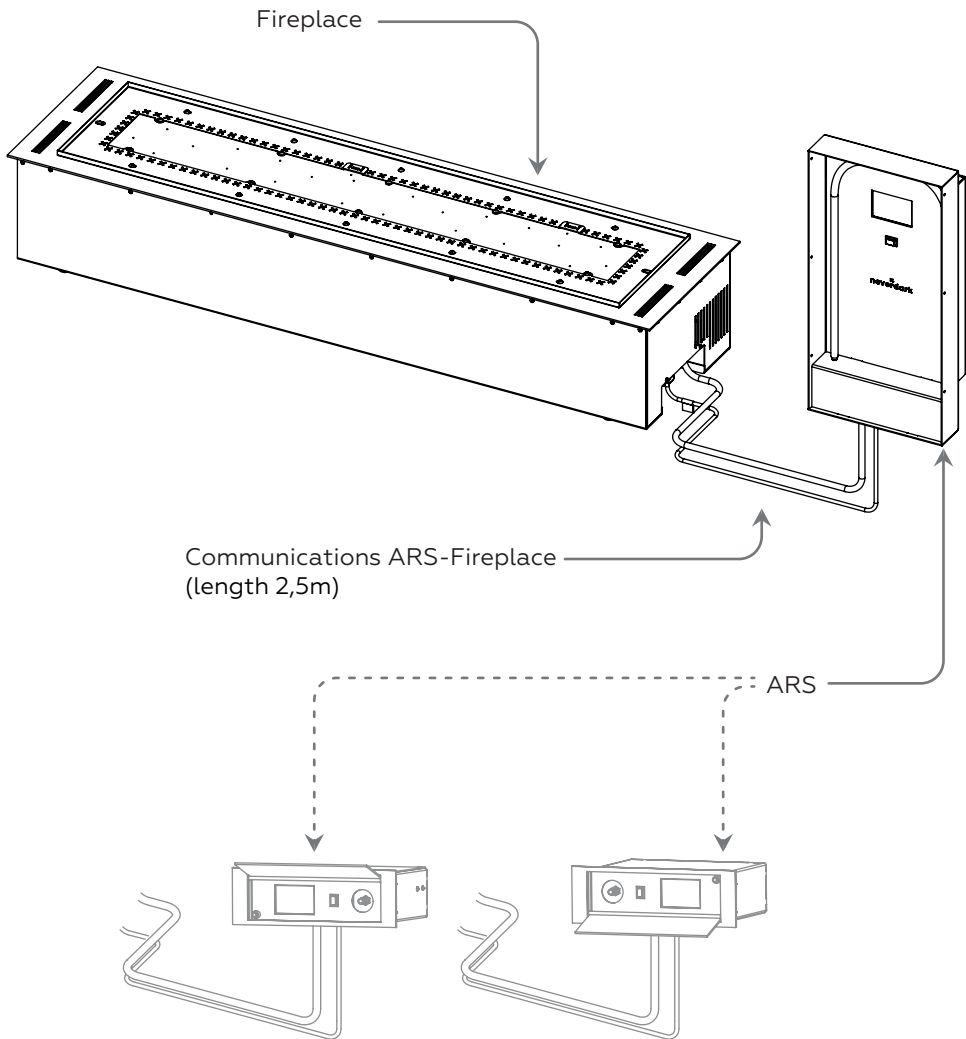
THERMOBOXES

You can also choose the Neverdark Thermobox for your fireplace. The Thermobox can withstand temperatures up to 200°C, allowing you to choose any material for lining the niche.

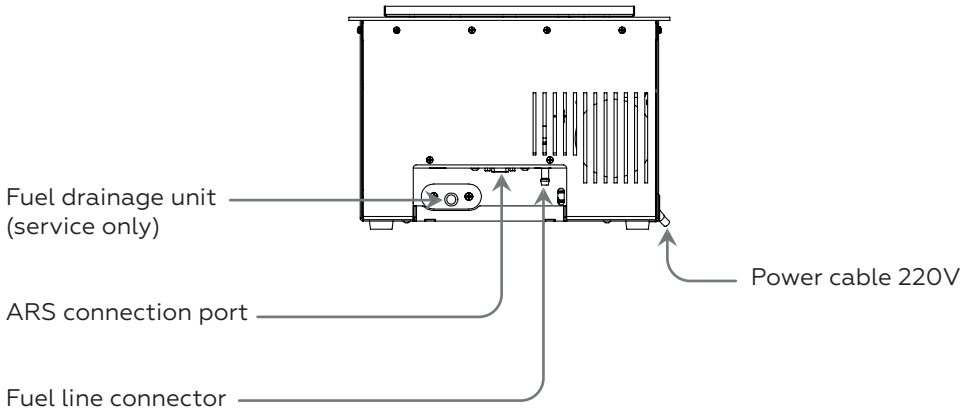
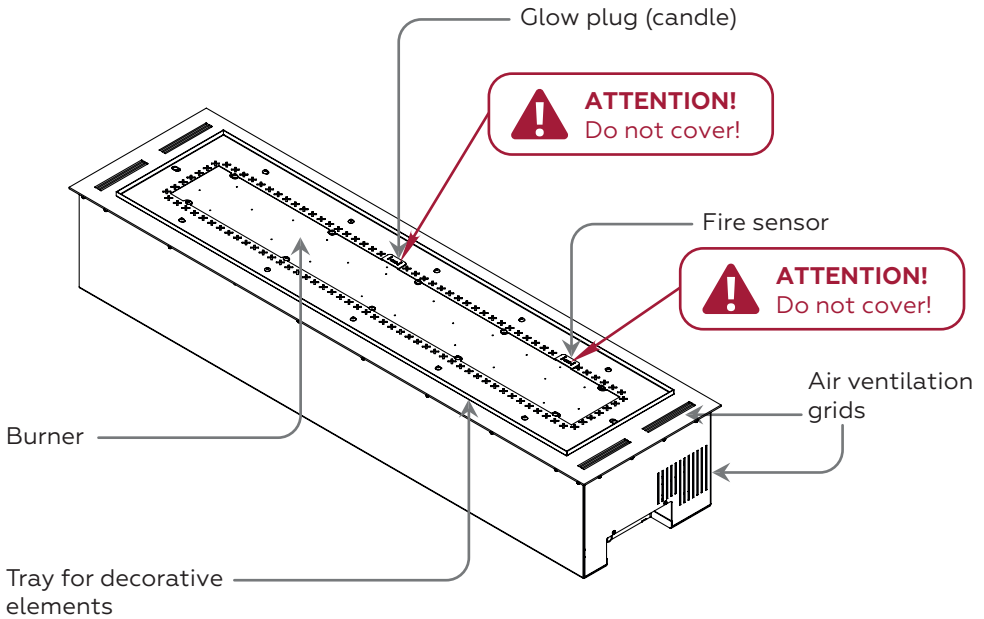
	<p>Single-Sided</p> <p>code TSS</p>		<p>Three-Sided</p> <p>code TTS</p>
	<p>Right Corner</p> <p>code TRC</p>		<p>Room Divider</p> <p>code TRD</p>
	<p>Left Corner</p> <p>code TLC</p>		<p>See-Through</p> <p>code TST</p>

INTERFACES

General

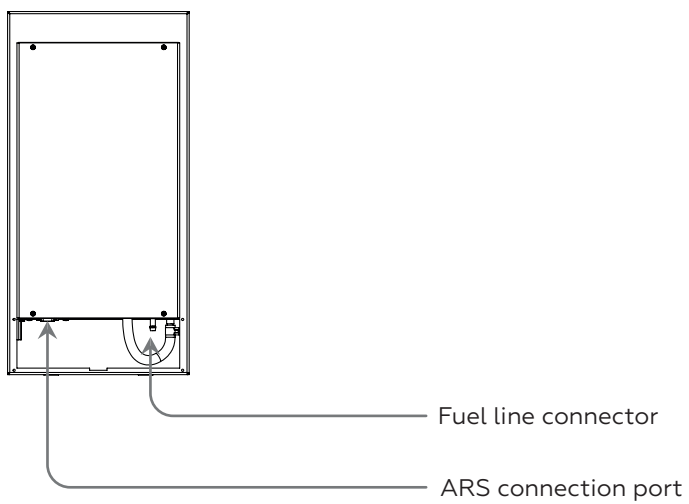
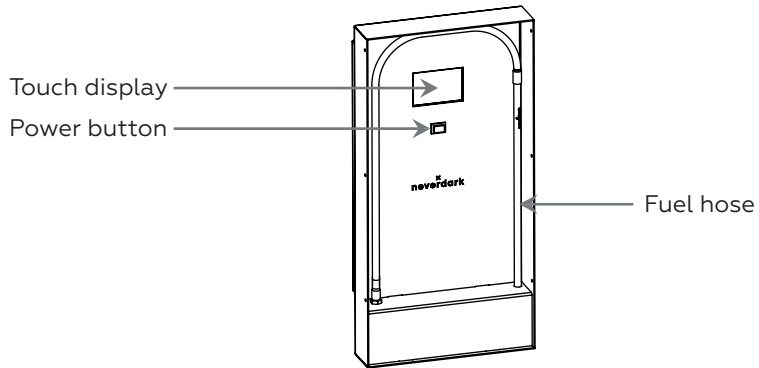


Fireplace

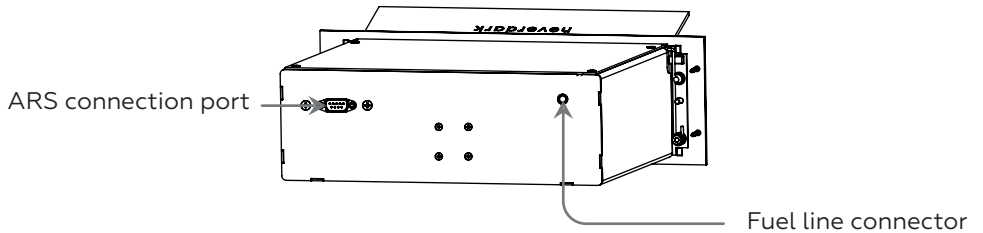
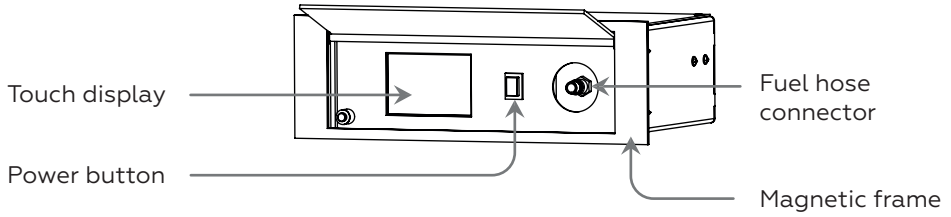


ARS

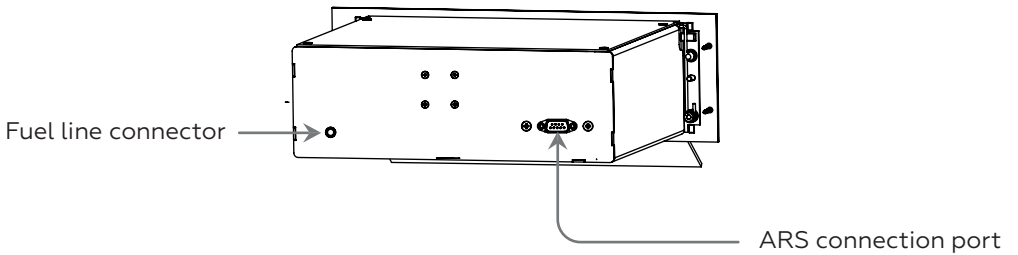
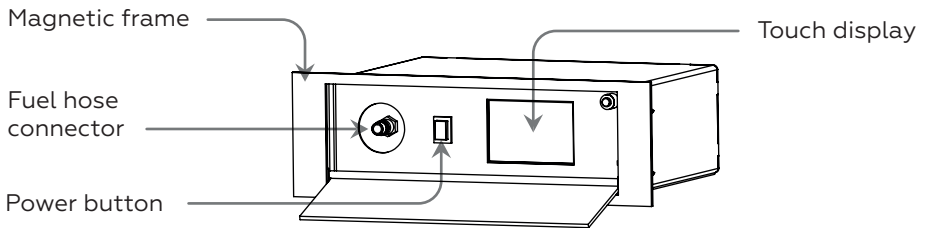
Standard ARS



Mini ARS (up)

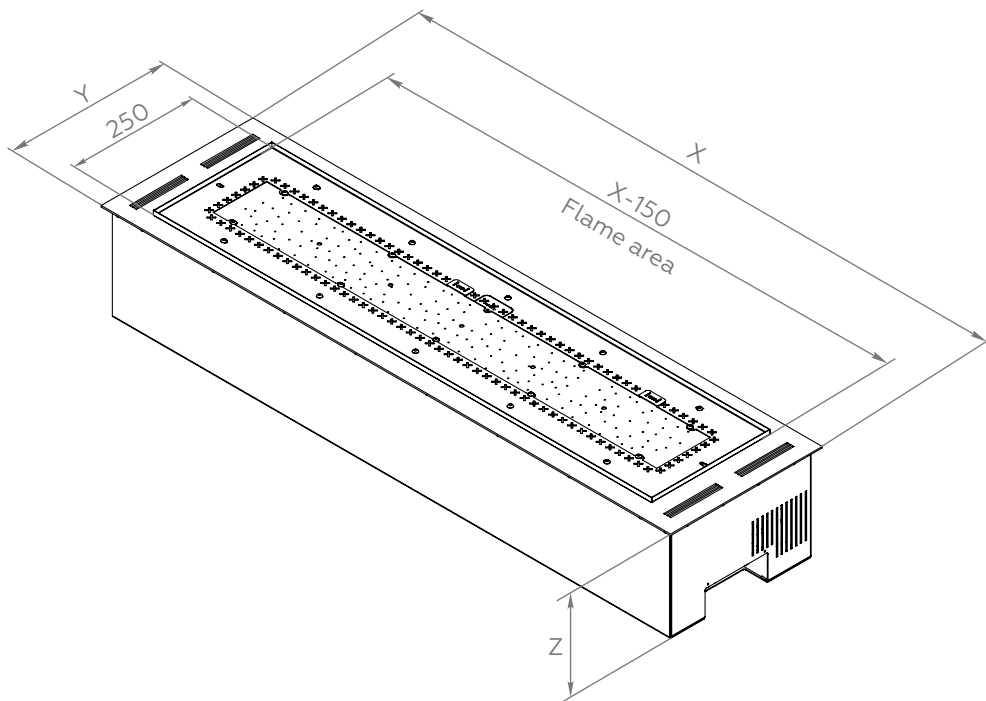


Mini ARS (down)



DIMENSIONS

Fireplace

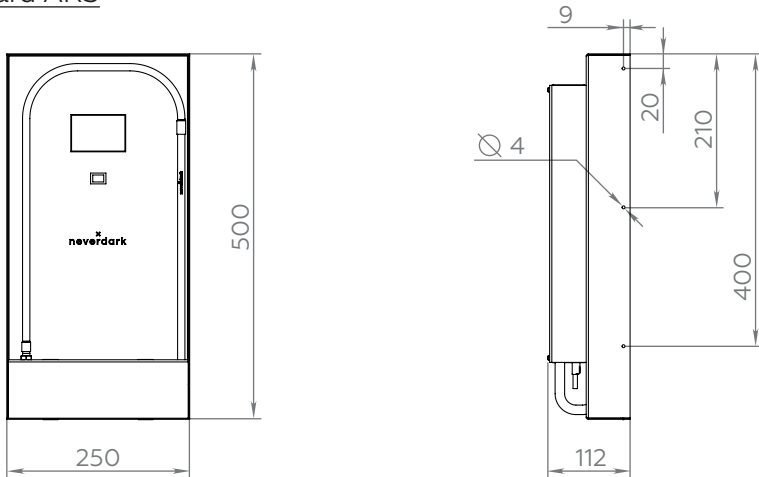


Standard range

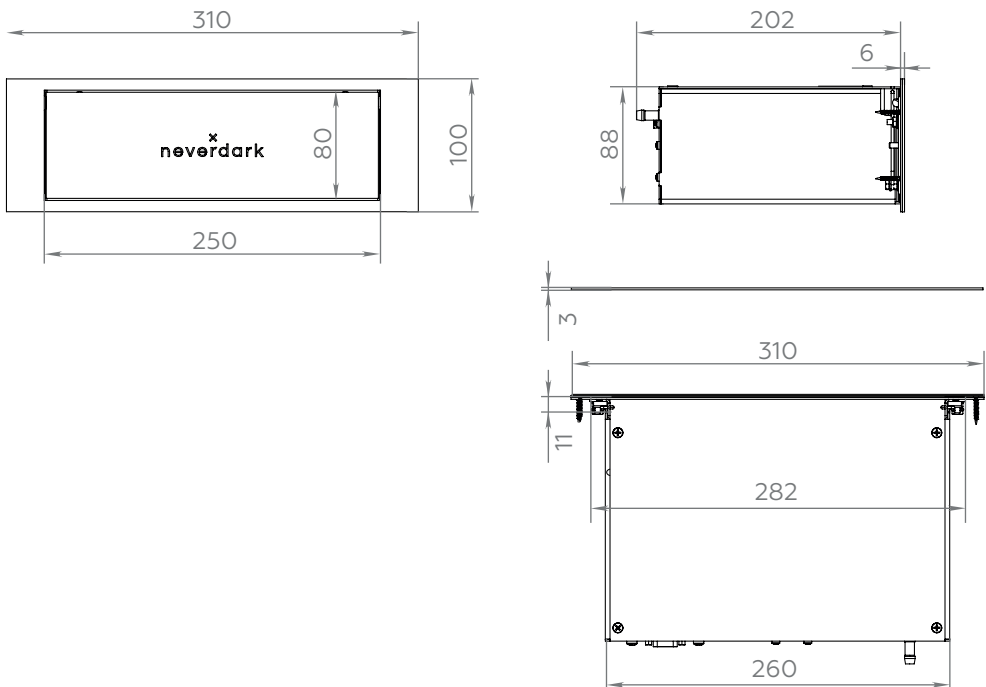
		X	Y	Z	
Model	Code	Length, mm	Depth, mm	Height, mm	Weight, kg
Chalet-II 700 (ex)	C2-700-ex.EFT	700	320	255	30
Chalet-II 950 (ex)	C2-950-ex.EFT	950			40
Chalet-II 1200 (ex)	C2-1200-ex.EFT	1200			49

ARS

Standard ARS

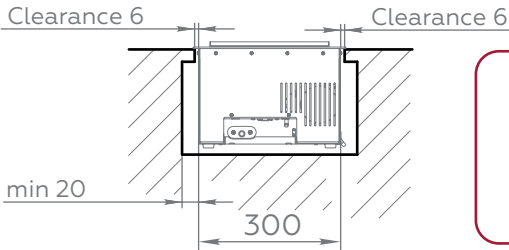
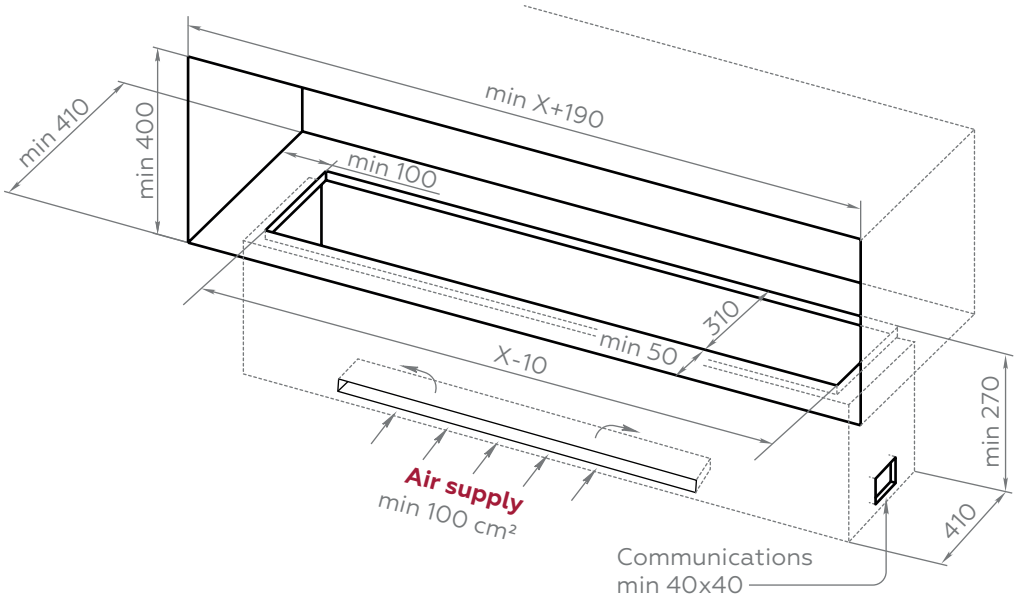


Mini ARS (Up/Down)

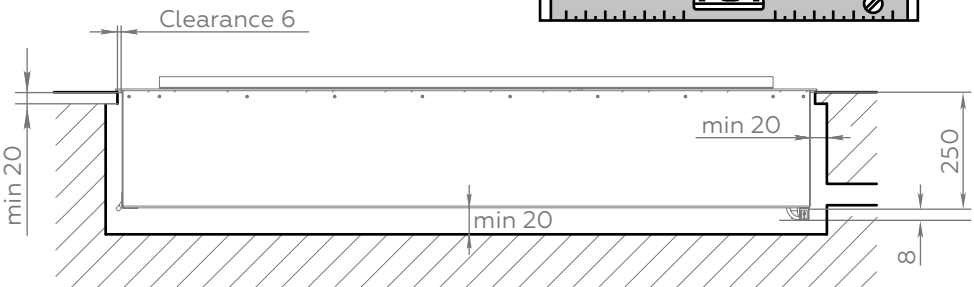


NICHE PREPARATION

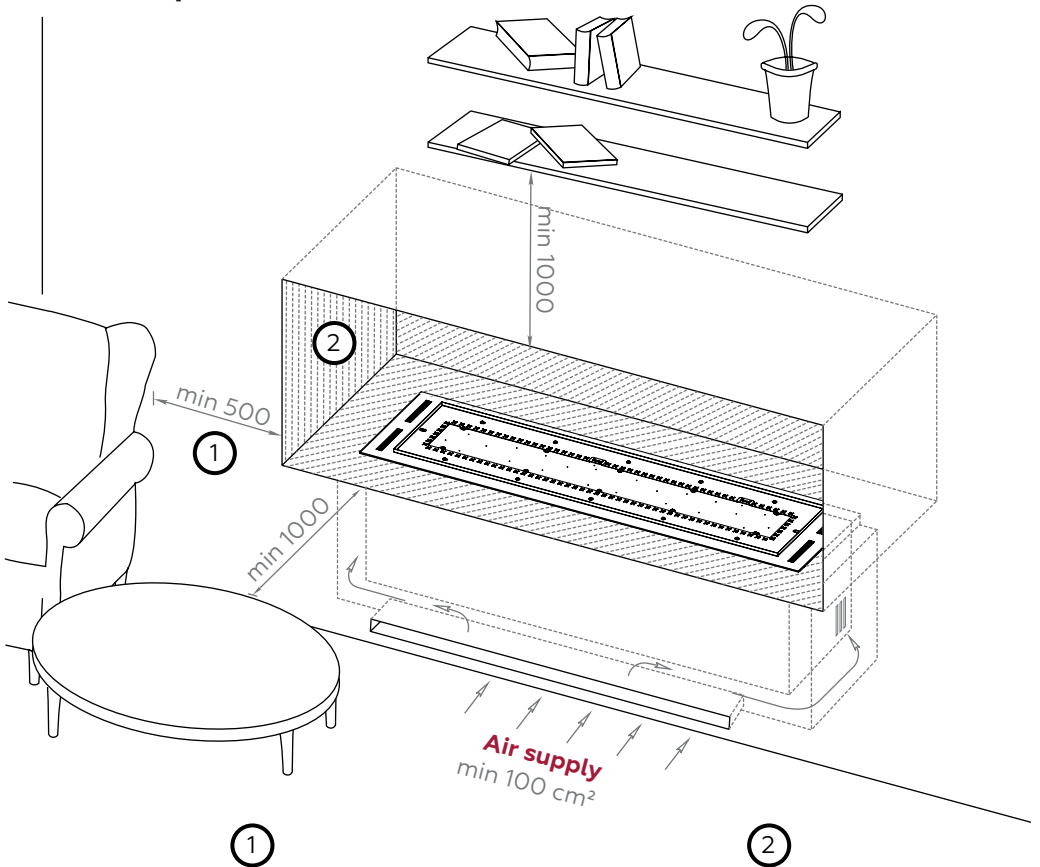
Niche for the fireplace



WARNING! For correct operation of the smart fireplace, it must be installed 100% horizontally according to the level!



Niche requirements



WARNING!

Min 1000 mm to flammable objects from any exposed side of the niche.

Min 500 mm to flammable objects from any closed side of the niche.



WARNING!

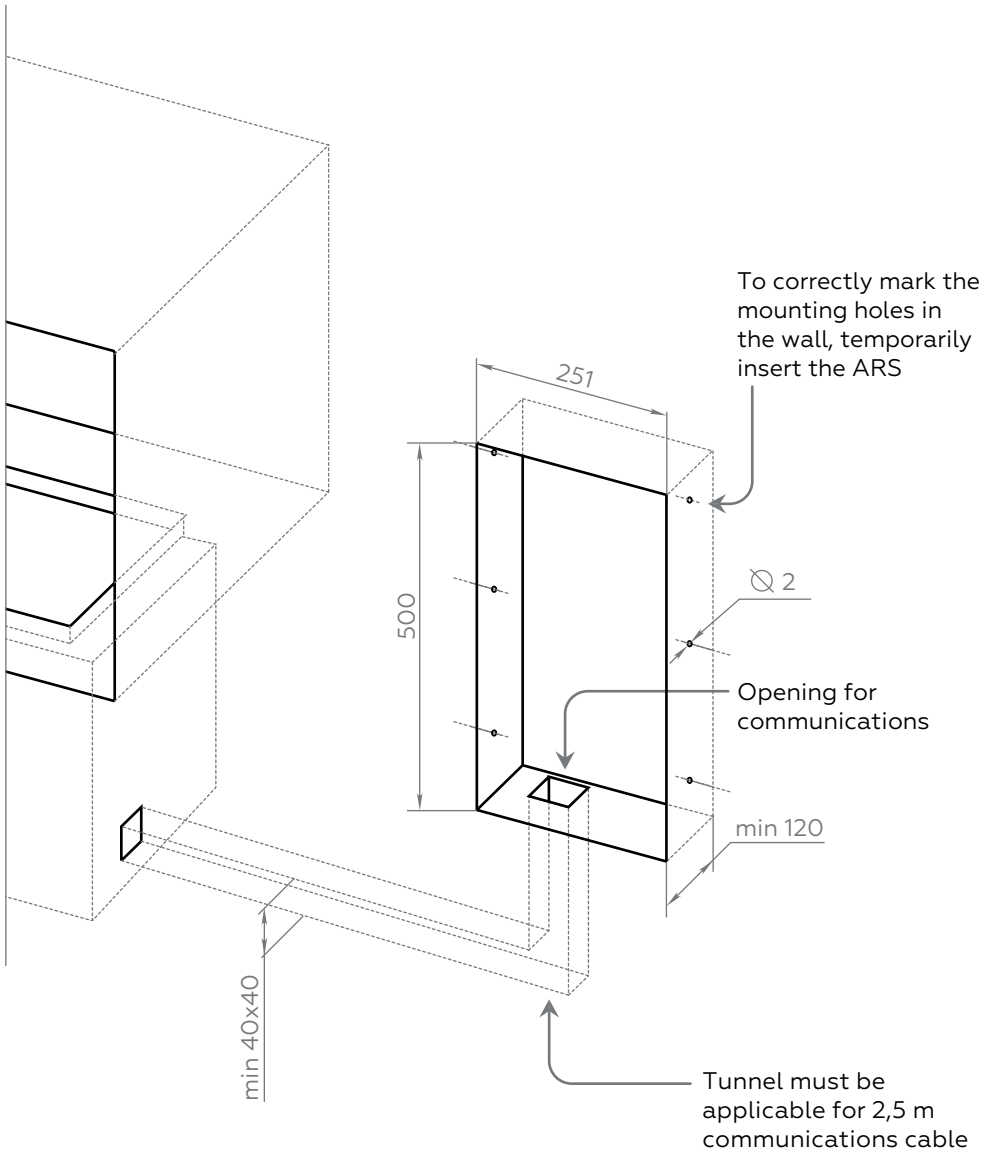
Heat-resistant material which withstands 150°C at least.

Alternatively, a non heat-resistant material + Neverdark Thermobox

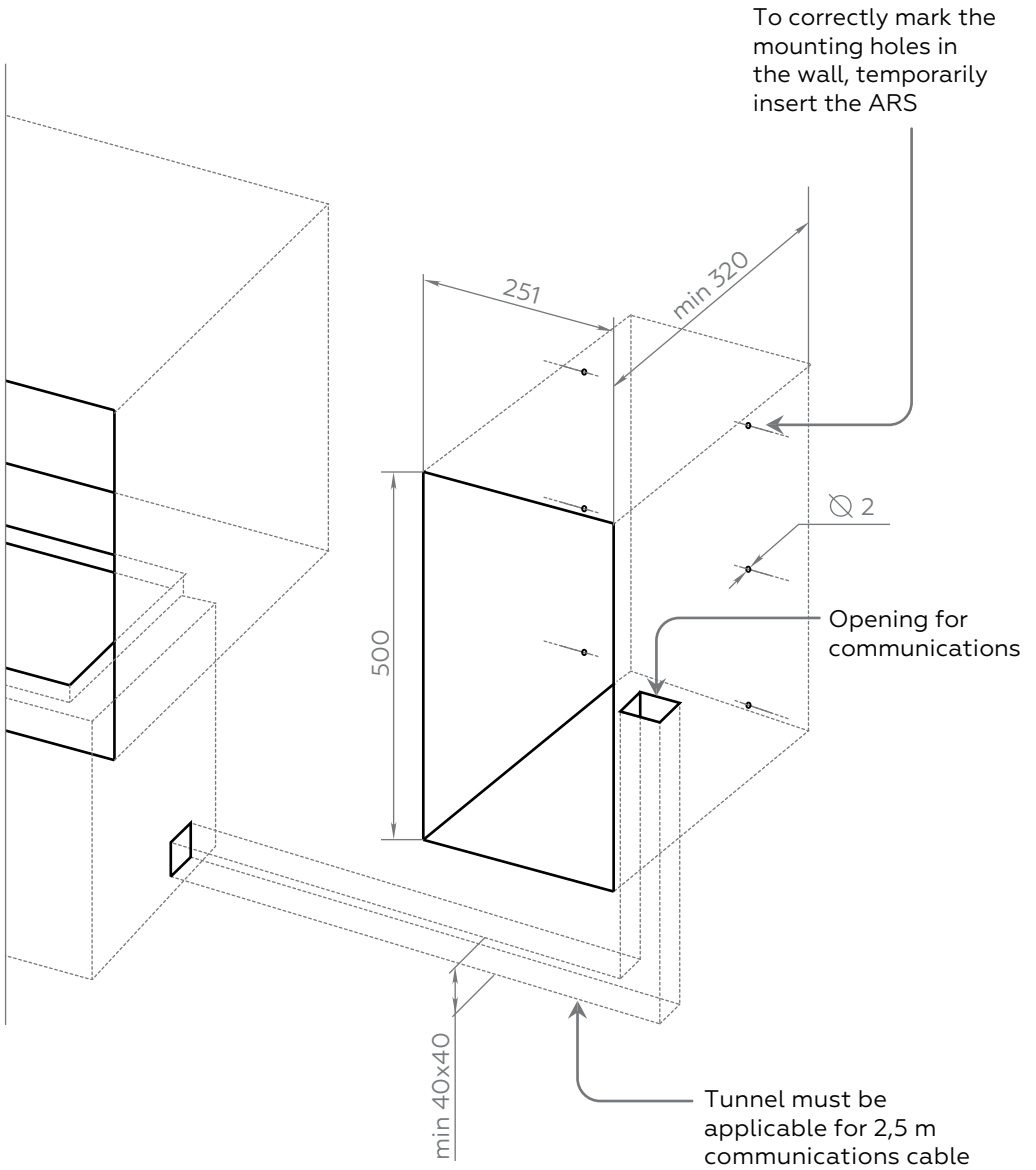


WARNING! For safe and correct operation of the fireplace it is mandatory to provide an air supply opening (100 cm² at least) in the lower part of the niche.

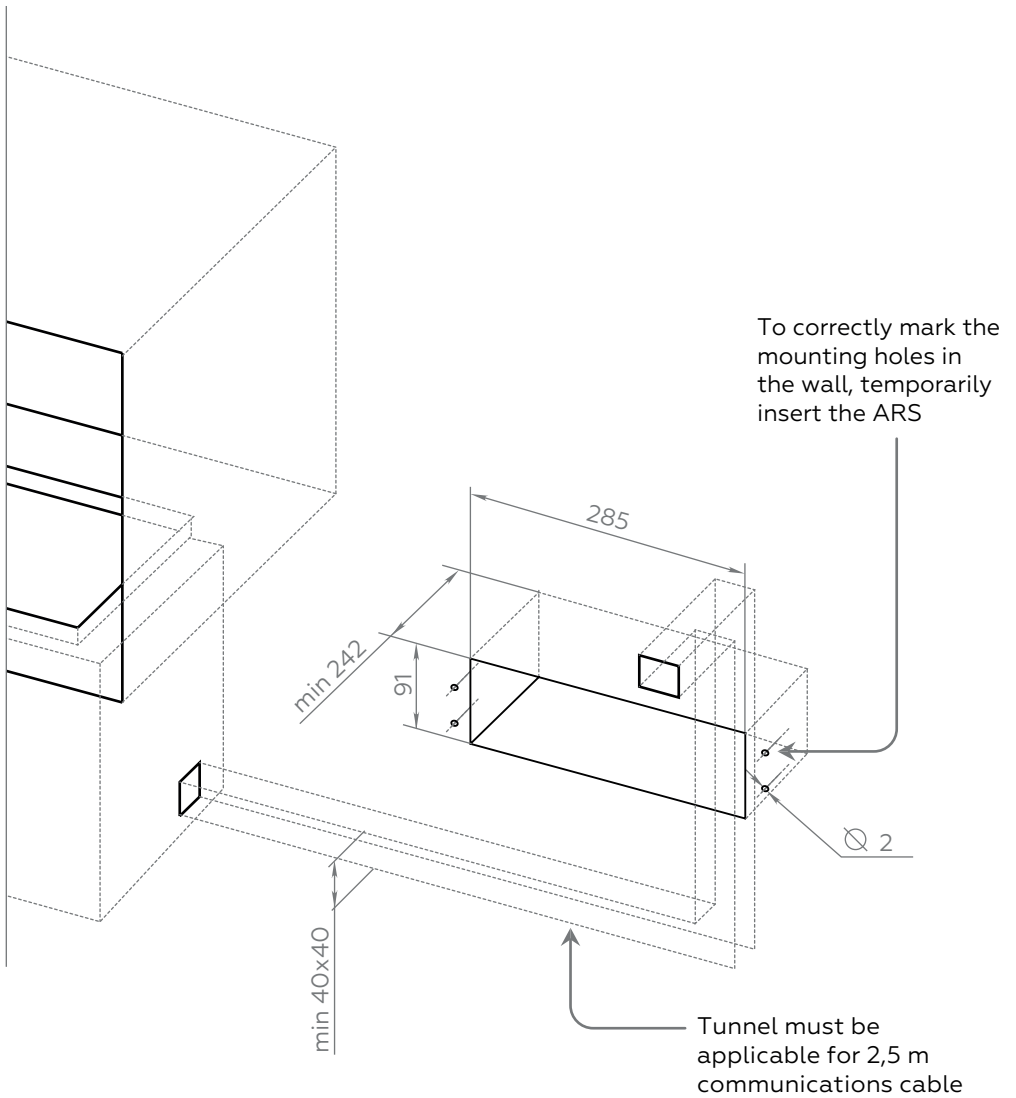
Niche for Standard ARS



Niche for Standard ARS (with fuel canister)

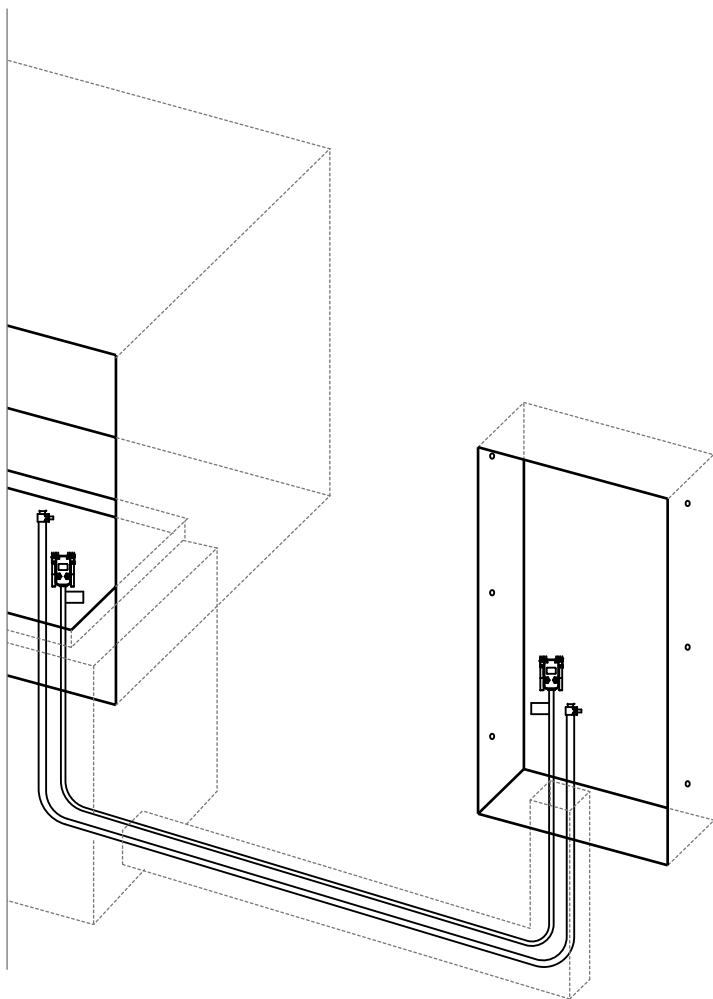


Niche for Mini ARS (Up and Down)

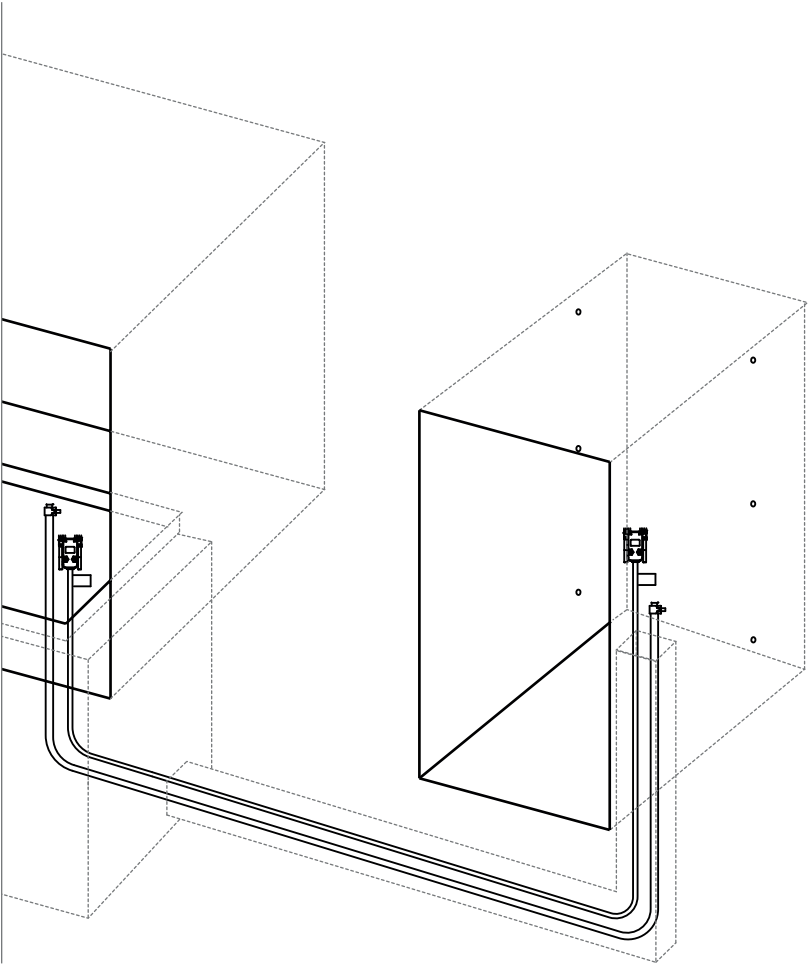


INSTALLATION

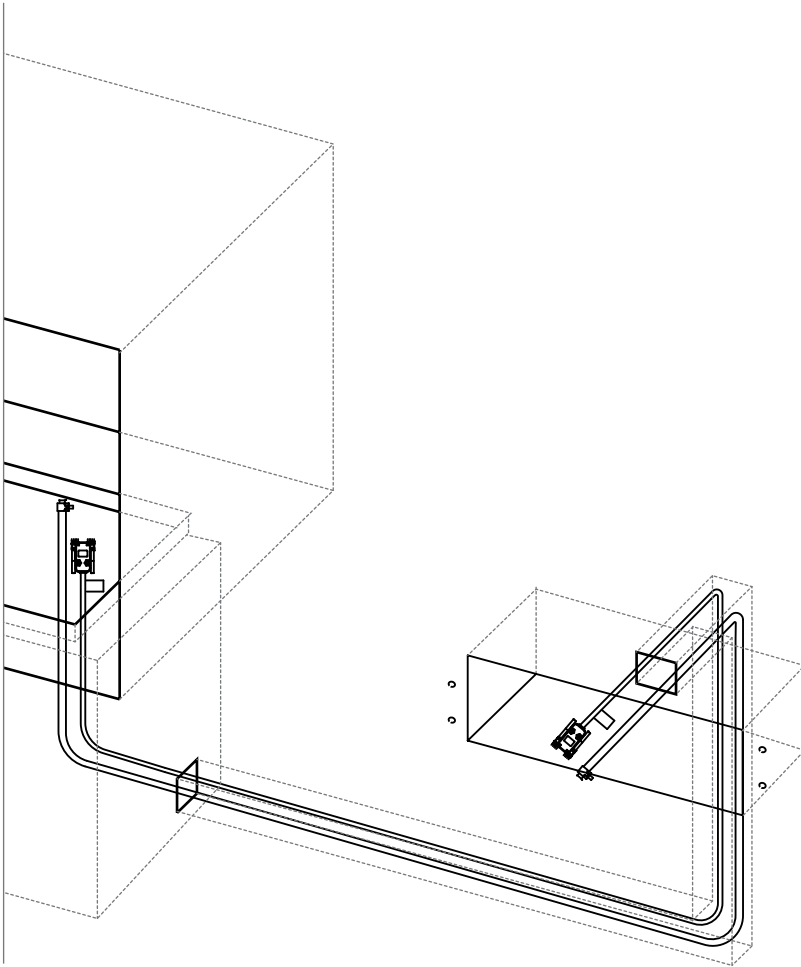
Laying of communications for Standard ARS



Laying of communications for Standard ARS (with fuel canister)



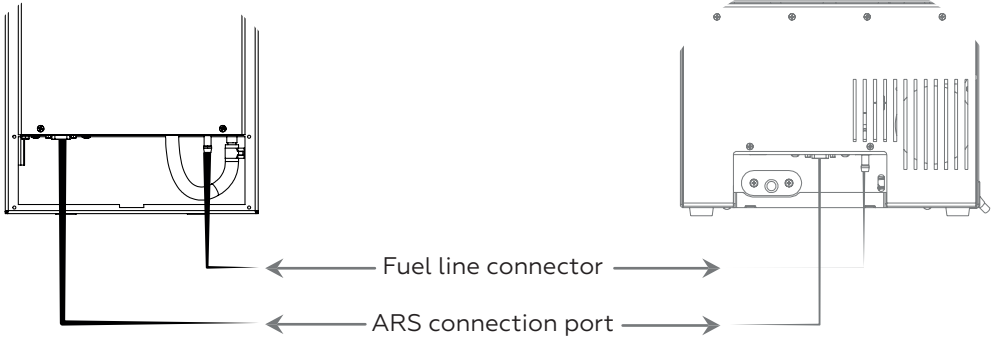
Laying of communications for Mini ARS (Up and Down)



Connecting communications to ARS

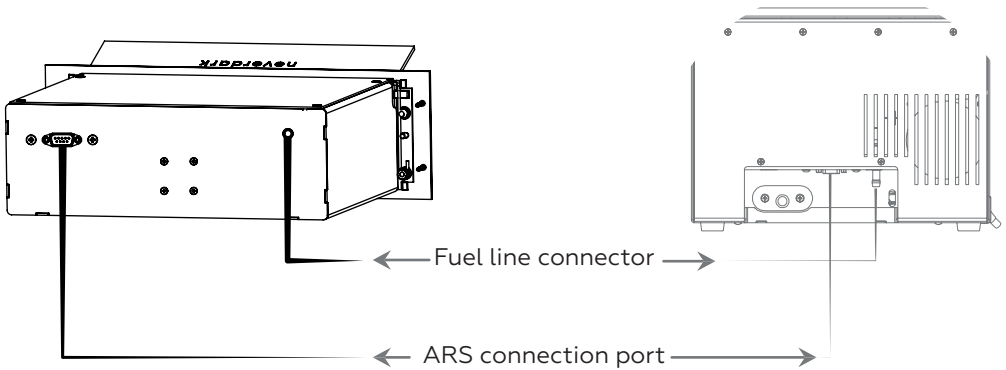
Standard ARS

Fireplace

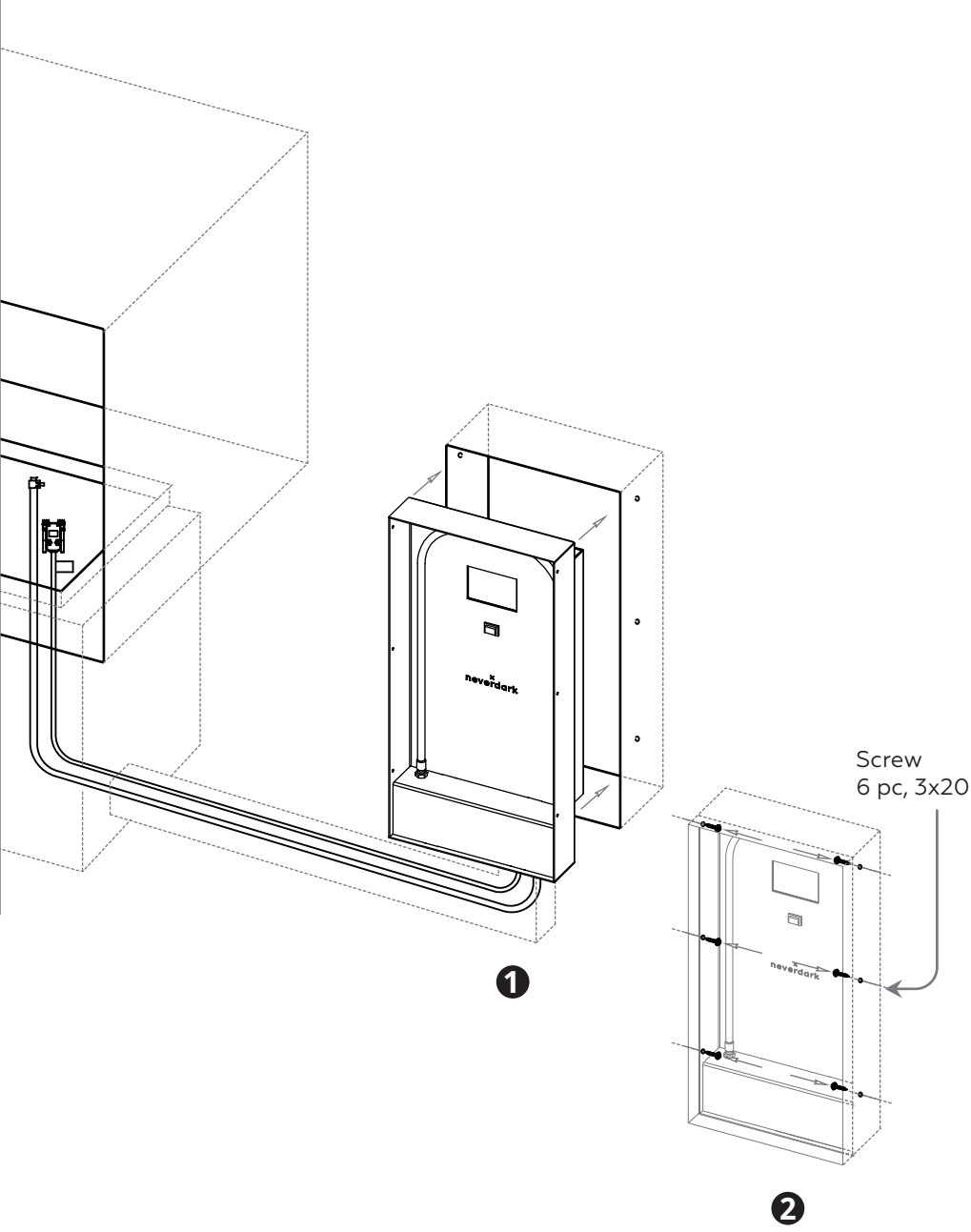


Mini ARS

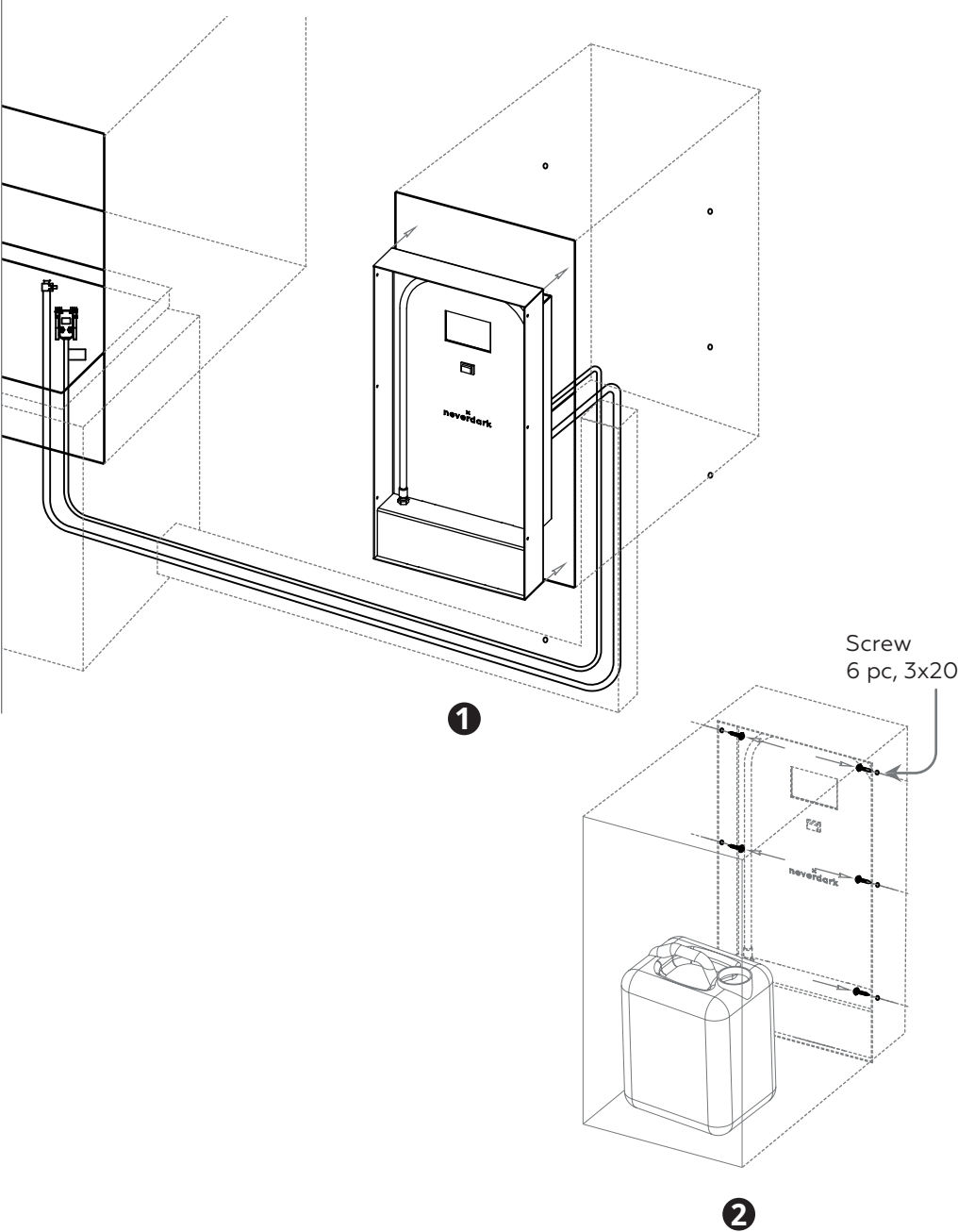
Fireplace



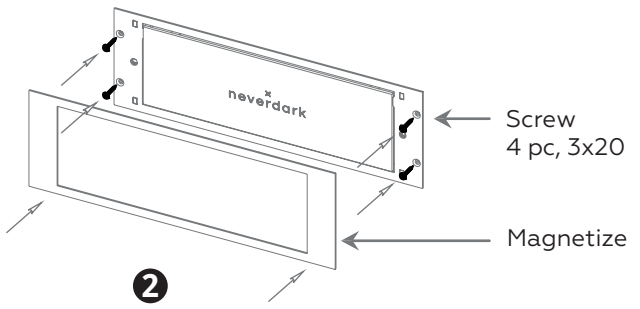
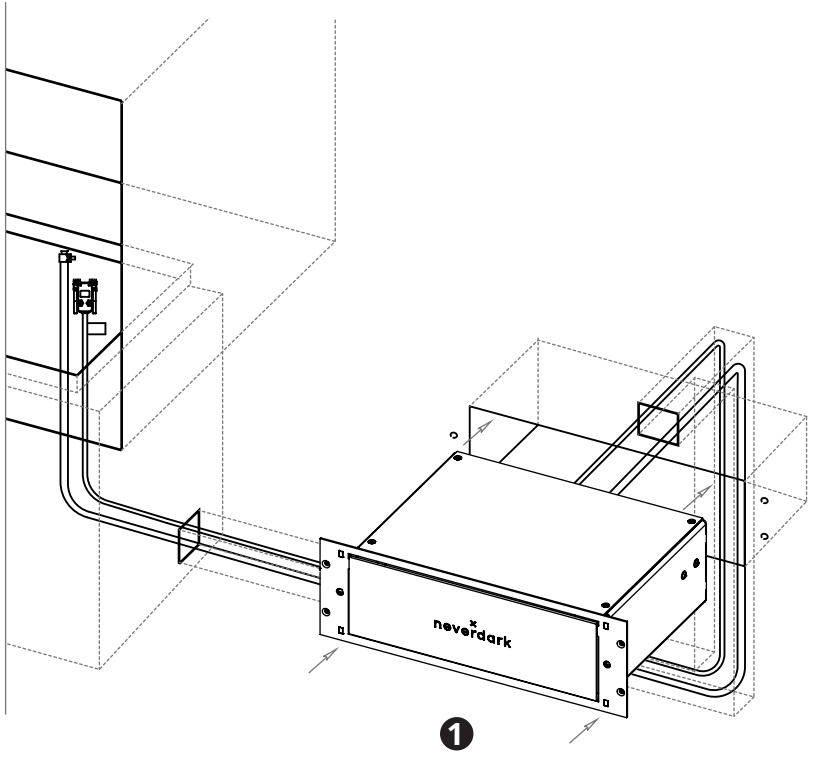
Installation of Standard ARS



Installation of Standard ARS (with fuel canister)



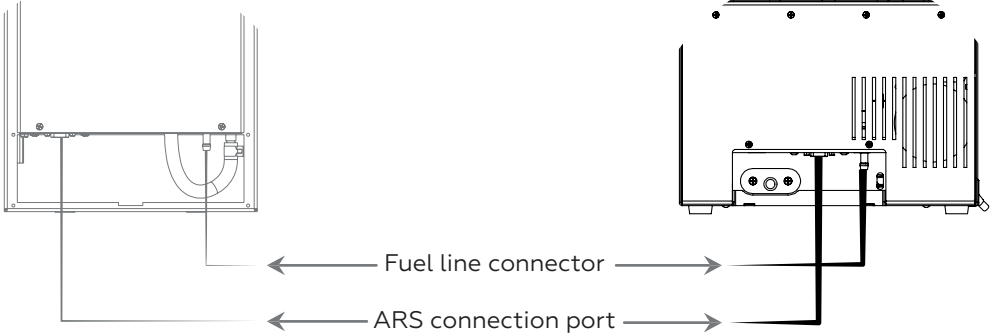
Installation of Mini ARS (Up and Down)



Connecting communications to the fireplace

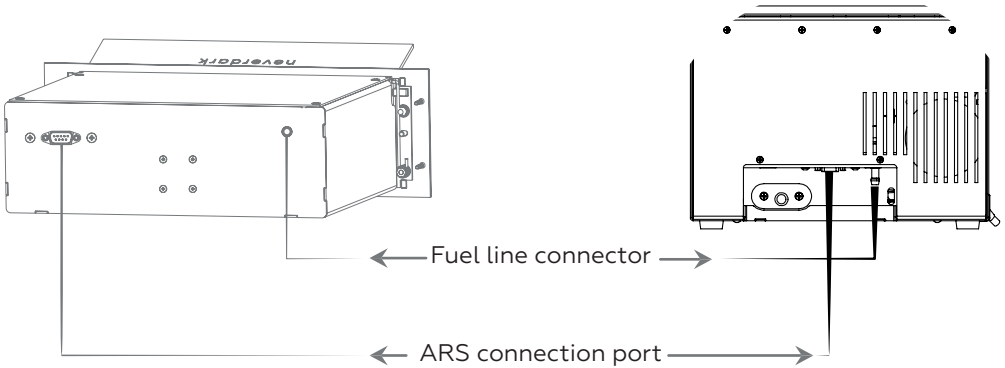
Standard ARS

Fireplace



Mini ARS

Fireplace



Installation of the fireplace

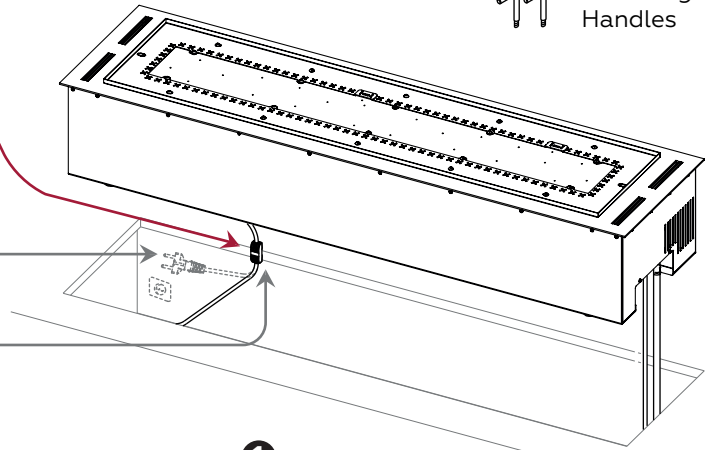


WARNING! 220V cable connection must be carried out by a qualified electrician.

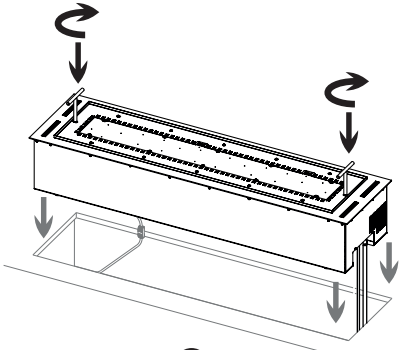
Mounting
Handles

Plug 220V
(option 1)

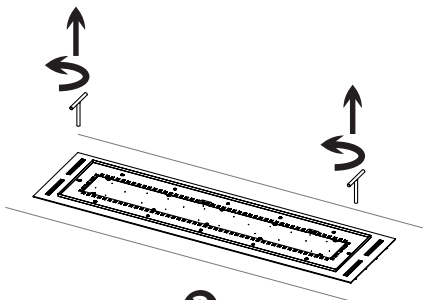
Cable 220V
3x2.5mm (option 2)



1



2



3

FEATURES

Technical information

Parameters	Fireplace model		
	Chalet-II (Ex) 700	Chalet-II (Ex) 950	Chalet-II (Ex) 1200
Tank volume, l	8,45	12,2	16,0
System volume, l	9,5	13,7	17,9
Consumption, l/h (min max)	0,4 0,7	0,6 1,0	0,8 1,3
Average consumption, l/h (min max)	0,6	0,8	1,1
Burning time, h (min max)	12,1 21,1	12,2 20,4	12,3 20,0
Room size, m ² (with without ventilation system)	19 48	27 68	35 88
Max power consumption, kW	0,9	0,95	1,25
Heat power, kW (min max)	2,6 4,6	3,9 6,5	5,2 8,5
Air consumption, m ³ /h (min max)	0,7 1,3	1,1 1,9	1,5 2,4
CO ₂ release, m ³ /h (min max)	0,3 0,6	0,5 0,8	0,6 1,0



**Read
USER MANUAL**



**Read
SAFETY INSTRUCTION**

Warnings



The manufacturer does not recommend placing objects that are sensitive to high temperatures above or next to the fireplace as this may significantly shorten their service lifetime.

In case the Technical Documentation and User Manual were not followed, the manufacturer would not be responsible for any damage to objects above or next to the fireplace.



ATTENTION! Kindly follow next rules while using the Neverdark fireplace:

- Keep away from children;
- Ensure that the wall/table/floor on which you place the appliance can withstand its weight;
- Install in a place protected from draughts only;
- Do not cover top or side ventilation grids;
- Do not place flammable objects on the appliance;
- Keep a carbon dioxide fire extinguisher within sight;
- The use of a separate electricity line with a fuse and/or circuit breaker is mandatory;
- For comfortable use of the fireplace it is necessary to ensure the supply of a fresh air into the room, as well as removal of a combustion products. It can be a ventilation extractor, recuperator or an opened window;
- Keep this Documentation in a safe place for the lifetime of the fireplace!

NEVERDARK LLC

11 Kopernika St.
Kyiv, Ukraine

neverdark.one