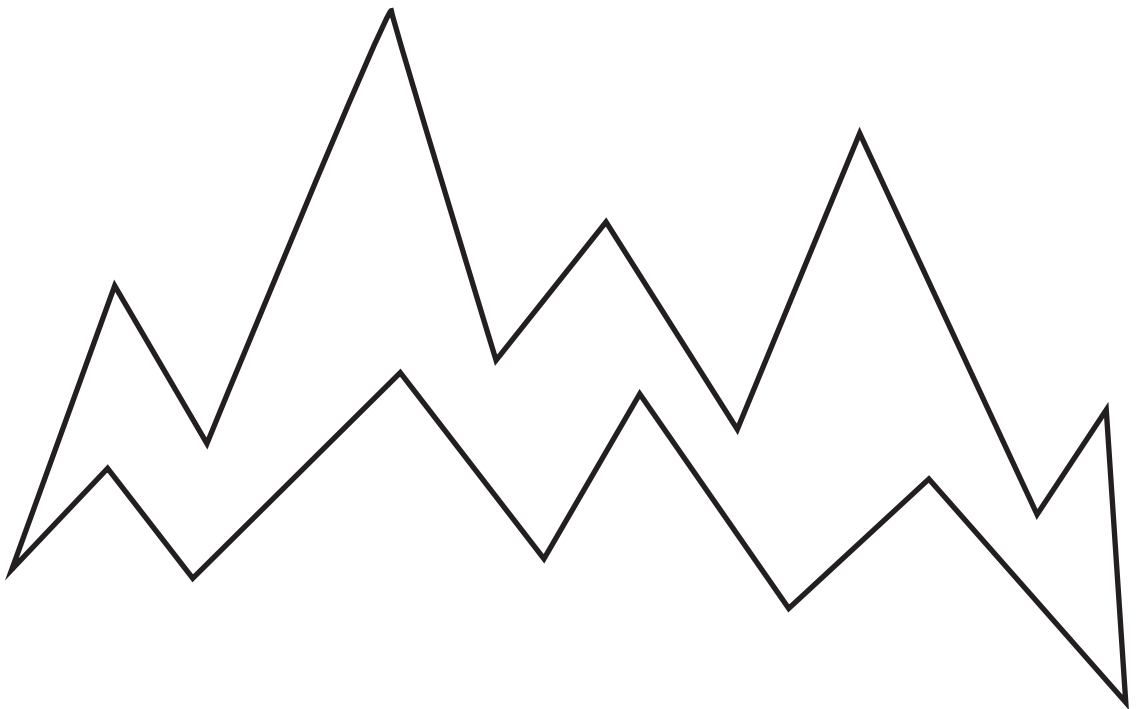


neverdark^x

Neverdark FIRETEC EFT

Smart fireplace



TECHNICAL DOCUMENTATION

CONTENT

04 CONFIGURATION	FIREPLACE
04 Standard configuration	
05 Optional Extra	
.....	
06 THERMOBOXES	
.....	
07 FIREPLACE INTERFACES	INSTALLATION
.....	
08 DIMENSIONS	
.....	
09 NICHE PREPARATION	INSTALLATION
09 Niche dimensions	
10 Niche requirements	
.....	
11 INSTALLATION	TECHNICAL INFORMATION
12 FEATURES	
12 Technical information	
13 Warnings	



ATTENTION! This document, along with the User Manual, is part of the device and is being delivered along with the fireplace (hereinafter collectively referred to as «Instructions»). If one or both of these documents weren't delivered with your fireplace, please contact the manufacturer prior to the installation and / or use of the fireplace.

- Make sure to read this Technical Documentation (hereinafter «Documentation») before using the fireplace!
- Keep this Documentation in a safe place for the lifetime of the fireplace!
- This appliance by design, method of operation, consumer properties and technical safety fully complies with the requirements of the European Standard EN 16647:2015



ATTENTION! Please follow local laws when using the appliance.

SYMBOLS



FIRE AND BURN HAZARD SIGN



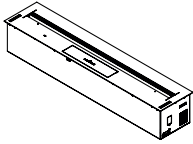

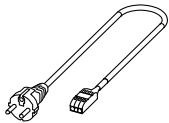
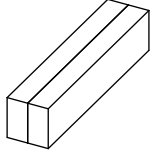
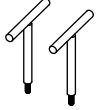

A WARNING SIGN indicates a potential for property damage, personal injury, or death



AN ATTENTION SIGN indicates important information

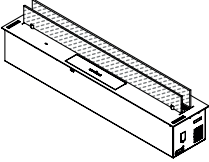
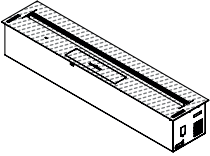
CONFIGURATION


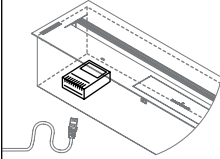
Standard configuration

	Smart fireplace (Standard top panel Black glossy)		Fuel hose
	1 pc		1 pc
	Power cable: Euro Plug – WAGO (fireplace length + 0.1m)		Packaging
	1 set		1 pc
	Mounting handles		Documentation
	2 pc		1 set

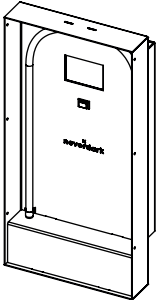
Optional extra

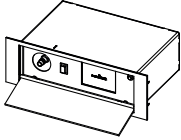
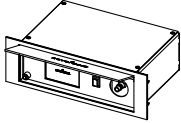
You can add any option listed below:

	Glass Border (one or two)
	code GB (1, 2)
	Custom Top (Matte (black), RAL Glossy, RAL Matte, Inox)
	code CT (M, RG, RM, I)

	Remote Control
	code RC
	Smart Home connection module
	code SH

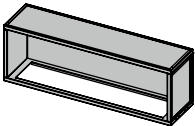
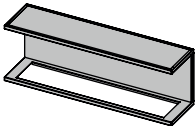
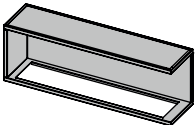
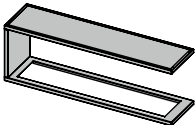
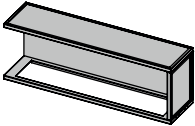
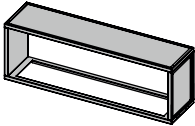
ARS (the external control and refuelling module) is available in three configurations:

	Standard ARS
	code S-ARS

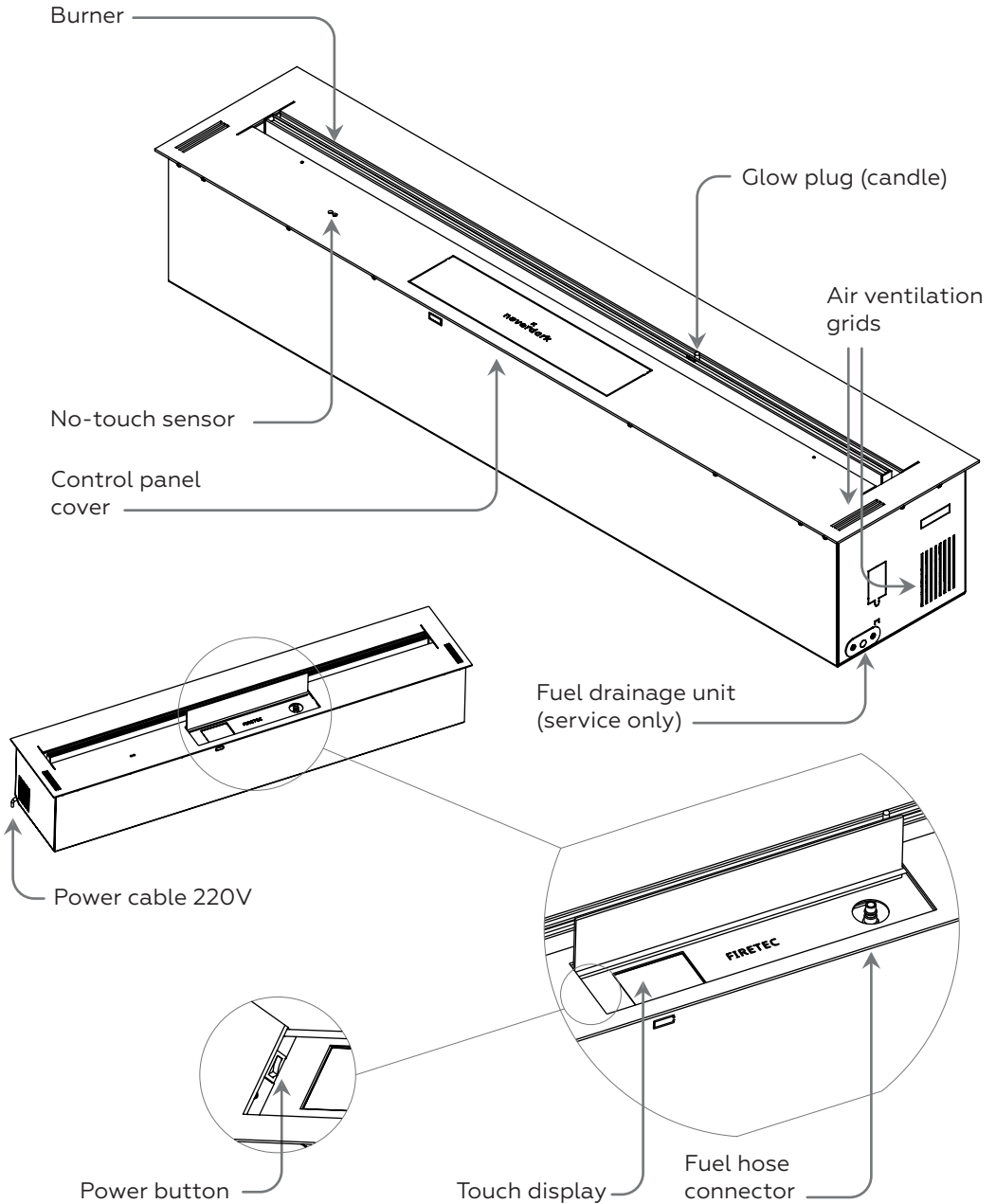
	Mini ARS (down)
	code M-ARS(down)
	Mini ARS (up)
	code M-ARS(up)

THERMOBOXES

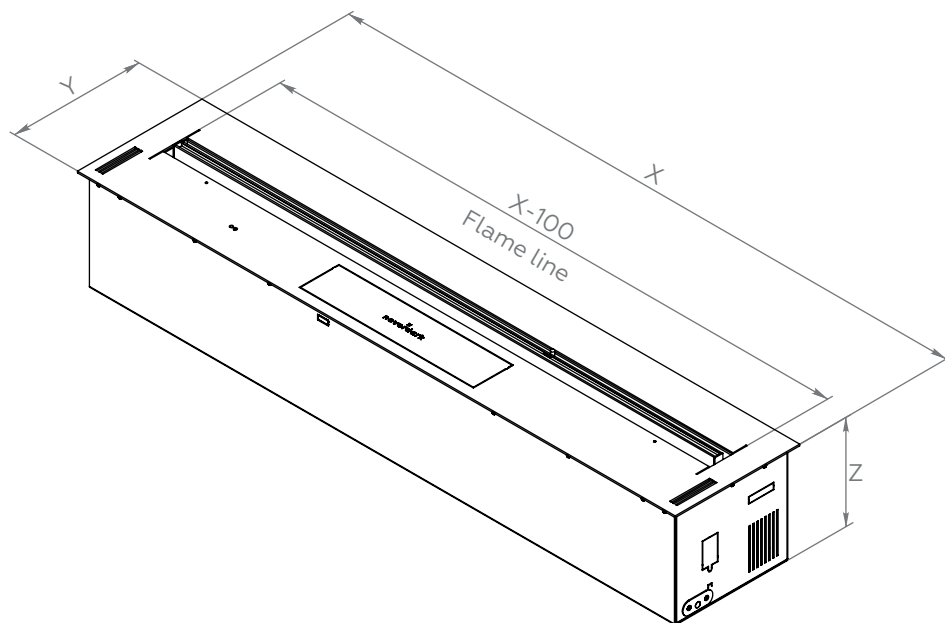
You can also choose the Neverdark Thermobox for your fireplace. The Thermobox can withstand temperatures up to 200°C, allowing you to choose any material for lining the niche.

	<p>Single-Sided</p> <p>code TSS</p>		<p>Three-Sided</p> <p>code TTS</p>
	<p>Right Corner</p> <p>code TRC</p>		<p>Room Divider</p> <p>code TRD</p>
	<p>Left Corner</p> <p>code TLC</p>		<p>See-Through</p> <p>code TST</p>

FIREPLACE INTERFACES



DIMENSIONS

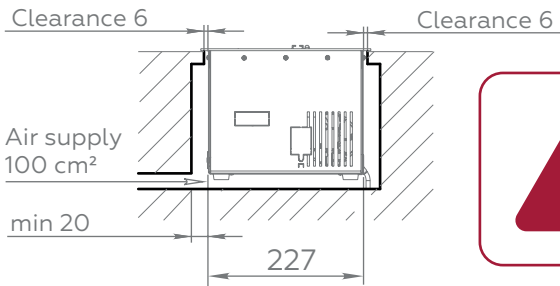
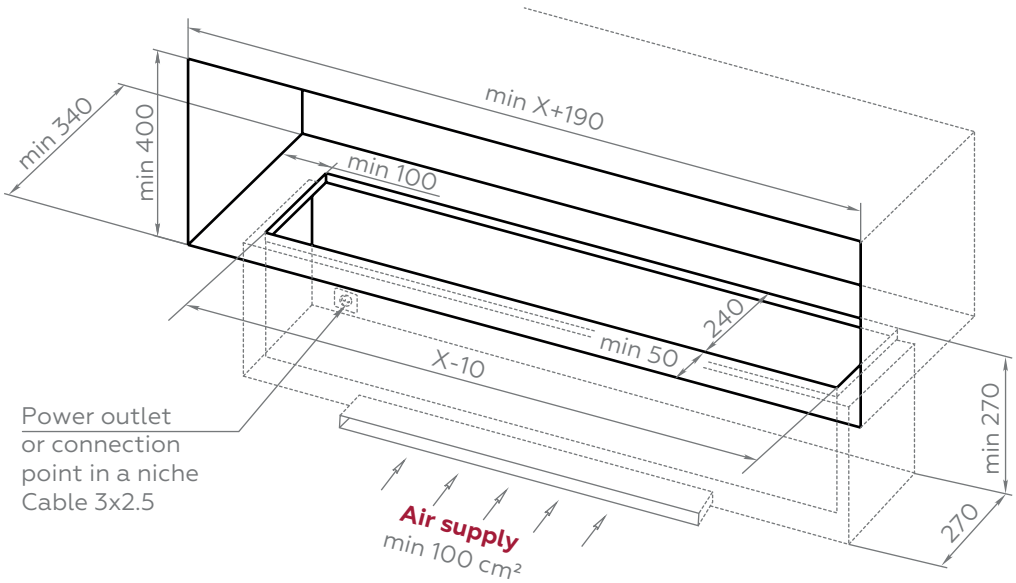


Standard range

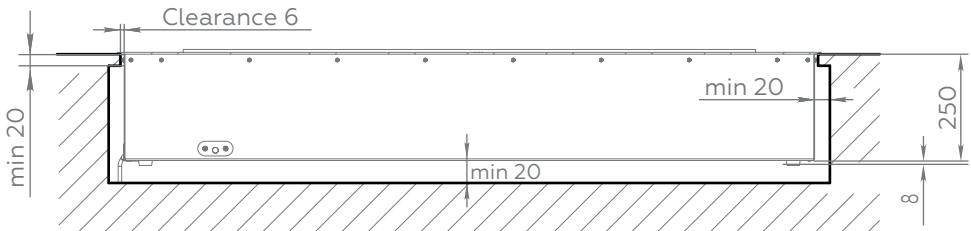
		X	Y	Z	
Model	Code	Length, mm	Depth, mm	Height, mm	Weight, kg
Firetec 700	F7.EFT	700	250	255	25
Firetec 800	F8.EFT	800			28
Firetec 1000	F10.EFT	1000			34
Firetec 1200	F12.EFT	1200			40
Firetec 1500	F15.EFT	1500			48
Firetec 2000	F20.EFT	2000			65
Firetec 2500	F25.EFT	2500			82

NICHE PREPARATION

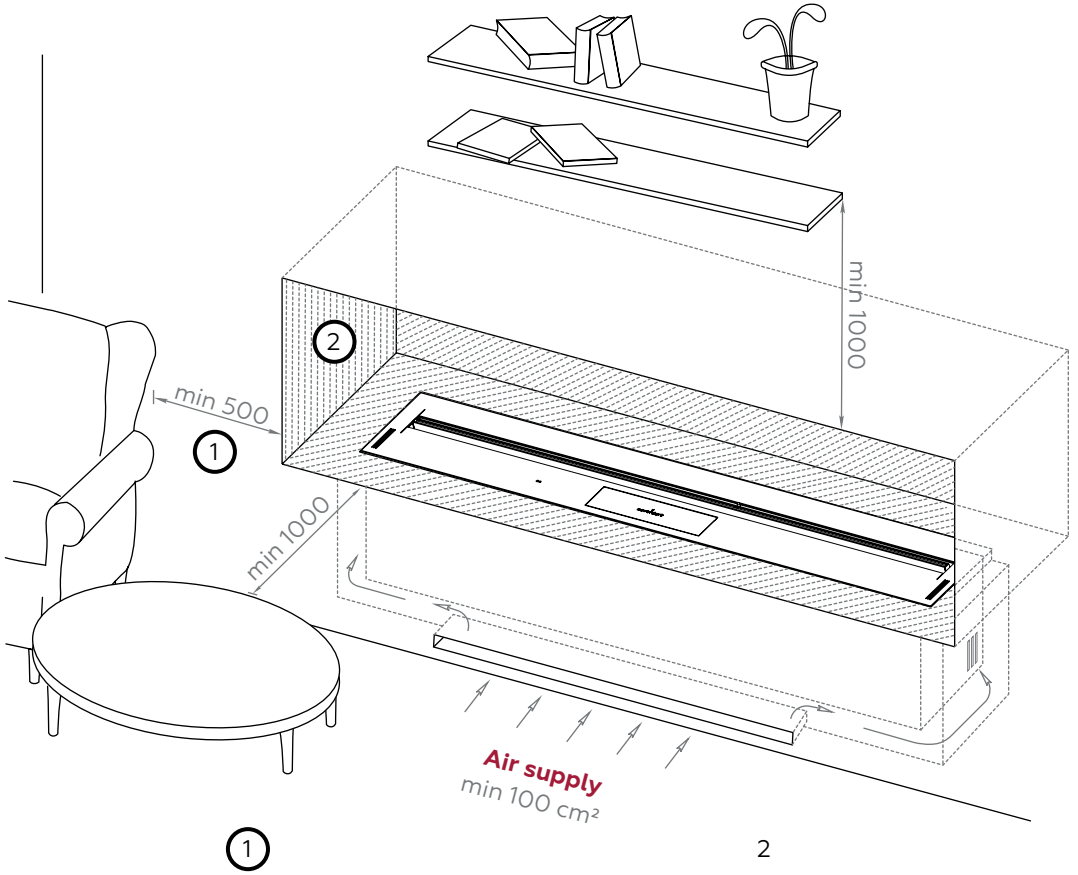
Niche dimensions



WARNING! For correct operation of the smart fireplace, it must be installed 100% horizontally according to the level!



Niche requirements



WARNING!

Min 1000 mm to flammable objects from any exposed side of the niche.

Min 500 mm to flammable objects from any closed side of the niche.



WARNING!

Heat-resistant material which withstands 150°C at least.

Alternatively, a non heat-resistant material + Neverdark Thermobox

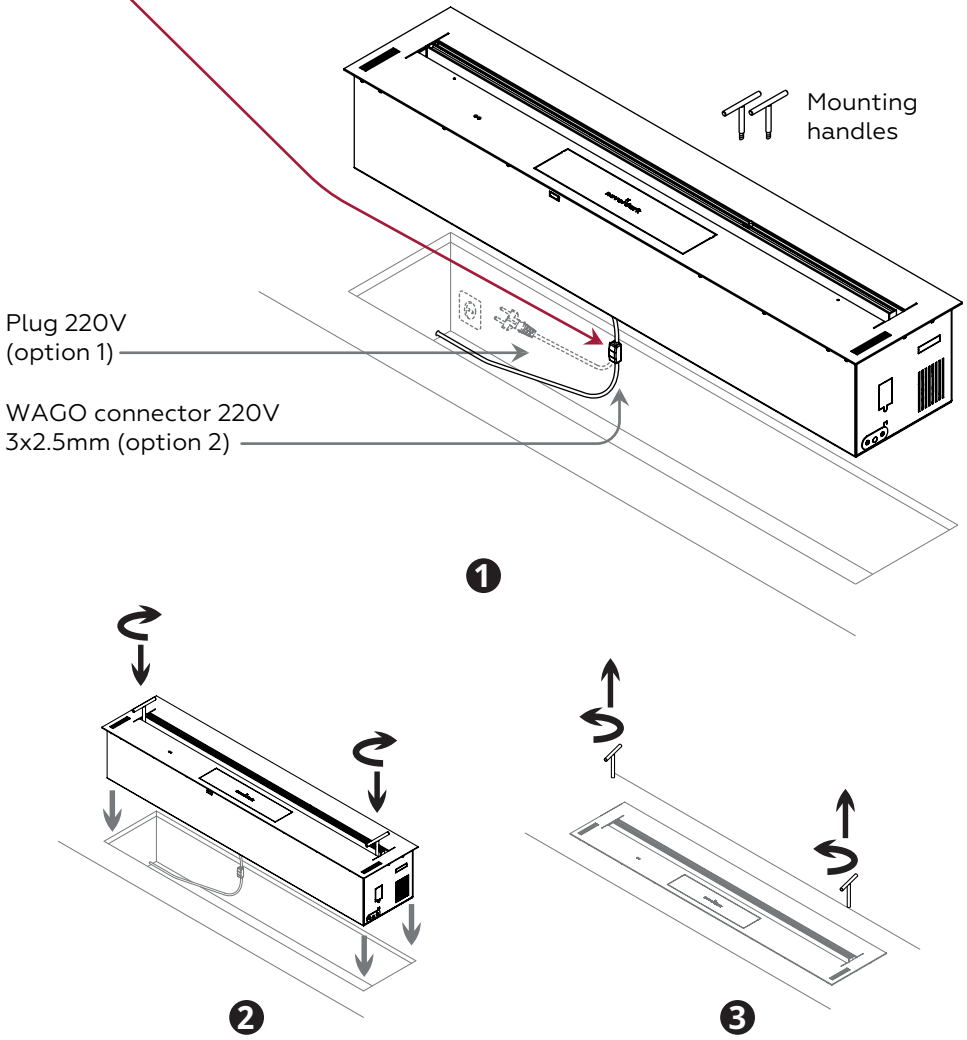


WARNING! For safe and correct operation of the fireplace it is mandatory to provide an air supply opening (100 cm² at least) in the lower part of the niche.

INSTALLATION



WARNING! 220V cable connection must be carried out by a qualified electrician.



FEATURES

Technical information

Parameters	Fireplace model						
	Firetec 700	Firetec 800	Firetec 1000	Firetec 1200	Firetec 1500	Firetec 2000	Firetec 2500
Tank volume, l	6,0	6,8	8,3	9,8	12,1	15,8	19,5
System volume, l	6,7	7,6	9,3	10,9	13,5	17,6	21,9
Consumption, l/h (min max)	0,4 0,8	0,4 1,0	0,6 1,5	0,7 1,8	1,9 2,0	1,2 2,5	1,9 4,5
Average consumption, l/h (min max)	0,6	0,7	1,1	1,3	1,5	1,9	3,2
Burning time, h (min max)	7,5 15,0	6,8 16,9	5,5 13,8	5,4 14,0	6,0 13,4	6,3 13,1	4,3 10,3
Room size, m ² (with without ventilation system)	22 54	27 68	41 102	49 122	54 136	68 170	122 306
Max power consumption, kW	0,55	0,55	0,9	0,9	1,0	1,4	1,8
Heat power, kW (min max)	2,6 5,2	2,6 6,5	3,9 9,8	4,6 11,7	5,9 13,0	7,8 16,3	12,4 29,3
Air consumption, m ³ /h (min max)	0,7 1,5	0,7 1,9	1,1 2,8	1,3 3,3	1,7 3,7	2,2 4,6	3,5 8,3
CO ₂ release, m ³ /h (min max)	0,3 0,6	0,3 0,8	0,5 1,2	0,6 1,4	0,7 1,6	1,0 2,0	1,5 3,6

Warnings



The manufacturer does not recommend placing objects that are sensitive to high temperatures above or next to the fireplace as this may significantly shorten their service lifetime.

In case the Technical Documentation and User Manual were not followed, the manufacturer would not be responsible for any damage to objects above or next to the fireplace.



ATTENTION! Kindly follow next rules while using the Neverdark fireplace:

- Keep away from children;
- Ensure that the wall/table/floor on which you place the appliance can withstand its weight;
- Install in a place protected from draughts only;
- Do not cover top or side ventilation grids;
- Do not place flammable objects on the appliance;
- Keep a carbon dioxide fire extinguisher within sight;
- The use of a separate electricity line with a fuse and/or circuit breaker is mandatory;
- For comfortable use of the fireplace it is necessary to ensure the supply of a fresh air into the room, as well as removal of a combustion products. It can be a ventilation extractor, recuperator or an opened window;
- Keep this Documentation in a safe place for the lifetime of the fireplace!

NEVERDARK LLC

11 Kopernika St.
Kyiv, Ukraine

neverdark.one