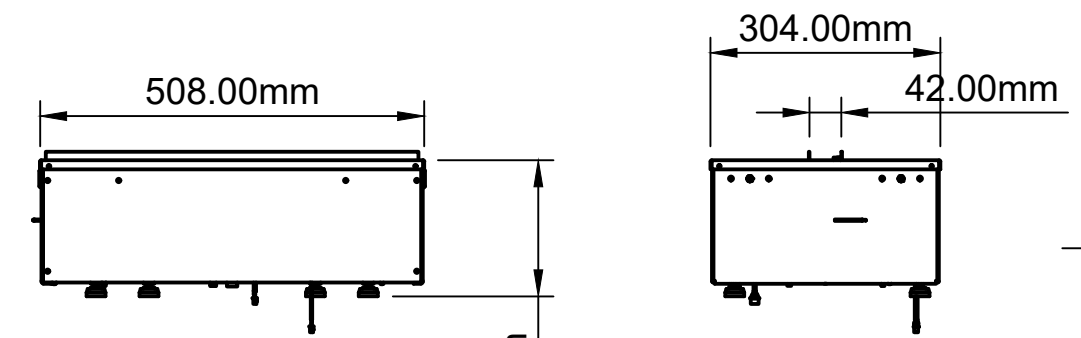
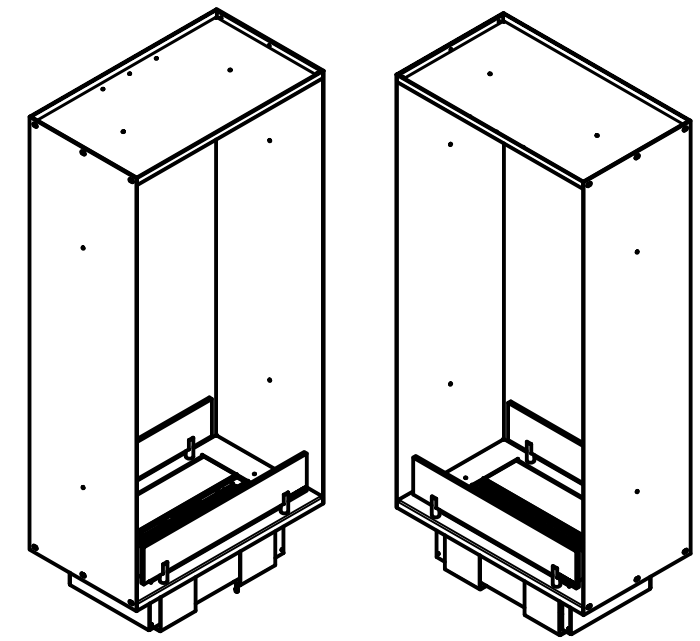
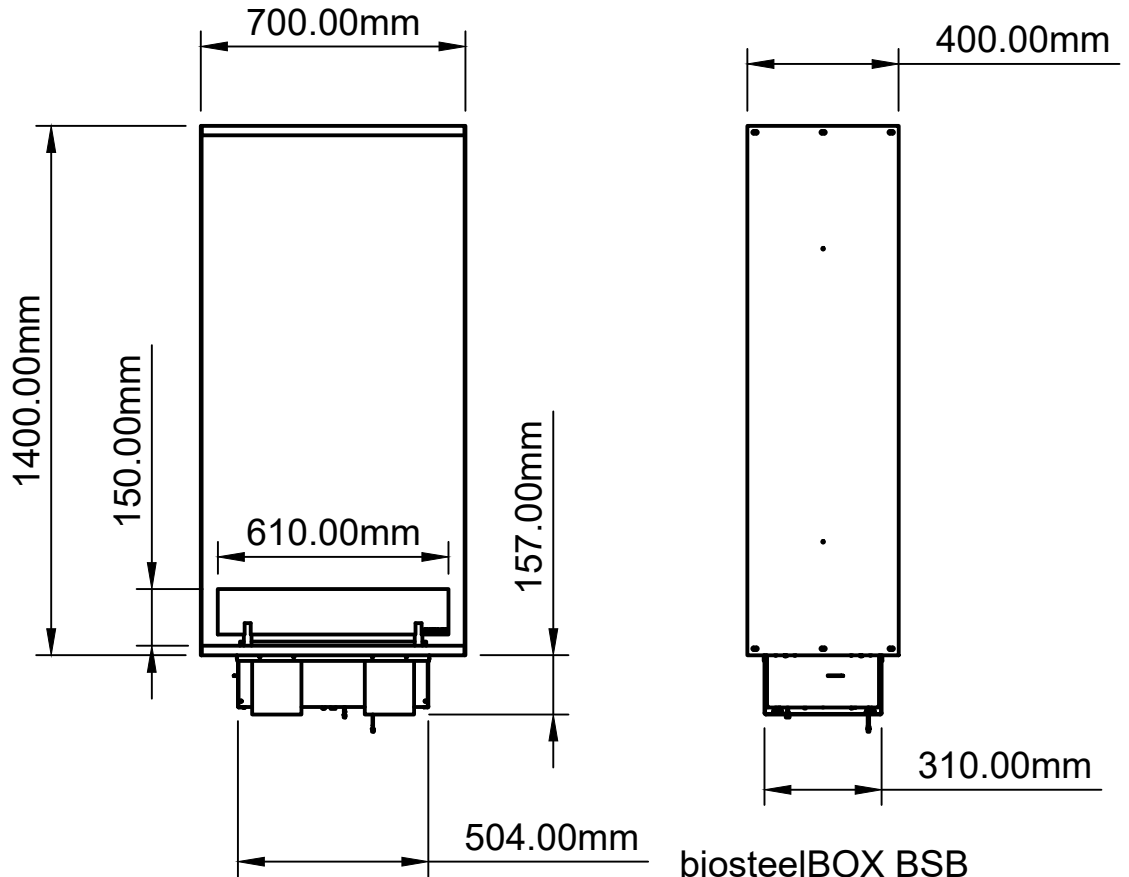
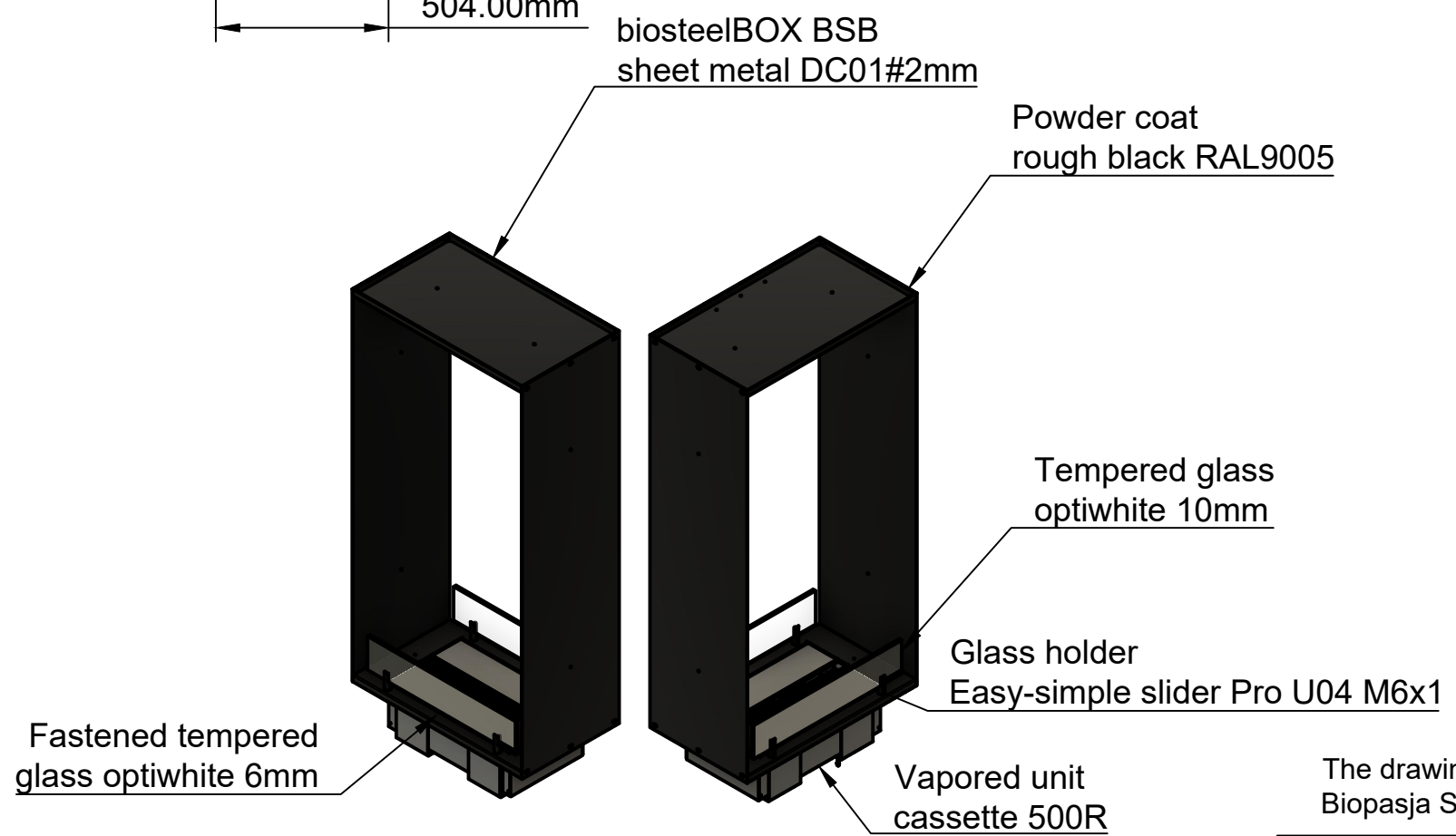
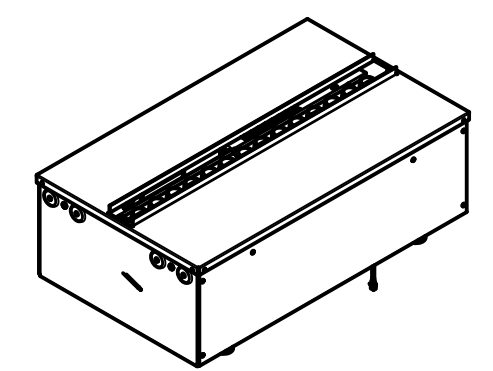


1 2 3 4 5 6 7 8

A
B
C
D
E
F



cassette 500R

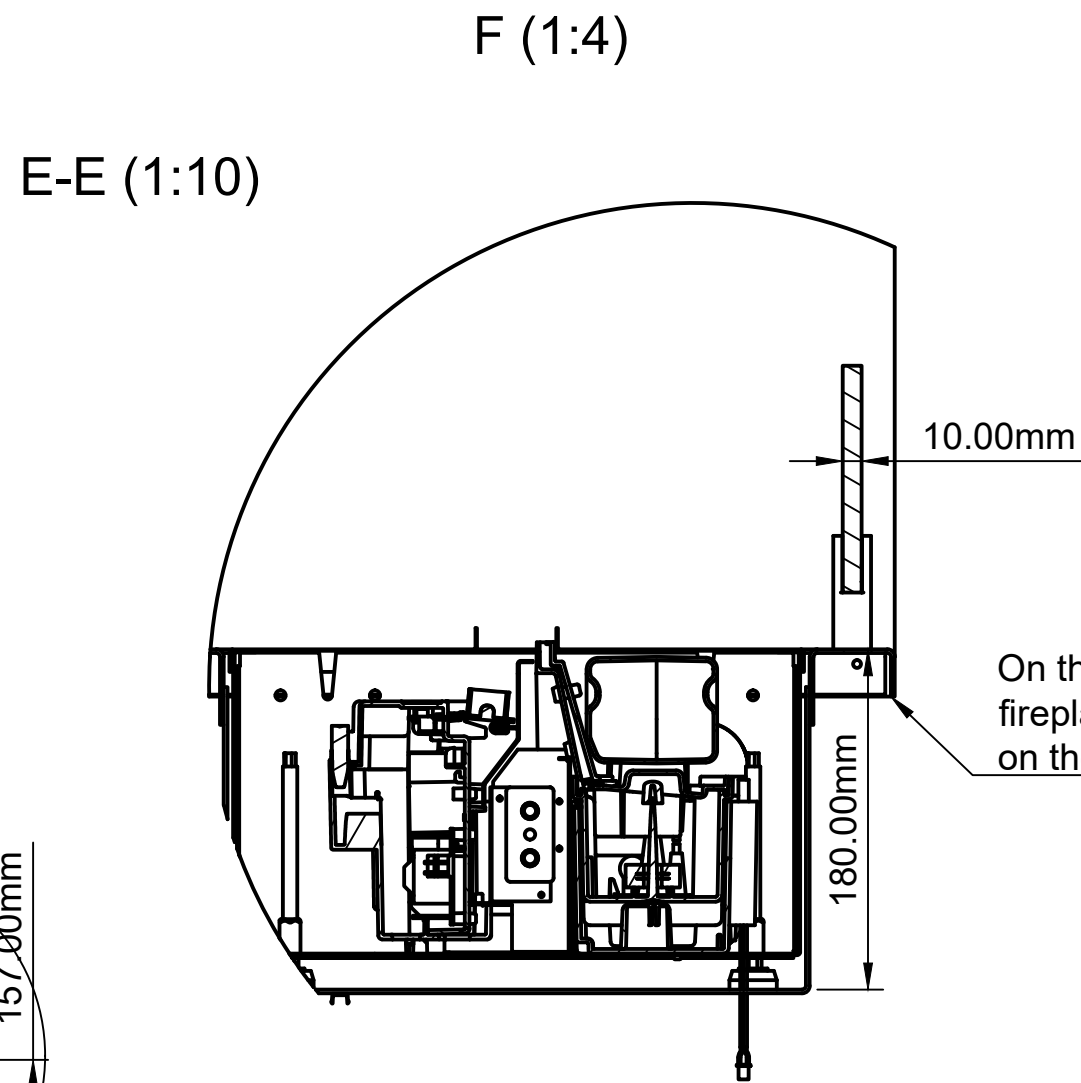
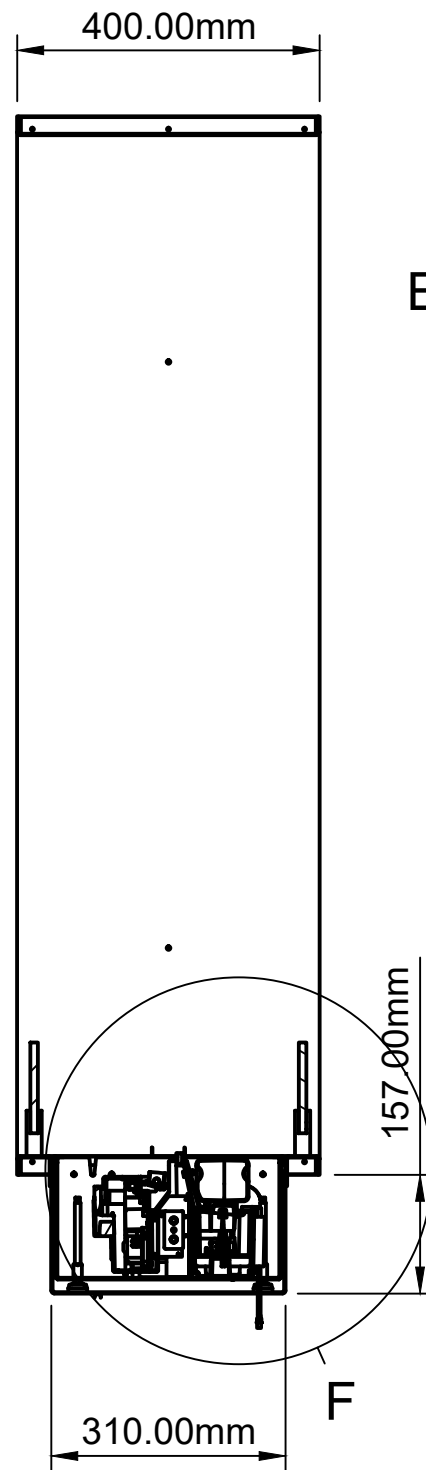
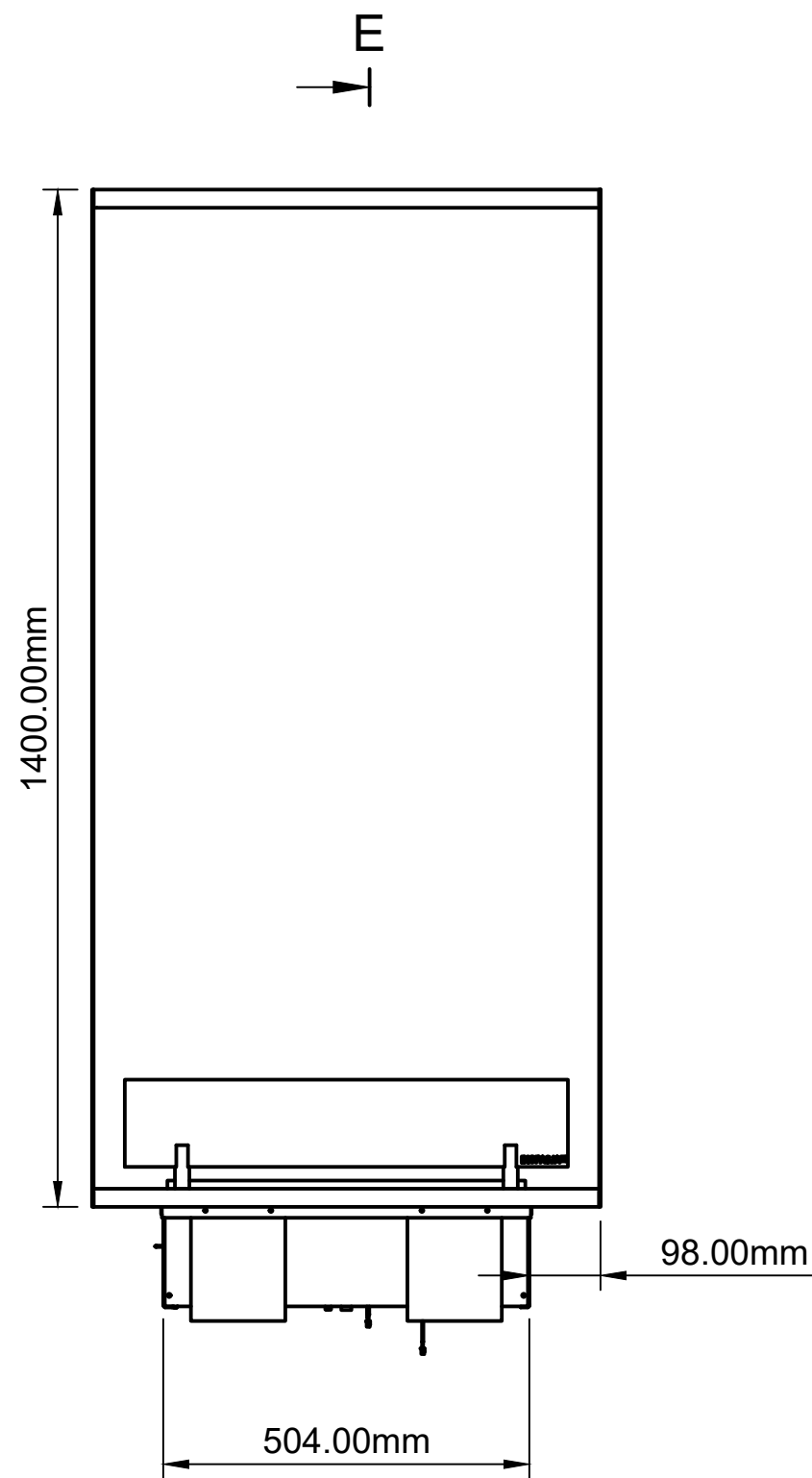


The drawing is subject to copyright Biopasja Sp. z o.o. Industrial design protection own by Biopasja Sp. z o.o RCD002681213 & Concealed latches NEOPRO - PATENT no. P.427092

BSB DFP 700x1400x400 4xU04 Cassette 500R				Project No
				BSB DFP 700x1400x400 4xU04 Cassette 500R v6
				Drawing No
				1/2
Scale	Format	Drawn by	Drawn date	BIOPASJA
1:20			09/02/2024	
Rev.	Approved by	Rev. by	Rev. Date	
This drawing is our exclusive property and may not without our consent be utilized, reproduced, transmitted or communicated to a third party.				

LOOKING FOR PRICES - SEE ON QUALITY AND SAFETY WE STANDS FOR 15 YEARS OF EXPERIENCE

1 2 3 4 5 6 7 8



The drawing is subject to copyright Biopasja Sp. z o.o. Industrial design protection own by Biopasja Sp. z o.o RCD002681213 & Concealed latches NEOPRO - PATENT no. P.427092

BSB DFP 700x1400x400 4xU04 Cassette 500R				Project No
				BSB DFP 700x1400x400 4xU04 Cassette 500R v6
				Drawing No
				2/2
Scale	Format	Drawn by	Drawn date	
1:10			09/02/2024	
Rev.	Approved by	Rev. by	Rev. Date	
This drawing is our exclusive property and may not without our consent be utilized, reproduced, transmitted or communicated to a third party.				

LOOKING FOR PRICES - SEE ON QUALITY AND SAFETY WE STANDS FOR 15 YEARS OF EXPERIENCE