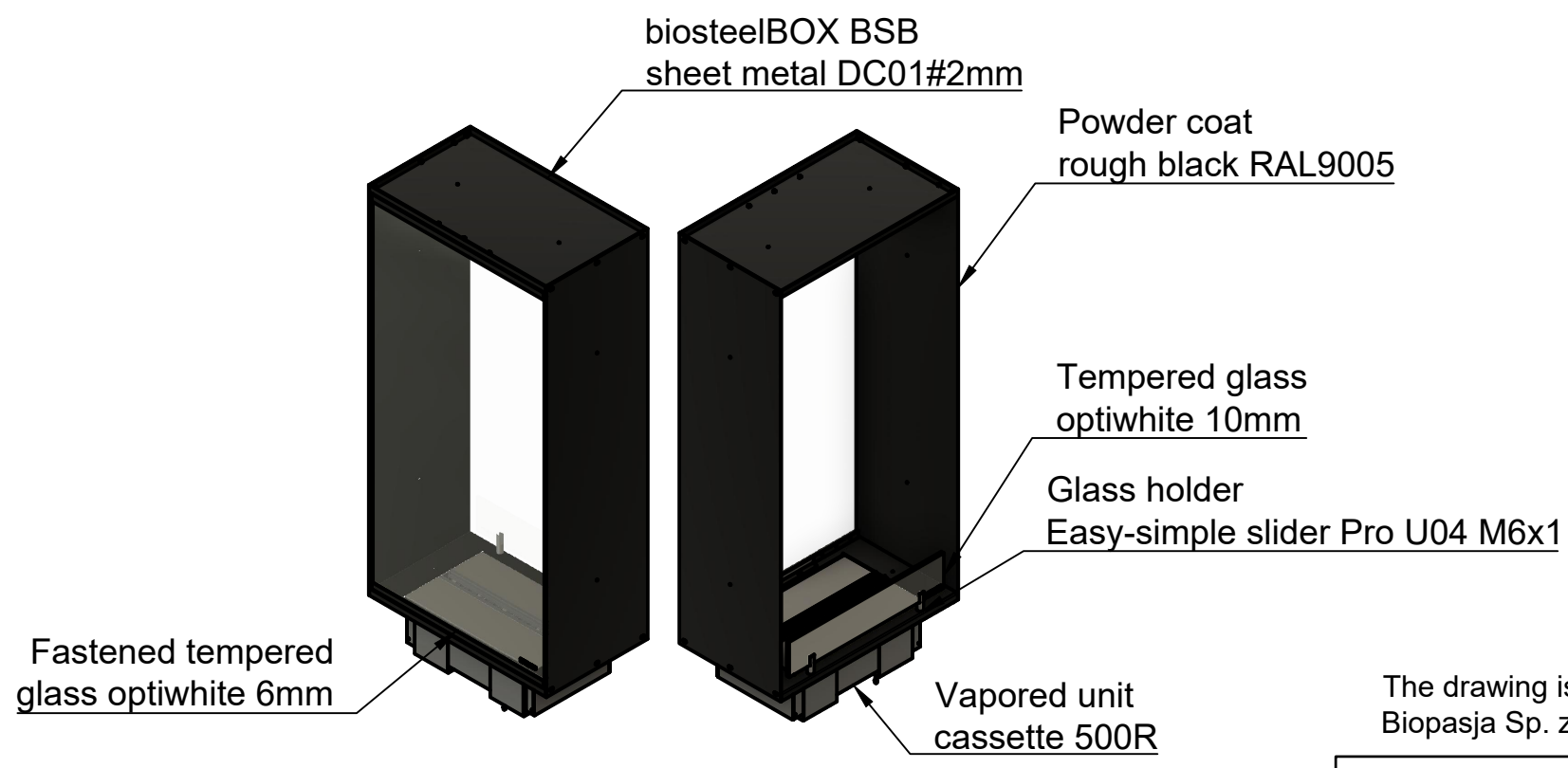
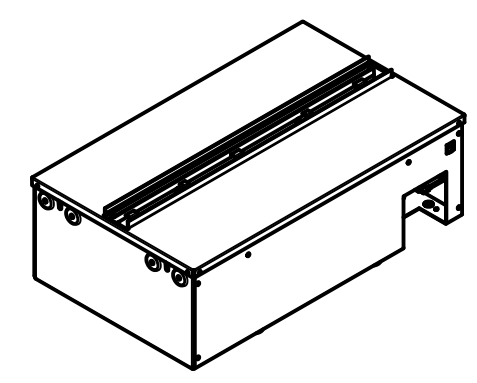
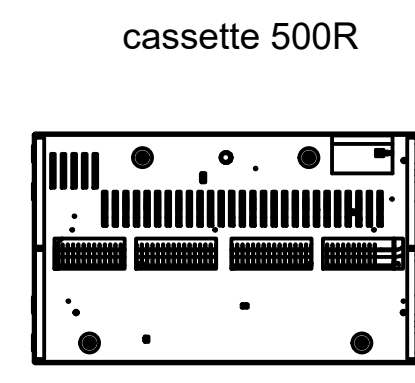
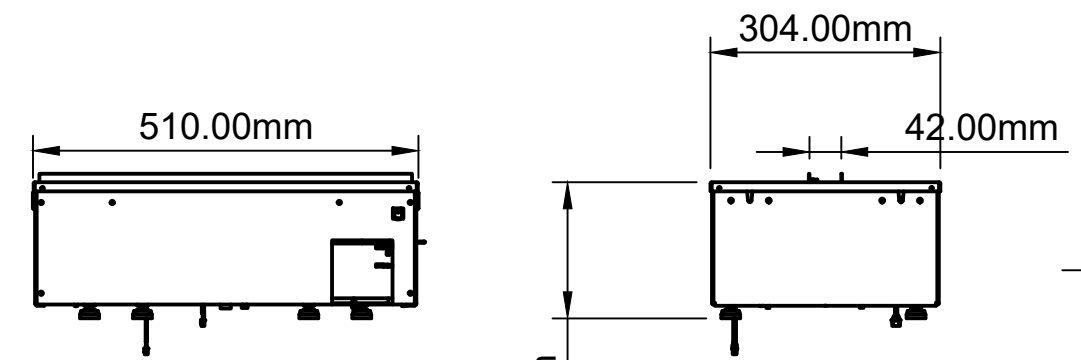
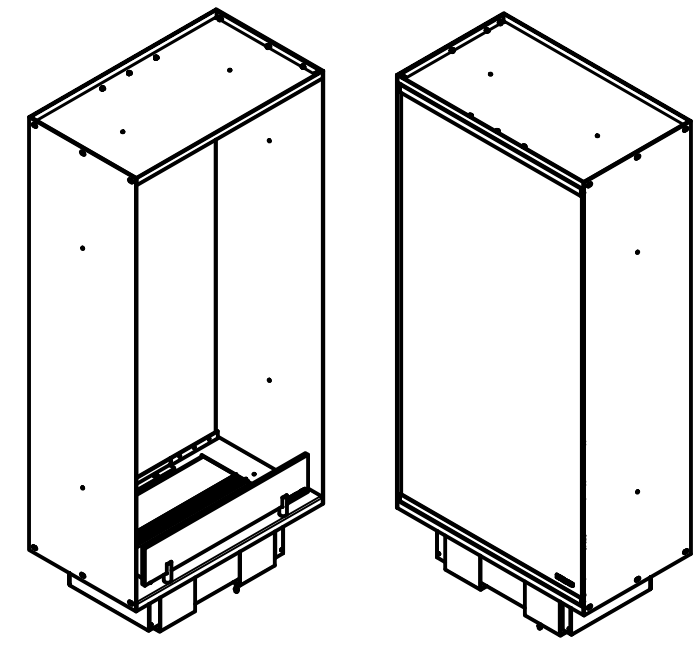
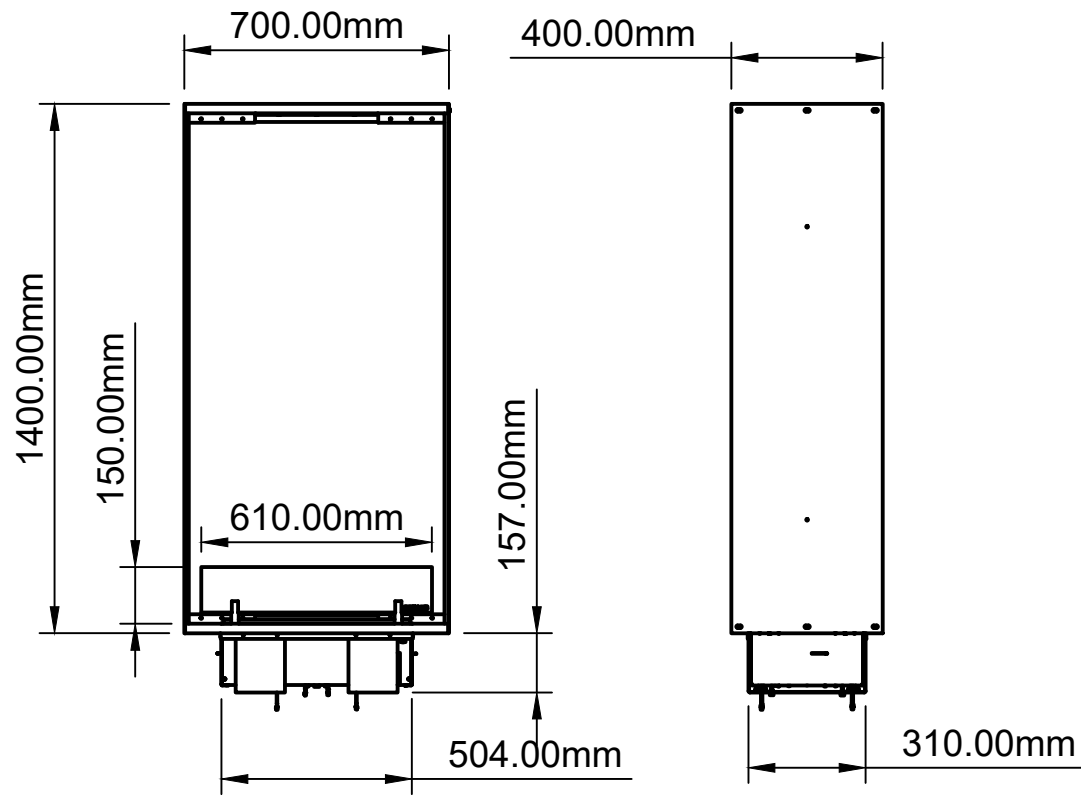


1 2 3 4 5 6 7 8

A
B
C
D
E
F

A
B
C
D
E
F



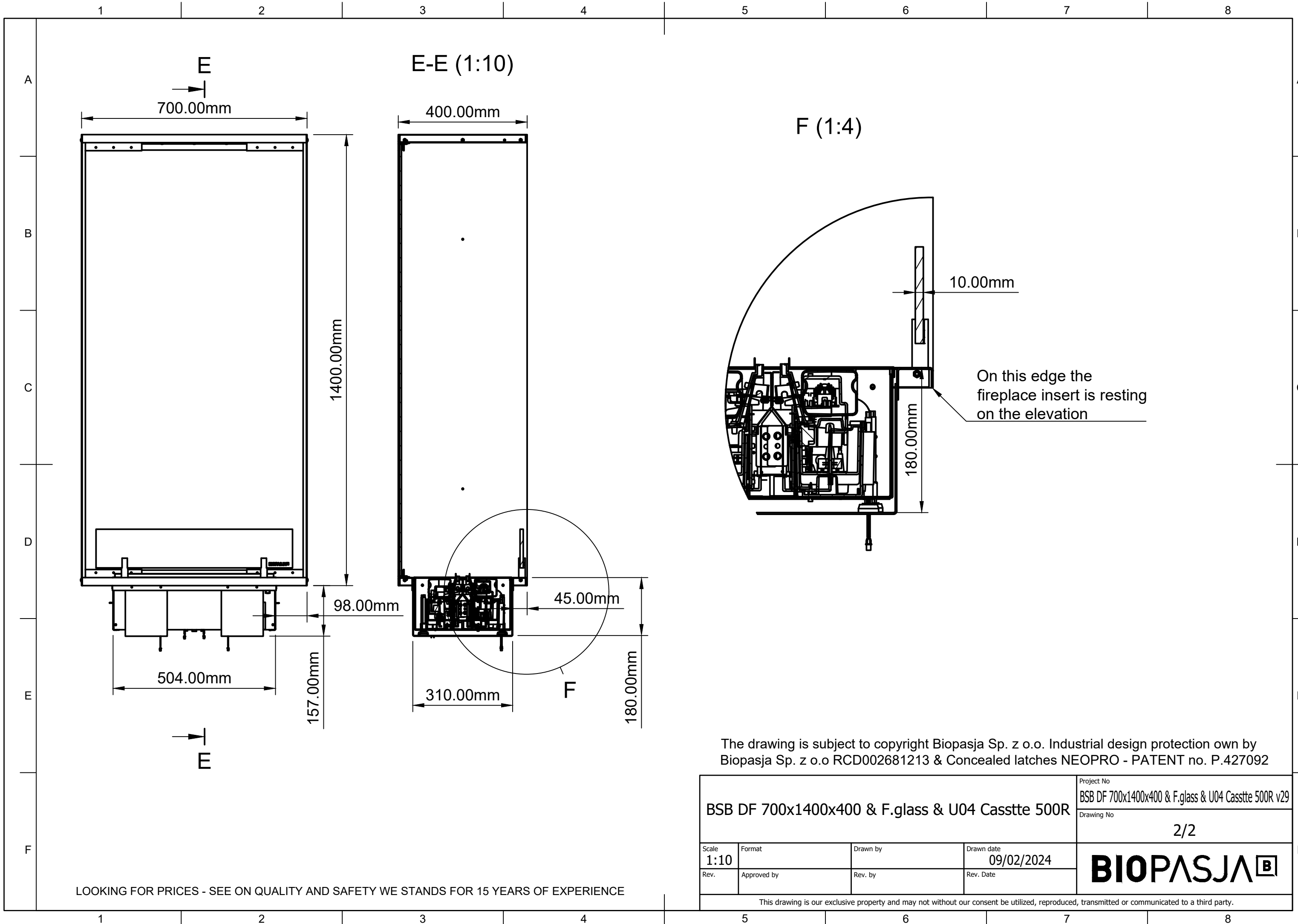
The drawing is subject to copyright Biopasja Sp. z o.o. Industrial design protection own by Biopasja Sp. z o.o RCD002681213 & Concealed latches NEOPRO - PATENT no. P.427092

BSB DF 700x1400x400 & F.glass & U04 Casstte 500R				Project No
				BSB DF 700x1400x400 & F.glass & U04 Casstte 500R v29
				Drawing No
				1/2
Scale	Format	Drawn by	Drawn date	BIOPASJA
1:20			09/02/2024	
Rev.	Approved by	Rev. by	Rev. Date	

LOOKING FOR PRICES - SEE ON QUALITY AND SAFETY WE STANDS FOR 15 YEARS OF EXPERIENCE

This drawing is our exclusive property and may not without our consent be utilized, reproduced, transmitted or communicated to a third party.

1 2 3 4 5 6 7 8



The drawing is subject to copyright Biopasja Sp. z o.o. Industrial design protection own by Biopasja Sp. z o.o RCD002681213 & Concealed latches NEOPRO - PATENT no. P.427092

BSB DF 700x1400x400 & F.glass & U04 Casstte 500R				Project No
				BSB DF 700x1400x400 & F.glass & U04 Casstte 500R v29
				Drawing No
				2/2
Scale	Format	Drawn by	Drawn date	BIOPASJA
1:10			09/02/2024	
Rev.	Approved by	Rev. by	Rev. Date	
This drawing is our exclusive property and may not without our consent be utilized, reproduced, transmitted or communicated to a third party.				

LOOKING FOR PRICES - SEE ON QUALITY AND SAFETY WE STANDS FOR 15 YEARS OF EXPERIENCE