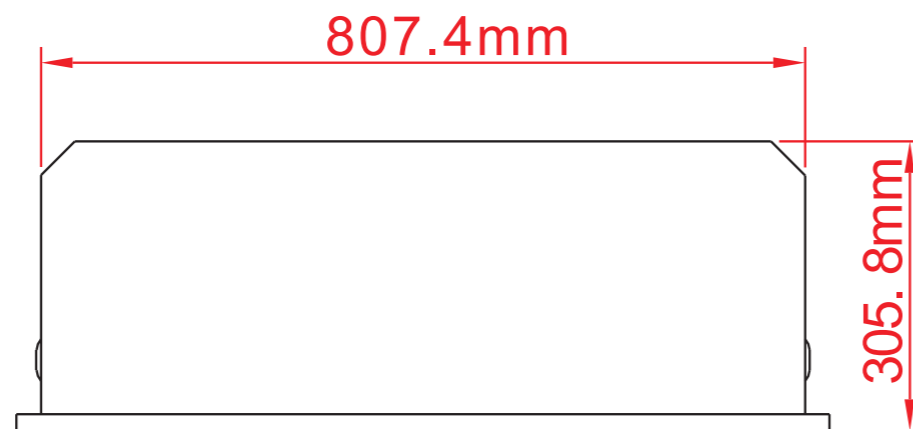
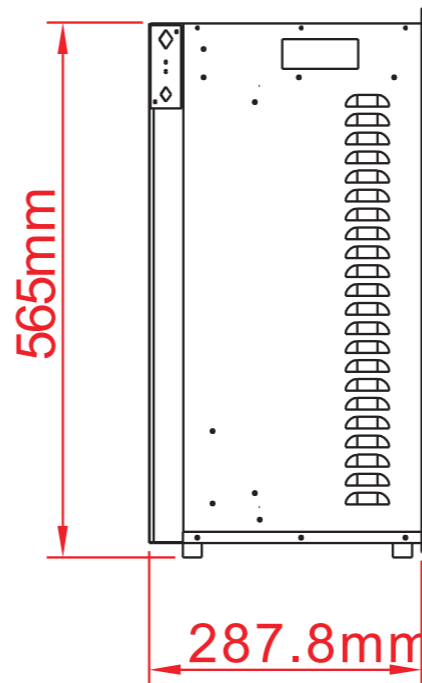
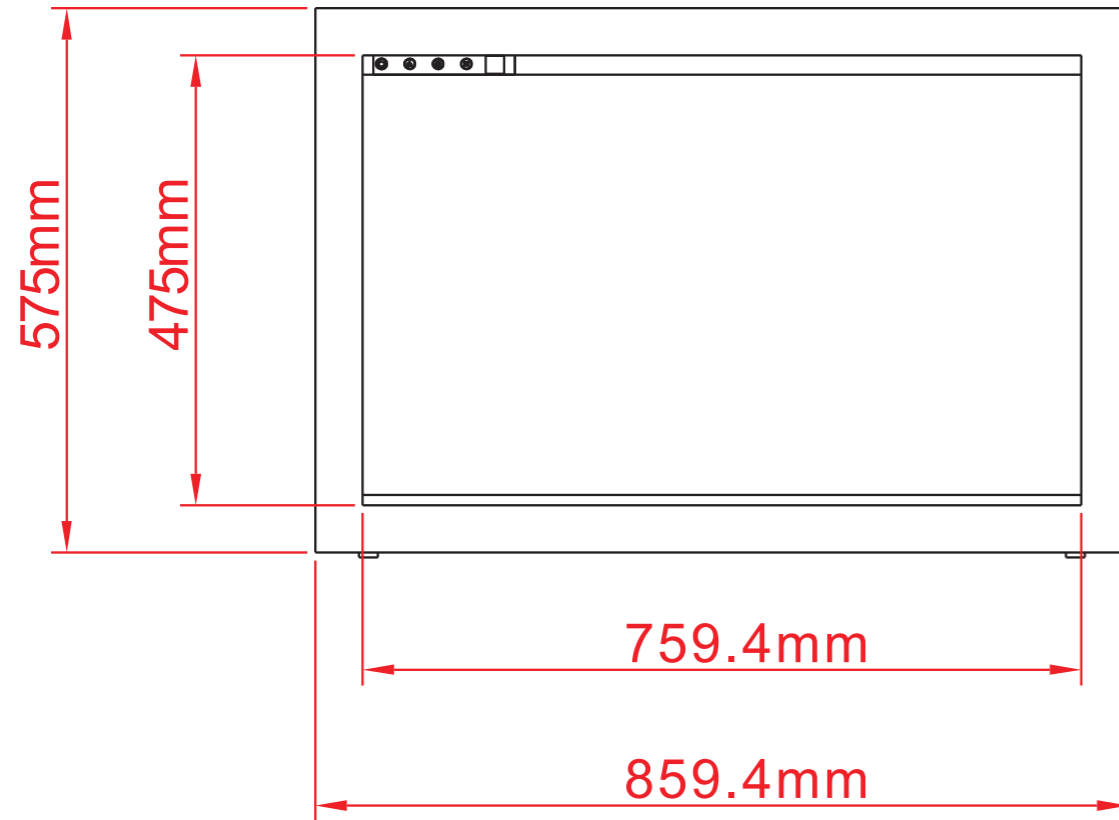


TECHNICAL SPECIFICATIONS

VOLTS	220-240 V 50/60Hz	
AMPS	6.25	
WATTS	1260W-1500W	
HEATER	HIGH	1500 watts
	LOW	750 watts
NO HEATER	22 watts	
LAMPS	TYPE	LED
	WATTS	
	TOTAL WATTS	22 watts
ROTOR MOTOR	1 at 5 watts	
HEIGHT,WIDTH,DEPTH	22 1/4" x 31 3/4" x 11 3/8"	
GLASS VIEWING OPENING	18 3/4" X 29 7/8"	
GLASS SIZE	18 3/4" X 29 7/8"	
SHIPPING SIZE	24 5/8" x 36 2/8" x 14 5/8"	
SHIPPING WEIGHT	60.6 lbs	
	UNIT	
	GLASS FRONT	Included
PLUG LOCATION	Left Side	
CORD LENGTH	76"	
APPROX. HEATING AREA	400 sq ft	

Amantii

SERIES	MODEL	CE	REV
TRADITIONAL	TRD-33		1
SCALE 1"=1'-0"	DATE: 8/5/2019	SHEET 1 OF 1	



TECHNICAL SPECIFICATIONS

VOLTS	220-240 V 50/60Hz	
AMPS	6.25	
WATTS	1260W-1500W	
HEATER	HIGH	1500 watts
	LOW	750 watts
NO HEATER	22 watts	
LAMPS	TYPE	LED
	WATTS	
	TOTAL WATTS	22 watts
ROTOR MOTOR	1 at 5 watts	
HEIGHT,WIDTH,DEPTH	56.5 x 80.7 x 28.8 cm	
GLASS VIEWING OPENING	47.5 X 75.9 cm	
GLASS SIZE	47.5 X 75.9 cm	
SHIPPING SIZE	62.5 x 92.2 x 37 cm	
SHIPPING WEIGHT	UNIT	27.5 Kgs
	GLASS FRONT	Included
PLUG LOCATION	Left Side	
CORD LENGTH	193 cm	
APPROX. HEATING AREA	37 sqm	

Amantii

SERIES TRADITIONAL	MODEL TRD-33	CE	REV 1
SCALE 1:12	DATE: 8/5/2019		SHEET 1 OF 1