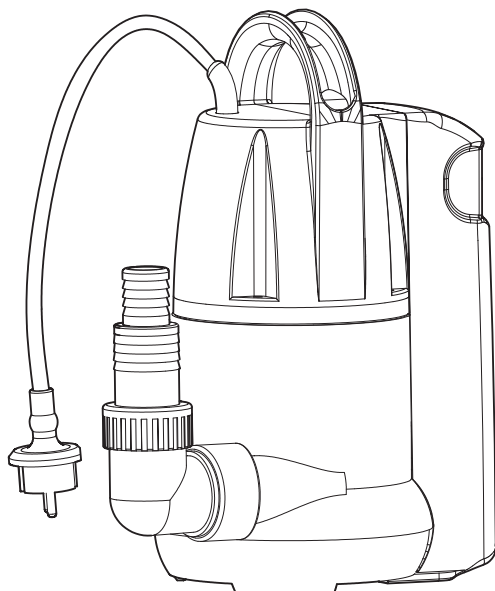


# Submersible pump



**AF250 INTERN FLOATER(RD348)**

Dear Customer,

We thank you for the trust you put in our products!

Your new appliance was designed and manufactured to the current state of the art,

Read these instructions for use carefully before using the appliance for the first time! These instructions contain all information necessary to safely use this appliance and provide for its extended lifespan. Please make sure to observe all safety information included in these instructions!

---

## **Table of contents**

<b>Before you begin...</b> . . . . .	<b>02</b>
<b>For your safety</b> . . . . .	<b>03</b>
<b>Your appliance at a glance</b> . . . . .	<b>04</b>
<b>Operation</b> . . . . .	<b>04</b>
<b>Cleaning and maintenance</b> . . . . .	<b>05</b>
<b>Storing</b> . . . . .	<b>06</b>
<b>Disposal</b> . . . . .	<b>06</b>
<b>Malfunctions and troubleshooting</b> . . . . .	<b>06</b>
<b>Technical data</b> . . . . .	<b>08</b>

---

## **Before you begin...**

### **Intended use**

The appliance is intended for pumping rainwater, fresh water, mains water and chlorinated swimming pool water.

It must not be used for the drinking water supply or for the delivery of foodstuffs.

Explosive, flammable, aggressive or health-hazardous substances and faecal matter must not be pumped.

The appliance is not suitable for commercial or industrial use.

The appliance is not suitable for continuous running (e. g. permanent circulation in filter systems). It is also not suitable for use with liquids containing abrasive materials (e. g. sand) or containing mixtures of dirt, sand, mud or clay.

Any other use is considered improper. Unpredictable damage can occur as a result of improper use, modifications to the appliance or due to the use of parts which have not been tested and approved by the manufacturer!

What do the symbols used mean?

Danger notices and information are clearly marked throughout these instructions for use. The following symbols are used:



### **Type and source of the danger!**

Failure to observe this danger notice may cause physical injury or death.

**Type and source of the danger!**

This danger notice warns of damage to the appliance, the environment or other property.

**Note:**

this symbol signifies information that may help you reach a better understanding of the processes involved.

---

## For your safety

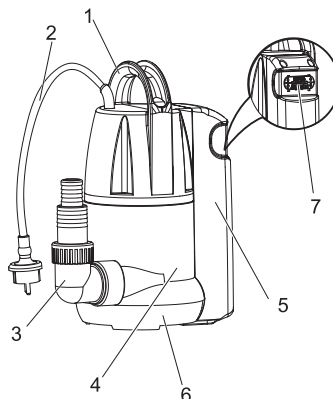
### General safety instructions

- To operate this appliance safely, the user must have read and understood these instructions for use before using the appliance for the first time.
- Always keep the operating instructions within reach.
- If you sell or pass the appliance on, you must also hand over these operating instructions.
- Observe all safety instructions! Failure to do so may cause harm to you and others.
- Do not use the appliance in potentially explosive areas or in the vicinity of flammable liquids or gases!
- Do not touch the mains plug with wet hands! Always disconnect the mains plug by pulling the plug and not the cable.
- The connection must be made to earthed sockets which have been properly installed, earthed and tested. Mains voltage and fuse must comply with the technical data.
- During operation for swimming pools, garden ponds and similar places, the appliance must be equipped with a residual current circuit breaker (RCCB) with a design fault current of not more than 30 mA.
- Do not kink, crush, drag or drive over the mains cable; protect against sharp edges, oil and heat.
- Extension cables must not be used.
- Disconnect the mains plug before all work on the appliance.
- Do not install and switch on the appliance if there are people or animals in the medium being pumped (e. g. a swimming pool), or they are in contact with it.
- Children and young people under the age of 16 years must not use this appliance, and must be kept away from it when it is in operation.
- Repairs must be carried out only by a qualified electrician.  
If repairs are carried out incorrectly, there is a danger of liquid penetrating into the electrical components of the appliance.

GB

## Your appliance at a glance

1. Carrying handle
2. Mains cable and plug
3. Hose adapter for pressure connection
4. Pump casing
5. Built-in float switch
6. Pump base
7. Automatic-Manual change-over switch



## Operation

### Installation and commissioning

Attach a sufficiently long and strong rope to the handle before first use. The pump is submerged into the liquid on this holding rope and can also be carried with it as well as with the handle.



#### Note:

In the case of continuous use of the pump with the rope, the condition of the rope must be checked regularly as it can decay and break over time.

#### Connect pressure pipe

For occasional use, use a suitable water hose.

The use of rigid pipes with a non-return valve is recommended for use at a fixed location. This prevents return flow of the liquid when switching off.

(Threaded connection: ? Technical data – p. 8)

- Screw pressure line onto the pressure connection.

All threaded connections must be sealed with thread sealing tape (e. g. Teflon® tape).

- When using a hose, screw a suitable hose adapter onto the pressure connection.
- Push the hose firmly onto the hose adapter and secure with a hose clamp.

#### Installation

The appliance needs an area of at least 50 × 50 cm .

The appliance can be submerged under water up to the submerged operating depth mentioned in the technical data.

Install the appliance so that the suction openings cannot be blocked by foreign bodies (place the appliance on a firm, even base if necessary).

Ensure that the appliance is stable.

**Risk of damage to the appliance!**

Do not lift the pump with the cable or pressure hose as these are not designed for the tensile stress from the weight of the pump.

- Submerge the pump at an angle into the liquid to be delivered so that no air pocket forms on the underside of the appliance. Suction would be prevented by this. Once the pump is submerged, it can be righted again.
- Leave the pump on the bottom of the liquid container. Use a strong rope attached to the carrying handle of the pump for lowering.
- Tighten the end of the rope firmly after lowering.

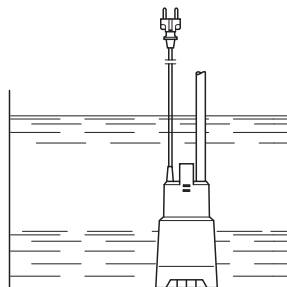
The pump can also be operated while suspended on a rope.

**Note:**

For operation with rope:  
Do not operate the pump without pressure hose.  
Avoid the pump twisting around its longitudinal axis.

**Operation**

After the appliance has been connected to the mains power supply, the pump can working




---

## Cleaning and maintenance

**Cleaning and maintenance overview****Before every use**

What?	How?
Check casing and cables for damage.	Visual inspection.
Check float switch for damage.	shake the pump to check the free movement of the contained floaters .

### After every use

What?	How?
Clean the appliance.	

### Cleaning the appliance externally

Rinse with clean water. Remove stubborn contamination with a brush and detergent.

Submerge the pump in a container with clean water and switch on for a short time to rinse the inside of the pump.

### Cleaning the suction area

- Clean all accessible insides of the casing. Remove fibres which have wound around the rotor shaft by opening the pressure connection. Remove stubborn contamination with a brush and detergent.

**Note:**

Before using the pump again, first “soak” it so that any possible dirt residues do not block the appliance.

## Storing

If there is a risk of frost, dismantle the appliance and accessories, clean them and store in a place protected from frost.

**Risk of damage to the appliance!**

Frost destroys the appliance and accessories, as these always contain water!

## Disposal

### Disposing of the appliance



Products which are labelled with the adjacent symbol must not be disposed of in household rubbish. You must dispose of such old electrical and electronic equipment separately.

Please check with your local authority about the possibilities for correct disposal.

Through separate disposal you send old equipment for recycling or for other forms of re-use. You will thus help to avoid in some cases that damaging material gets into the environment.

### Disposing of the packaging

The packaging consists of cardboard and correspondingly marked plastics that can be recycled.

- Make these materials available for recycling.

## Malfunctions and troubleshooting

### In the event of a malfunction...

**Danger of physical injury and death!**

Improperly conducted repairs may prevent your appliance from working safely. Such repairs will endanger you and your surroundings.

## Malfunctions and troubleshooting

GB

Minor faults are often sufficient to cause a malfunction. In most cases, you will be able to correct these faults easily yourself. Please start by referring to the following table before contacting our technical support. This will help you save much effort and possibly expense.

Fault/malfunction	Cause	Remedy
Pump does not run.	No mains voltage?	Check cables, plug, socket and fuse.
	Motor overheats due to: <ul style="list-style-type: none"> <li>• liquid temperature too high?</li> <li>• blocking by foreign bodies?</li> </ul>	Eliminate the cause of the overheating (max. temperature of liquid ► Technical data – p. 8 ).
	Residual current circuit breaker (RCCB) triggered?	Activate RCCB. Contact qualified electrician if RCCB triggers again.
	Motor defective?	Contact service partner.
Pump runs but does not pump.	Suction openings blocked?	Rectify blockage.
	Pump draws in air?	Keep the pump at an angle while submerging.  Switch the pump on and off several times in order to expel air.
	Pump blocked by foreign bodies?	Clean the pump (► Cleaning the suction area – p. 6 ).
Delivery rate too low.	Delivery height too great?	Comply with maximum delivery height (► Technical data – p. 8 ).
	Pressure line diameter too small?	Use pressure line with larger diameter.
	Pressure line blocked?	Rectify blockage.
	Suction openings blocked?	Clean suction opening.
	Pressure line kinked?	Straighten pressure line.
	Pressure line leaks?	Seal pressure line, tighten threaded connections.
Pump runs very loudly.	Pump draws in air?	Ensure there is sufficient liquid present.  Keep the pump at an angle while submerging.

## Technical data

---

**GB**

If you are unable to correct a fault yourself, please contact our technical support directly. Please note that improperly conducted repairs will void your warranty and may cause you additional expenses.

---

### Technical data

Item number	AF250 INTERN FLOATER(RD348)
Rated voltage	230V/50Hz
Rated power	250W
Protection type	IPX8
Max. supply height	6m
Max. flow rate	6000L/H
Max. submersion depth	7m
Max. temperature of liquid	35°C
Pressure pipe diameter	
Pipe connection	1"G1" 1¼" G1½"
Cable length	10m
Grain size	5 mm



**Risk of damage to the appliance!**

The grain size mentioned does not refer to sand or stones but rather to soft, flexible particles such as fluff and similar which the rotor cannot wedge inside the pump.