

Spare Parts Catalog

AQUAMINI

CONTENTS

AMS04 03-04

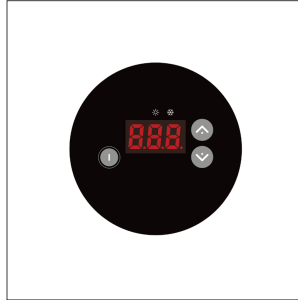
AMS06/08 05-06

Spare Parts Picture

Electrical Spare Parts



1 PC board (Heat)



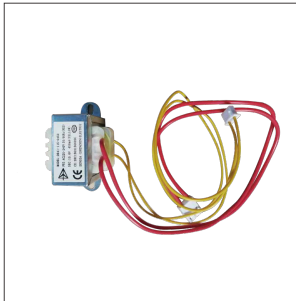
2 Round LED controller(Heat)



3 4-way valve



4 Compressor capacitor



5 Transformer



6 Fan motor capacitor



7 Fan motor



8 Full set of sensors(Heat)



9 Compressor



10 Titanium heat exchanger(Heat)

Refrigerate System Spare Parts



11 Evaporator



12 High pressure protection switch



13 Low pressure protection switch

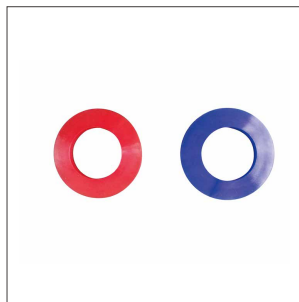


14 High pressure protection switch

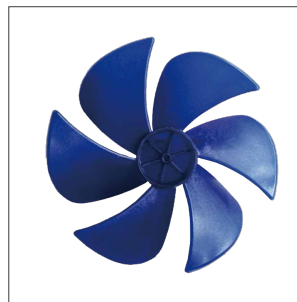
Other Spare Parts



15 Water union

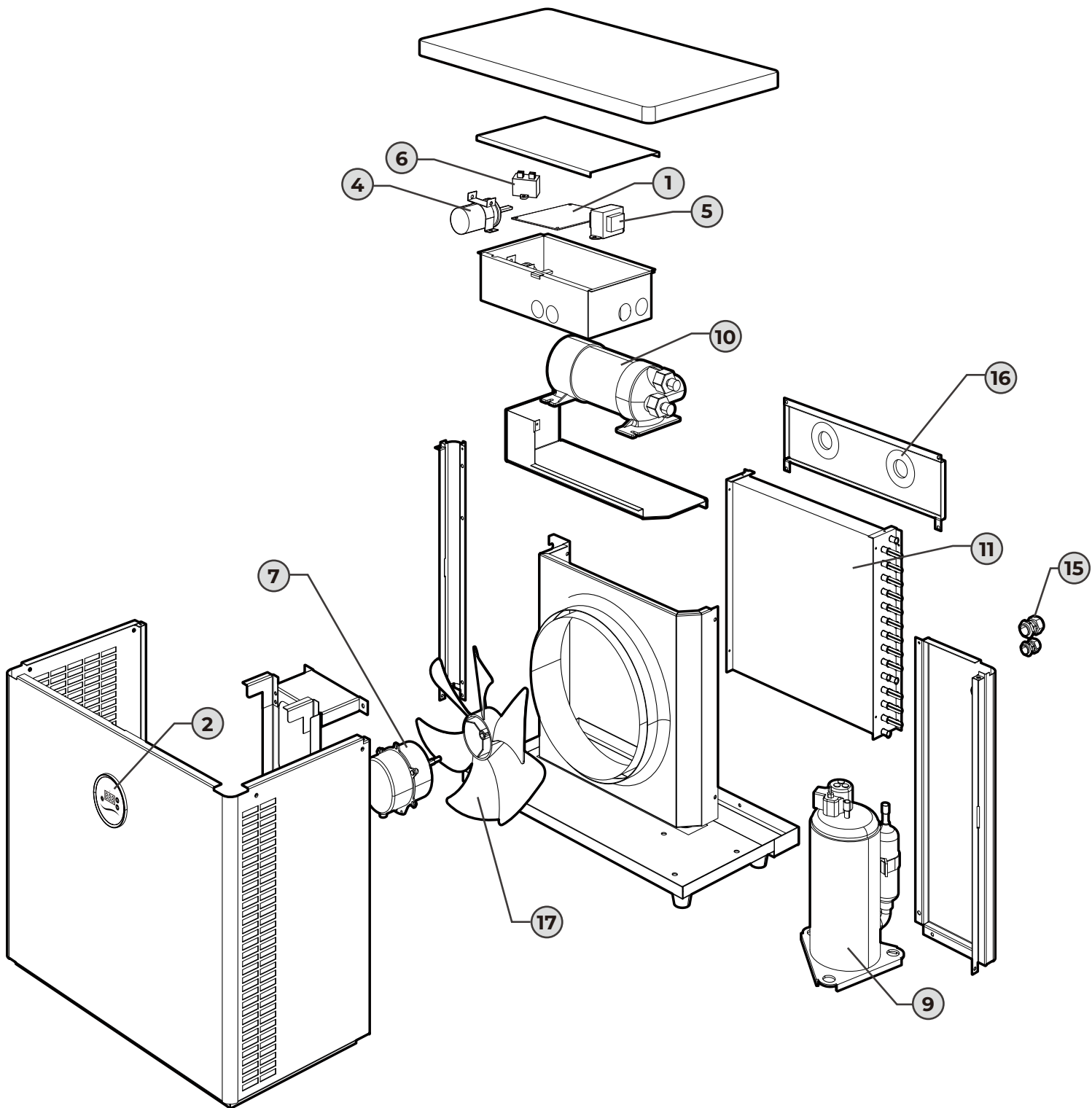


16 Water union gasket



17 Fan

AMS04



8



12



13



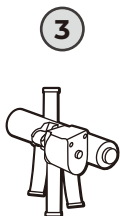
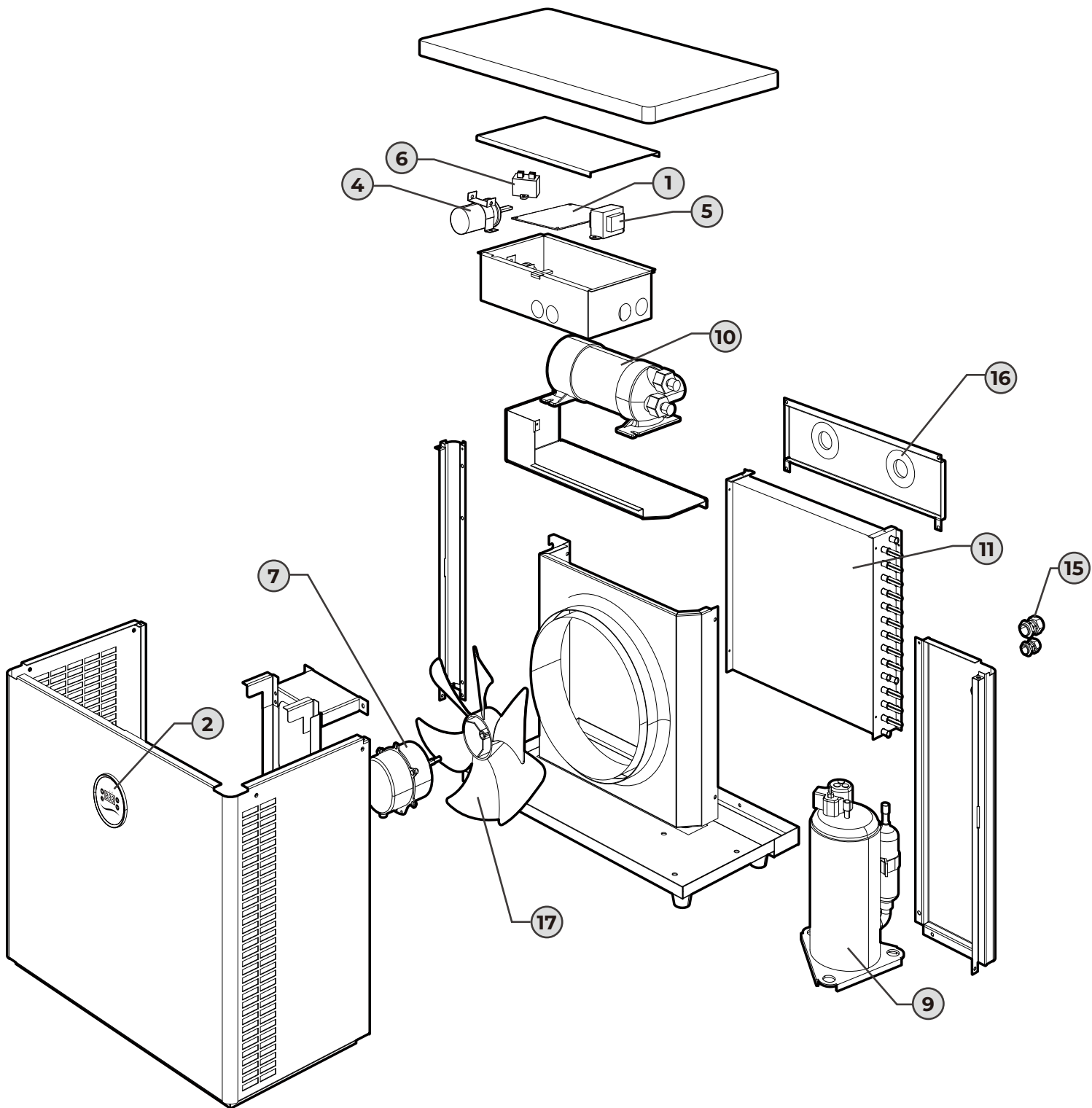
14



AMS04

| No. | Spare parts | AMS04 |
|---------------------------------------|---------------------------------|-------|
| Electrical Spare Parts | | |
| 1 | PC board (Heat) | |
| 2 | Round LED controller(Heat) | |
| 3 | 4-way valve | |
| 4 | Compressor capacitor | |
| 5 | Transformer | |
| 6 | Fan motor capacitor | |
| 7 | Fan motor | |
| 8 | Full set of sensors(Heat) | |
| Refrigerate System Spare Parts | | |
| 9 | Compressor | |
| 10 | Titanium heat exchanger(Heat) | |
| 11 | Evaporator | |
| 12 | High pressure protection switch | |
| 13 | Low pressure protection switch | |
| 14 | High&low Pressure valve | |
| Other Spare Parts | | |
| 15 | Water union | |
| 16 | Water union gasket | |
| 17 | Fan | |

AMS06/08



AMS06/08

| No. | Spare parts | AMS06 | AMS08 |
|---------------------------------------|---|-------|-------|
| Electrical Spare Parts | | | |
| 1 | PC board (Heat) PC board (Heat&Cool) | | |
| 2 | Round LED controller(Heat) Round LED controller(Heat&Cool) | | |
| 3 | 4-way valve | | |
| 4 | Compressor capacitor | | |
| 5 | Transformer | | |
| 6 | Fan motor capacitor | | |
| 7 | Fan motor | | |
| 8 | Full set of sensors(Heat) Full set of sensors(Heat&Cool) | | |
| Refrigerate System Spare Parts | | | |
| 9 | Compressor | | |
| 10 | Titanium heat exchanger(Heat) Titanium heat exchanger(Heat&Cool) | | |
| 11 | Evaporator | | |
| 12 | High pressure protection switch | | |
| 13 | Low pressure protection switch | | |
| 14 | High&low Pressure valve | | |
| Other Spare Parts | | | |
| 15 | Water union | | |
| 16 | Water union gasket | | |
| 17 | Fan | | |