

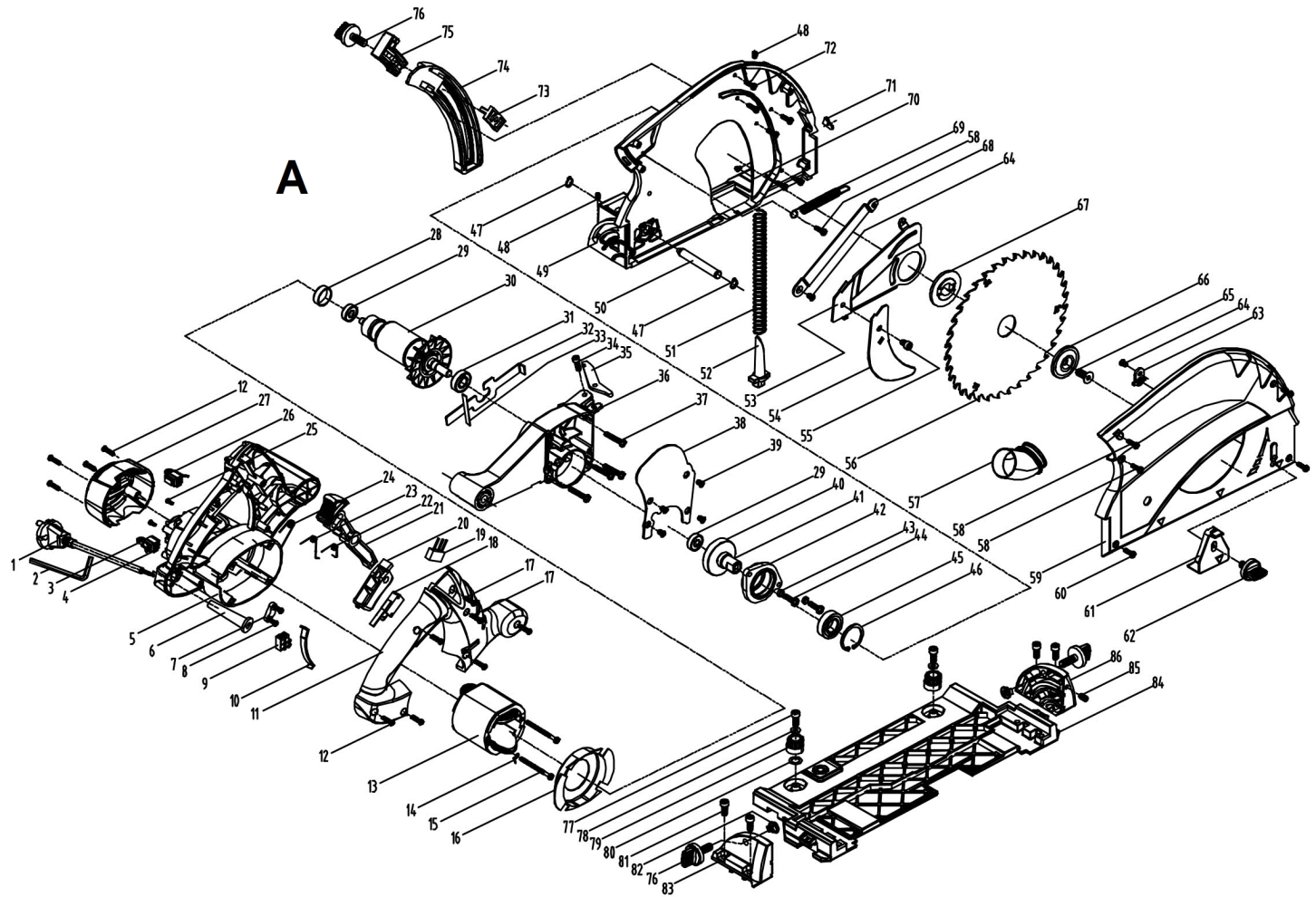
# schepach

5901804901

Plunge Saw PL75  
scheppach - 230V 50Hz  
1600W - 210mm



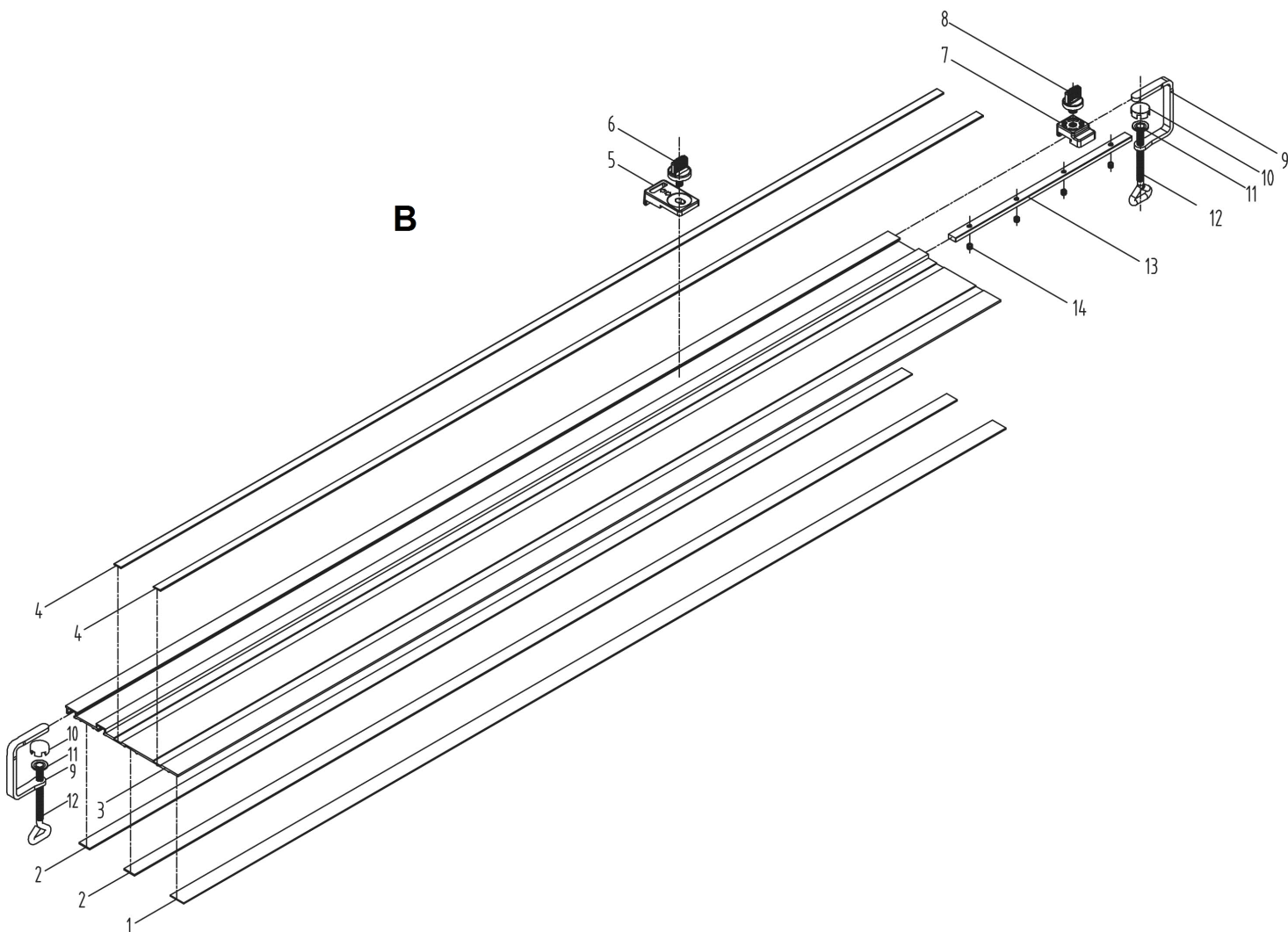
A



# Scheppach

5901804901

Plunge Saw PL75  
scheppach - 230V 50Hz  
1600W - 210mm



## Main products

## Spare part list

5901804901

251316 - 0132 - PL75 - -

Spare	Description	additional	Item	Abb.	ConstructStatus
5901804001	power cord 2x1.00mm2x3000 part 1		1	A	*
01091106	hexagon stud wrench	SW 5	2	A	*
3901802013	carbon bush spring		3	A	*
3901802014	carbon bush holder		4	A	*
3901802015	Motor housing		5	A	*
3901802016	Rubber protector tube		6	A	*
3901802017	Cord pressing plate		7	A	*
02798123	oval head sheet metal screw	B4.2x13	8	A	*
5901804002	handle part 11		11	A	*



**Main products**

**Spare part list**

5901804901

251316 - 0132 - PL75 - -

Spare	Description	additional	Item	Abb.	ConstructStatus
5901804003	stator part 13		13	A	*
3901802024	front cover part 14		16	A	*
3901802026	switch	16A / 250V	18	A	*
5901307001	capacitor	0,22 µF / 250 V	19	A	*
3901802028	switch button part 18		20	A	*
3901802029	locking button		21	A	*
3901802030	spring Teil 20		22	A	*
3901802031	spring Teil 21		23	A	*
3901802032	switch button spring		24	A	*
5901804004	carbon brushes (set = 2 pcs.)		26	A	*
3901802035	back cover part 25		27	A	*
3901802036	rubber sleeve for bearing		28	A	*
88002490	bearing	608 ZZ	29	A	*
5901804005	rotor part 30		30	A	*
3901802039	bearing part 29		31	A	*
3901802040	shaft locking part part 30		32	A	*
3901802041	spring for lock bar		33	A	*
02091224	screw	M5x16, verzinkt, 8.8 DIN912	34	A	*
5901804006	cutting lock part 35		35	A	*
5901804007	gear box part 36		36	A	*
3901802047	screw part 38		37	A	*
5901804008	gear box cover part 38		38	A	*
02096503	countersunk screw	M4x8 VZ	39	A	*
5901804009	gear cpl. part 40-42/45-46		40 - 42 / 45 - 46A		*
5901804010	bearing cover part 42		42	A	*



**Main products**

**Spare part list**

5901804901

251316 - 0132 - PL75 - -

Spare	Description	additional	Item	Abb.	ConstructStatus
5901804011	screw part 44	M5x20	44	A	*
06406003	deep groove ball bearing	6003 2 RS	45	A	*
5901804012	retaining ring for shaft part 46		46	A	*
01047107	Circlip ring	A10x1.0 BK DIN471	47	A	*
02091315	THREADED PIN	M5x10	48	A	*
5901804013	frame part 49		49	A	*
5901804014	pin		50	A	*
5901804015	spring part 51		51	A	*
5901804016	spring holder part 52		52	A	*
5901804017	ripping knife holder part 53		53	A	*
5901804018	ripping knife part 54		54	A	*
02091236	cheese head screw	M6x16 8.8 912 VZ	55	A	*
7901800601	HW saw blade Ø 210 x 30 x 2,4 x 1,6 mm / T36		56	A	*
7901800602	HW saw blade Ø 210 x 30 x 2,4 x 1,6 mm / T72		56	A	*
3901802064	suction port		57	A	*
3901802066	screw		58	A	*
5901804019	frame cover part 59		59	A	*
3901802066	screw		60	A	*
5901804020	splinter guard part 61		61	A	*
5901804021	locking knob M8x15 part 62		62	A	*
5901804022	locking block part 63		63	A	*
02799133	countersunk screw M8X20	M8x20	65	A	*
5901804023	outer sawblade flange		66	A	*
5901804024	inner sawblade flange part 67		67	A	*
5901804025	connecting rod part 68		68	A	*



5901804901

Plunge Saw PL75  
scheppach - 230V 50Hz  
1600W - 210mm



**Main products**

**Spare part list**

5901804901

251316 - 0132 - PL75 - -

Spare	Description	additional	Item	Abb.	ConstructStatus
5901804026	spring part 69		69	A	*
3901802073	pointer part 66		71	A	*
5901804027	guider part 73		73	A	*
5901804028	depht scale part 74		74	A	*
5901804029	pressing part part 75		75	A	*
3901802078	knob		76	A	*
02091235	cheese head screw	M6x12 8.8 912 VZ	77	A	*
02012504	washer	A6	78	A	*
3901802080	knob		79	A	*
5901804031	rubber flat washer		80	A	*
02091236	cheese head screw	M6x16 8.8 912 VZ	81	A	*
3901802081	knob part 76		82	A	*
3901802082	left tilting guider part 77		83	A	*
5901804030	floor plate		84	A	*
3901802084	right tilting guider part 79		86	A	*
5901804032	adjusting knob M4x15	M8x15	o.Abb.	A	*
3901802086	bottom rubber strip incl. adhesive tape	1400mm long	1	B	*
3901802087	bottom rubber foam strip		2	B	*
3901802748	Guide rail kit 2 pieces 700 mm + connector for PL55		3	B	*
3901802701	Guide rail Woodster		3	B	*
3901802089	top plastic strip with glue yellow RAL1023	1200x10	4	B	*
3901802094	top plastic strip with glue blue RAL5010		4	B	*
3901802703	protection		5-6	B	*
3901802090	stopper		7-8	B	*
3901802091	clamp		9-12	B	*

not available anymore



5901804901

Plunge Saw PL75  
scheppach - 230V 50Hz  
1600W - 210mm



**Main products**

**Spare part list**

5901804901

251316 - 0132 - PL75 - -

Spare	Description	additional	Item	Abb.	ConstructStatus	
3901802092	rail connector		13-14	B	*	
3901802093	headless pin		14	B	*	
3901802702	Accessory package for plunge saw 55/75		o.Abb.	B	*	
3901805701	accessory		o.Abb.	B	*	not available anymore

!!! Do you know: From now on you can view spare parts lists in our spare parts shop and order spare parts and accessories directly. More information can be found here: <https://www.scheppach.com/Shop.aspx>