



Ref. PF8

ROW



USERS



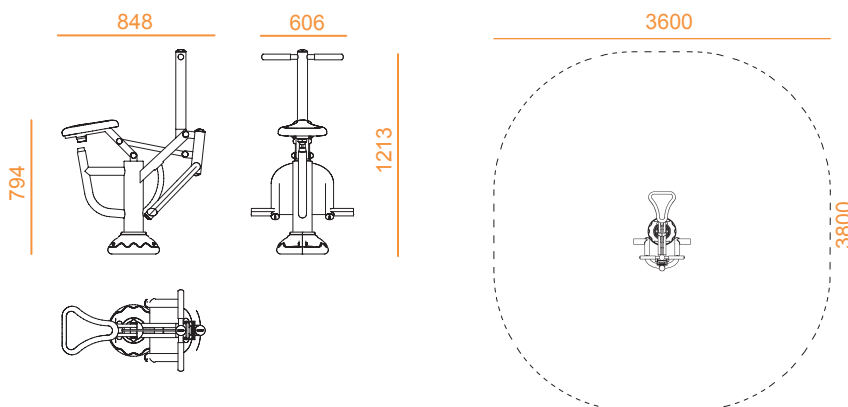
+12 years



13,7 m²



Measurements expressed in millimeters



FEATURES

BENEFITS: Development of the muscles in the arms and legs, waist, abdomen and back. Improves coordination among the four limbs. Strengthening of the heart and lung functions.

MANUFACTURING: Tube structure made of galvanized steel with reinforced tread system and polypropylene handles.

FINISHING: Baked polyester paint, black and grey RAL9006 colour.

INSTALLATION: Available for installation on hard ground and soft ground.

TECHNIQUE: Sitting on the chair, holding the handles with both hands, and your feet on the footrests. Stretch your legs, while bending your arms and achieve a position with a straight back.