



Ref. PF9

# OBLIC



USERS



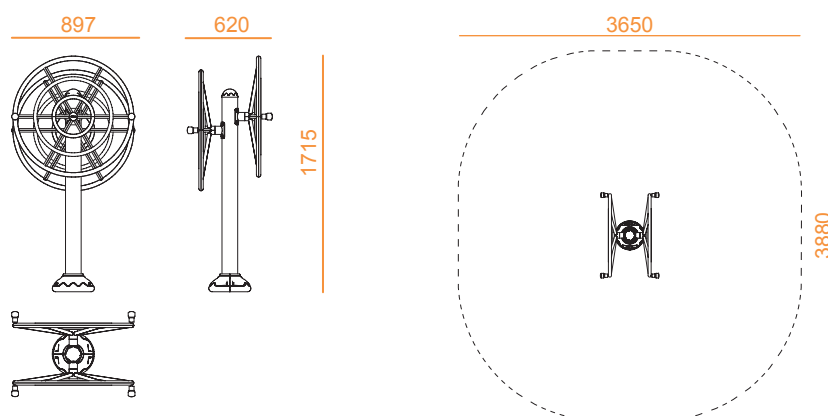
+12 years



13,8m<sup>2</sup>



Measurements expressed in millimeters



## FEATURES

- BENEFITS:** Development and strengthening of the upper limbs, especially the shoulders. Improves coordination. Especially recommended in rehabilitation of the shoulders.
- MANUFACTURING:** Tube structure made of galvanized steel with reinforced tread system and polypropylene handles.
- FINISHING:** Baked polyester paint, black and grey RAL9006 colour.
- INSTALLATION:** Available for installation on hard ground and soft ground.
- TECHNIQUE:** Grasp the handles with both hands and turn the wheel in a clockwise direction.  
And then anticlockwise slowly.