



Ref. PF10

PULL



USERS



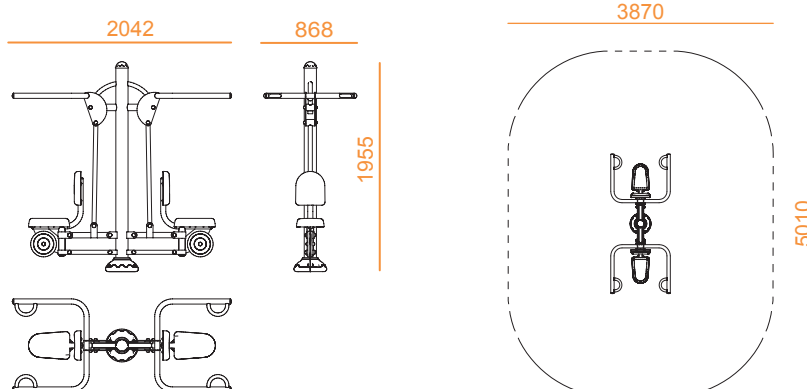
+12 years



19 m²



Measurements expressed in millimeters



FEATURES

- BENEFITS:** Develops the muscles of the upper limbs, agility and flexibility in joints, shoulders, elbows and back.
- MANUFACTURING:** Tube structure made of galvanized steel with reinforced tread system and polypropylene handles.
- FINISHING:** Baked polyester paint, black and grey RAL9006 colour.
- INSTALLATION:** Available for installation on hard ground and soft ground.
- TECHNIQUE:** Sitting with your body centred in the seat, rest your back on the backrest.
Grasp the handles, pull down slowly and return to the starting position.