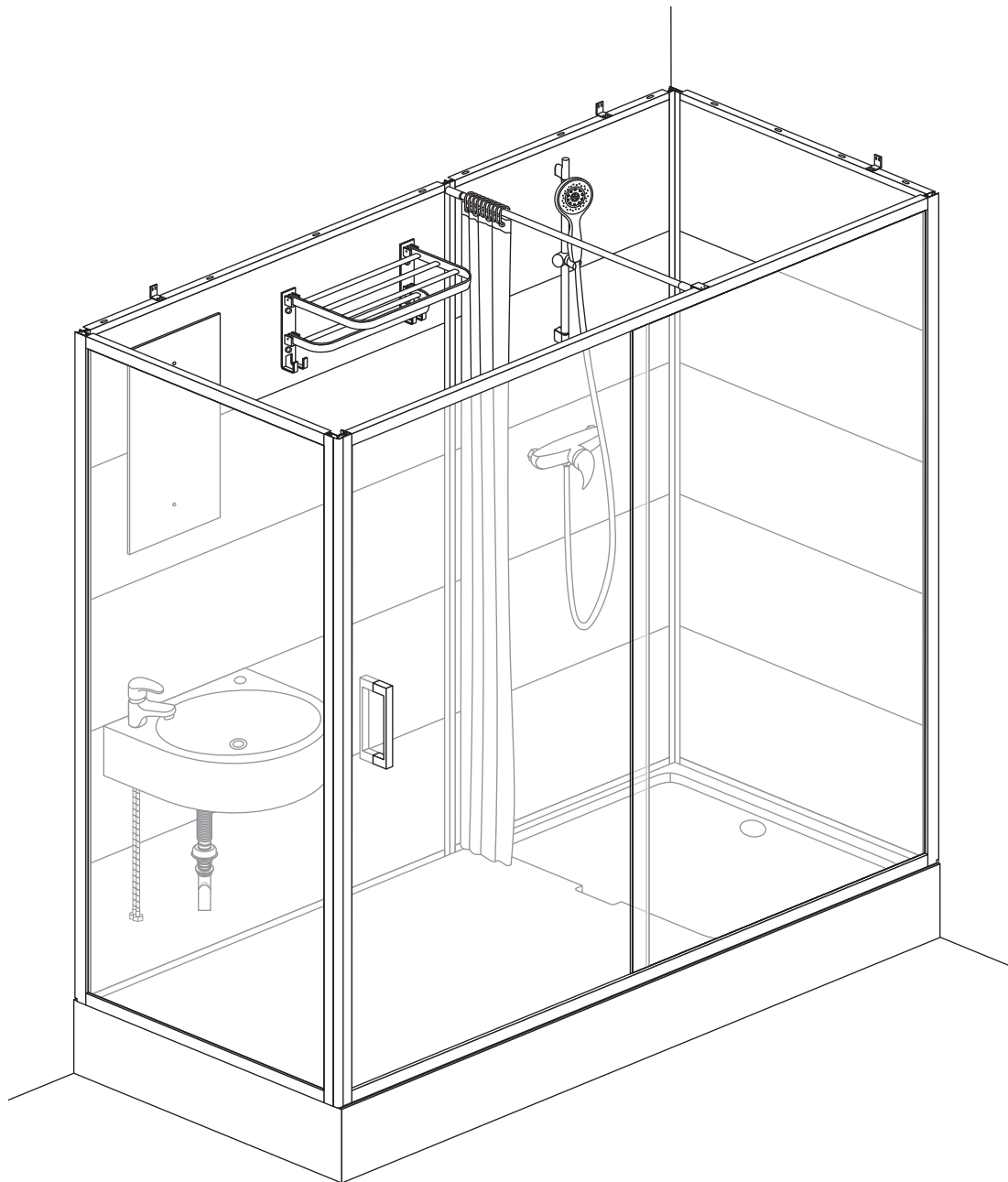


Installation instructions

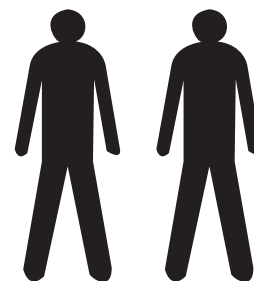


Installation instructions

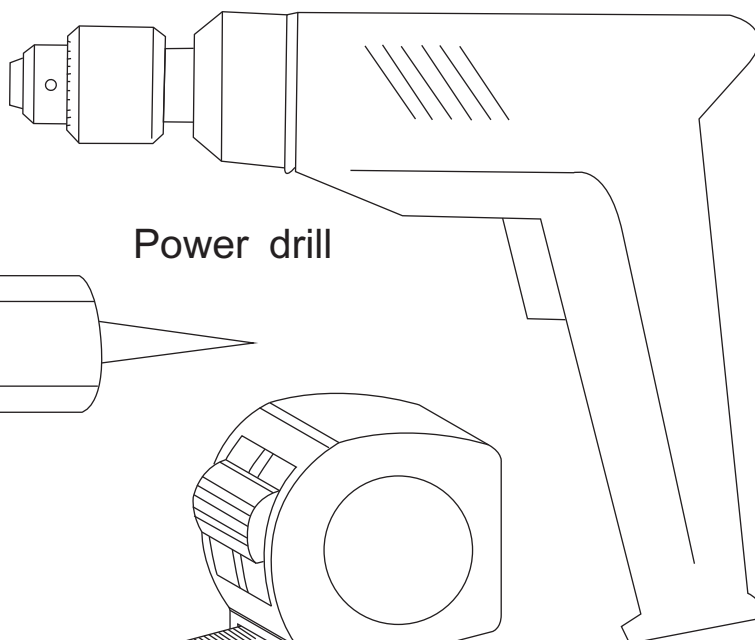
TOOLS REQUIRED(NOT SUPPLIED)

when you're ready to start. make sure that you have the following tools to hand, plenty of space and a clean dry area for assembly.

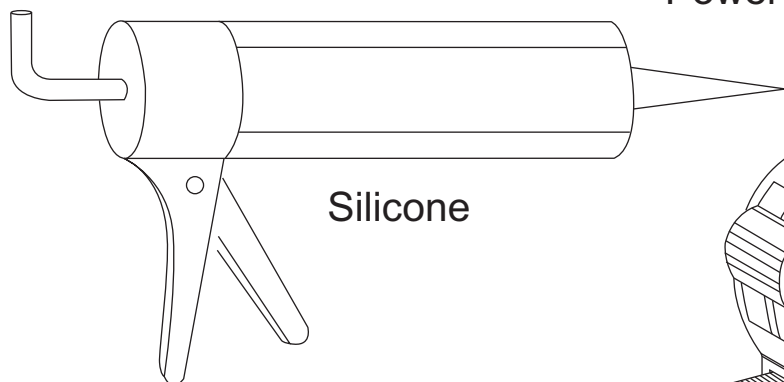
Two people are needed. Please note: although these instructions are comprehensive, We always recommend that a technically competent installer should undertake installation.



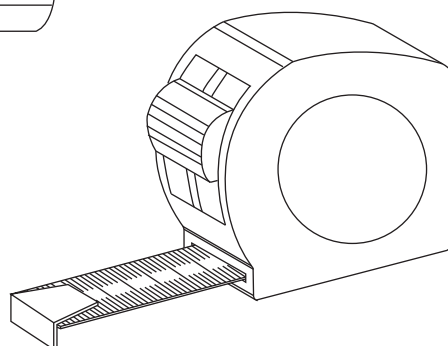
6mm Drill bit



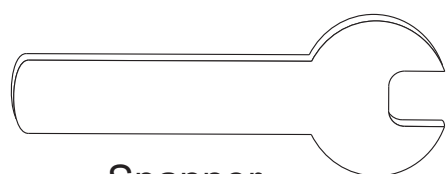
Power drill



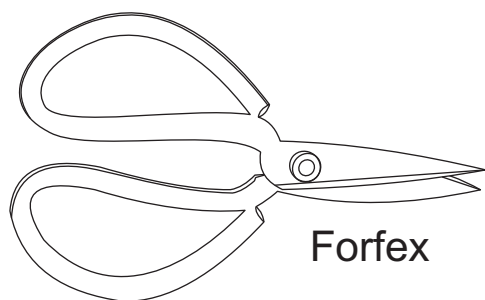
Silicone



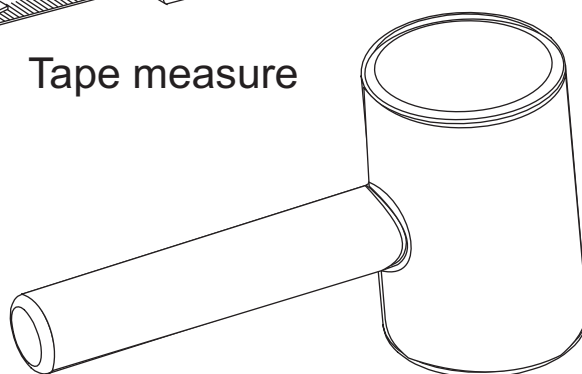
Tape measure



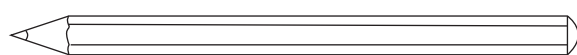
Spanner



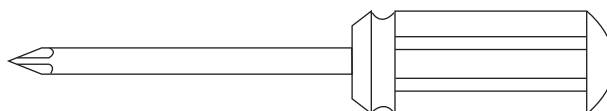
Forfex



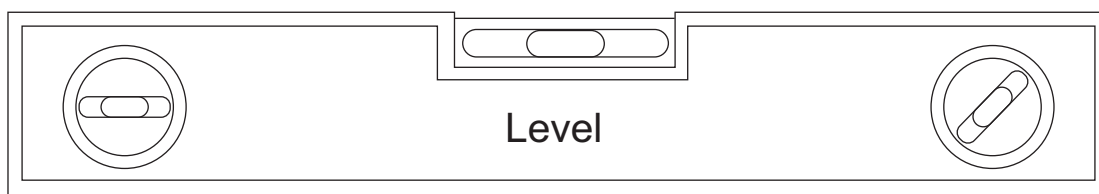
Rubber Mallet



Pencil

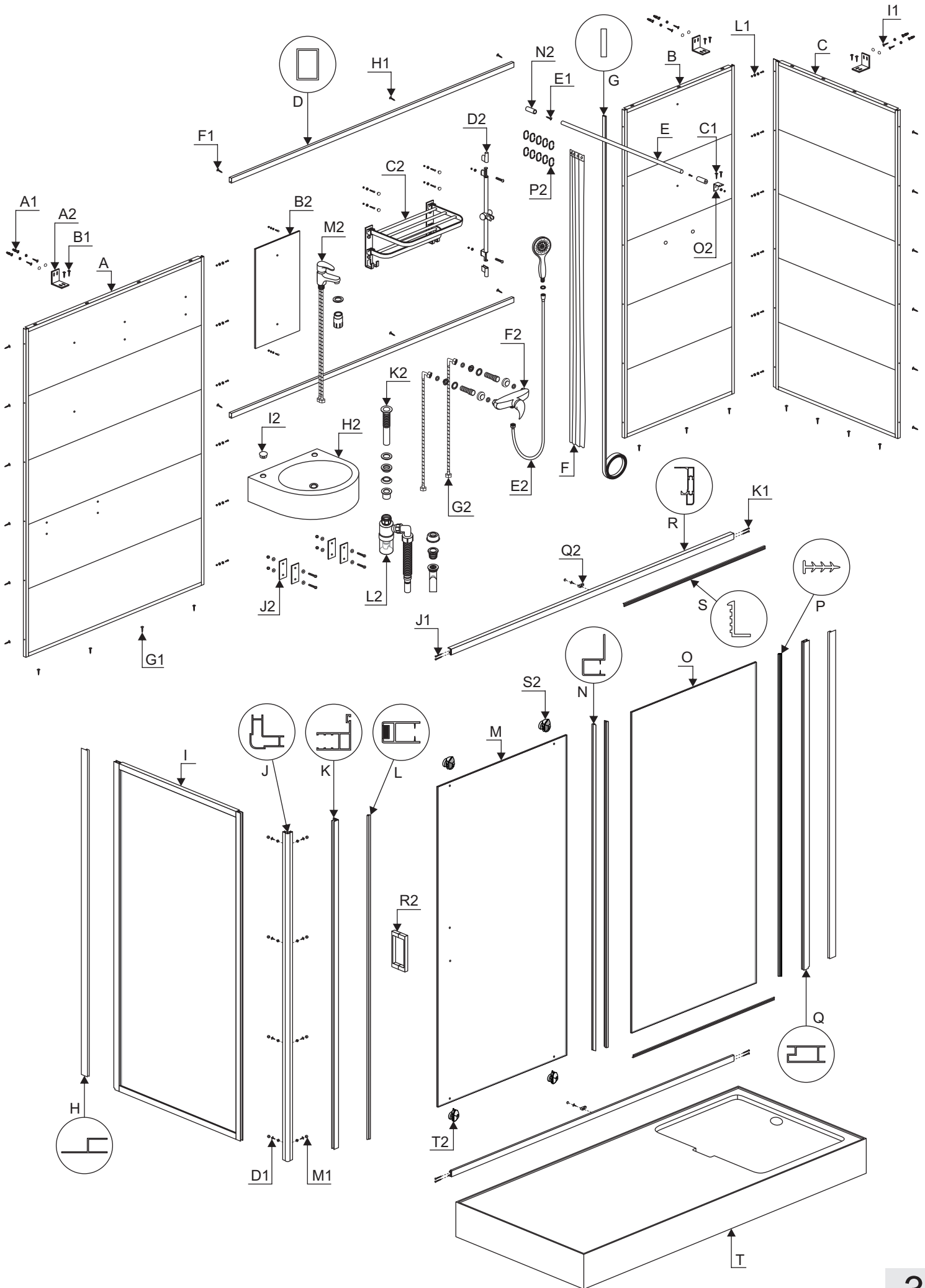


Magnetic cross head screw driver

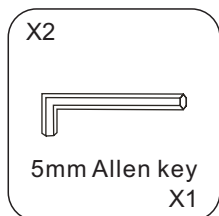
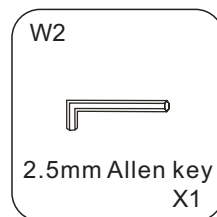
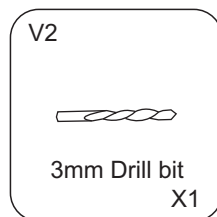
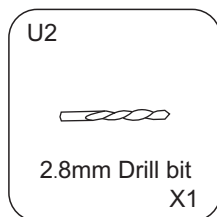
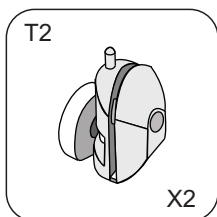
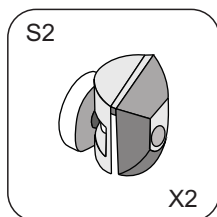
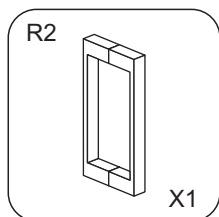
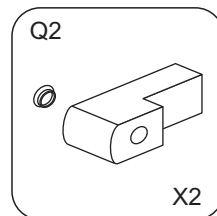
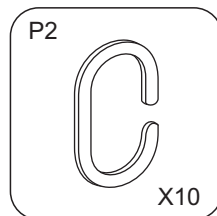
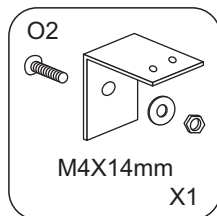
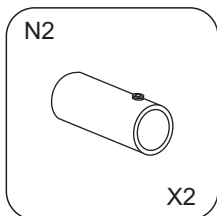
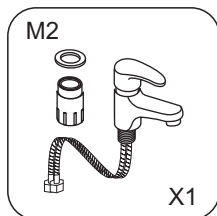
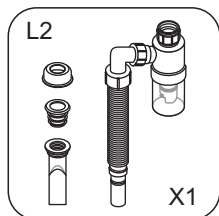
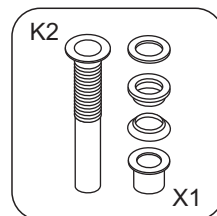
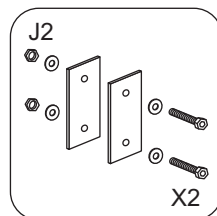
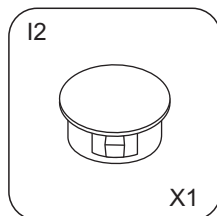
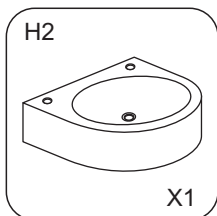
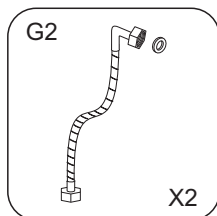
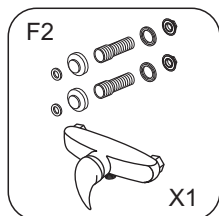
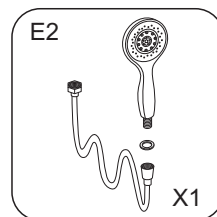
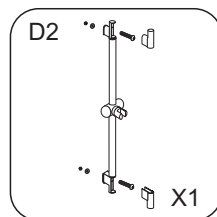
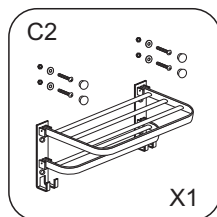
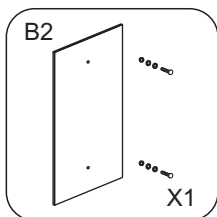
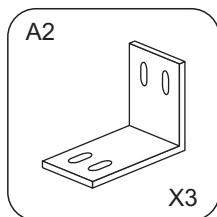
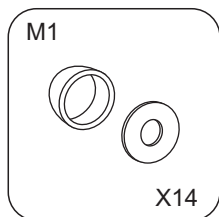
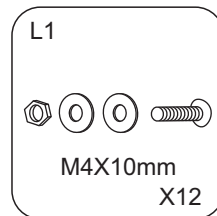
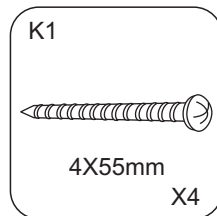
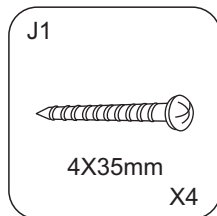
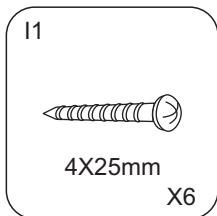
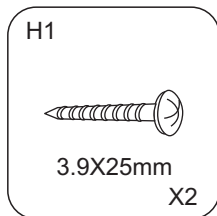
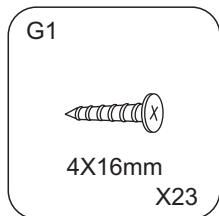
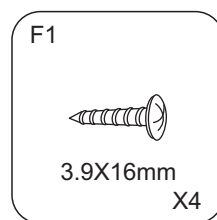
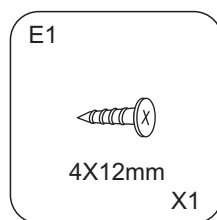
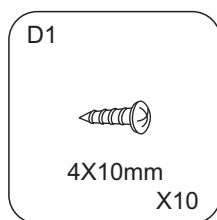
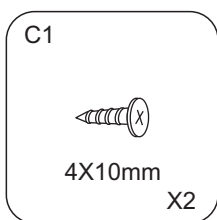
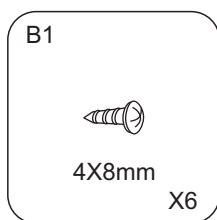
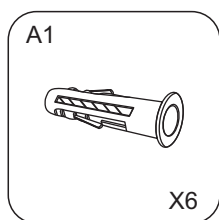


Level

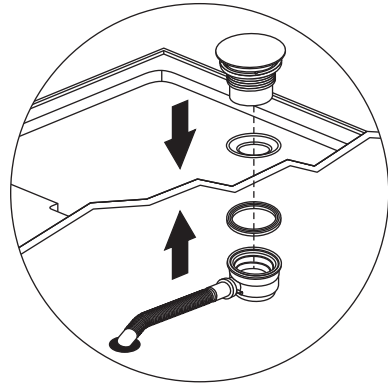
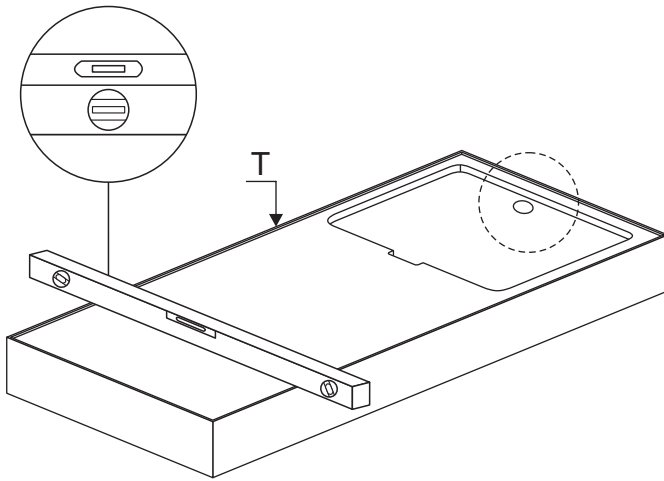
Installation instructions



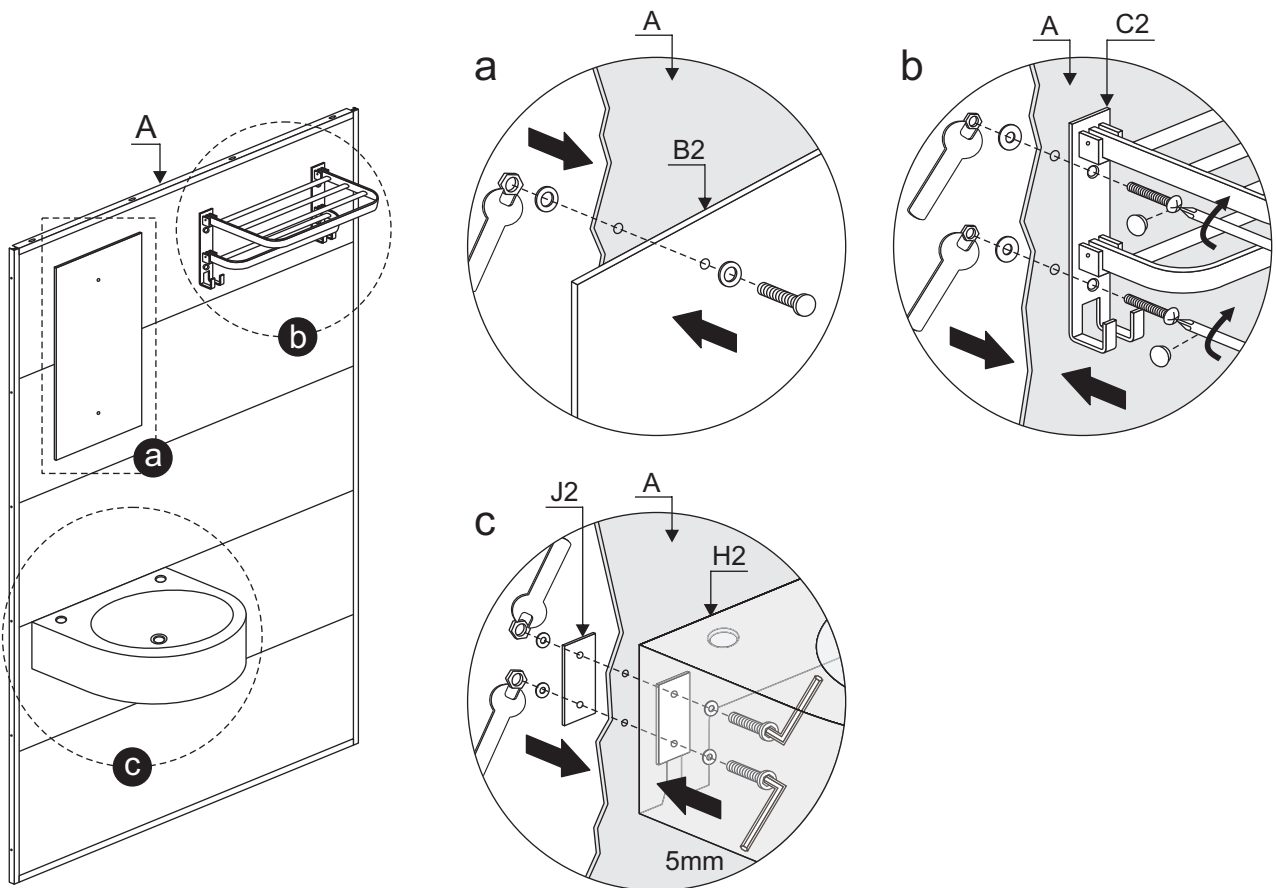
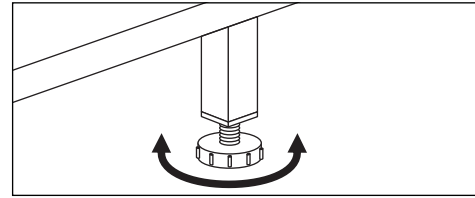
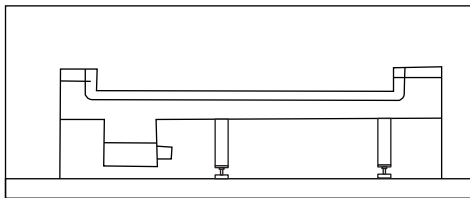
Installation instructions



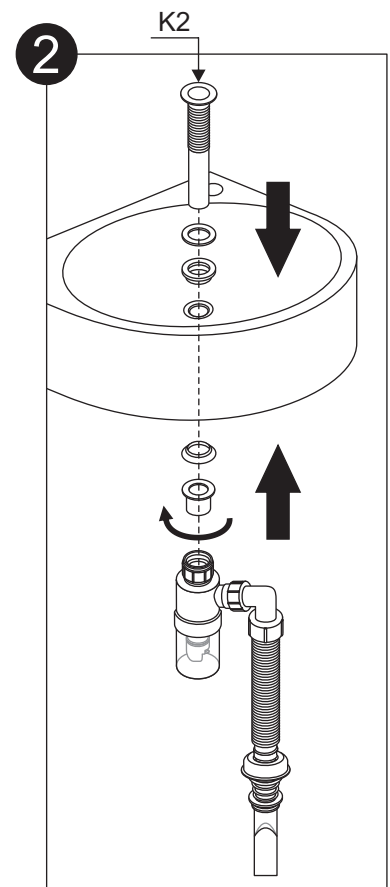
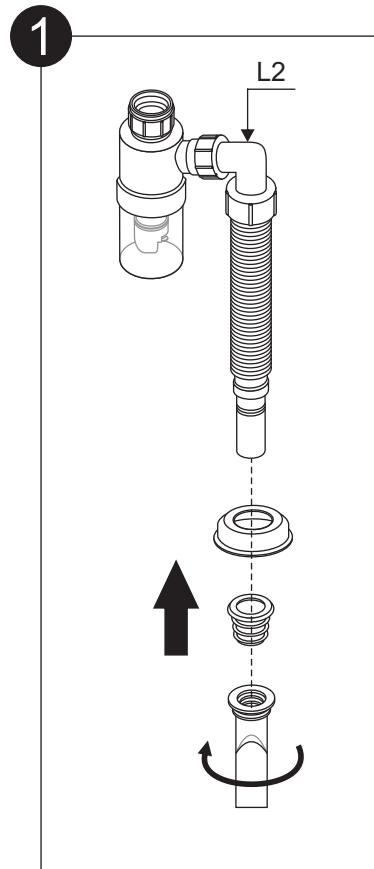
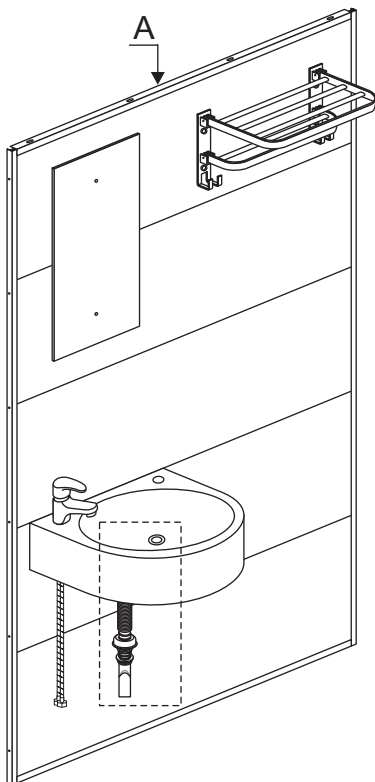
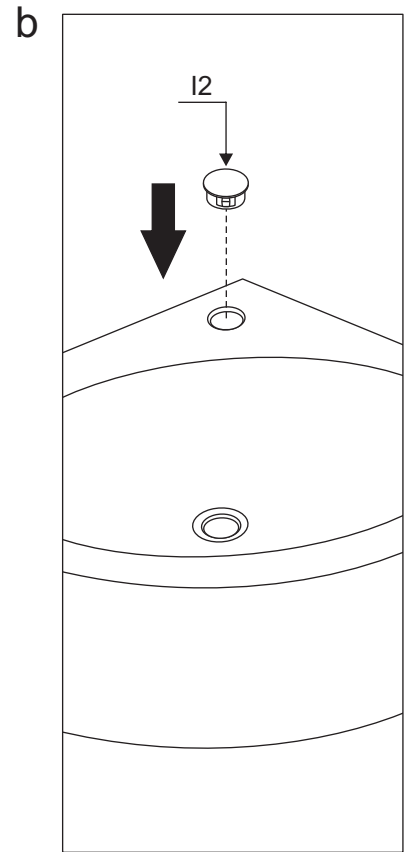
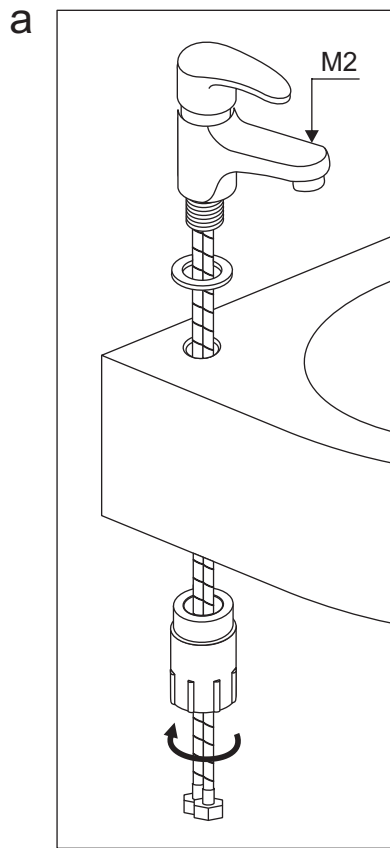
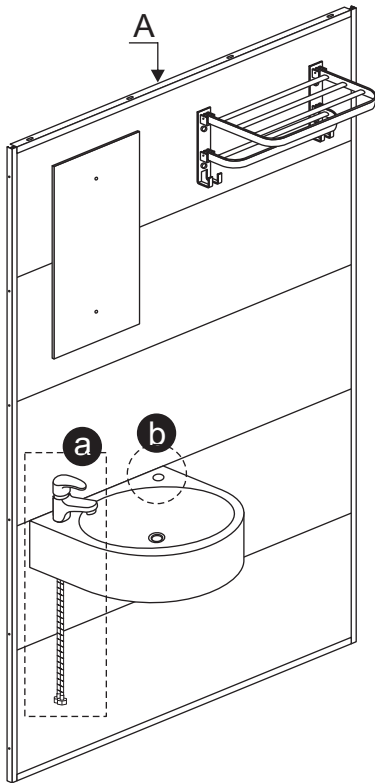
Installation instructions



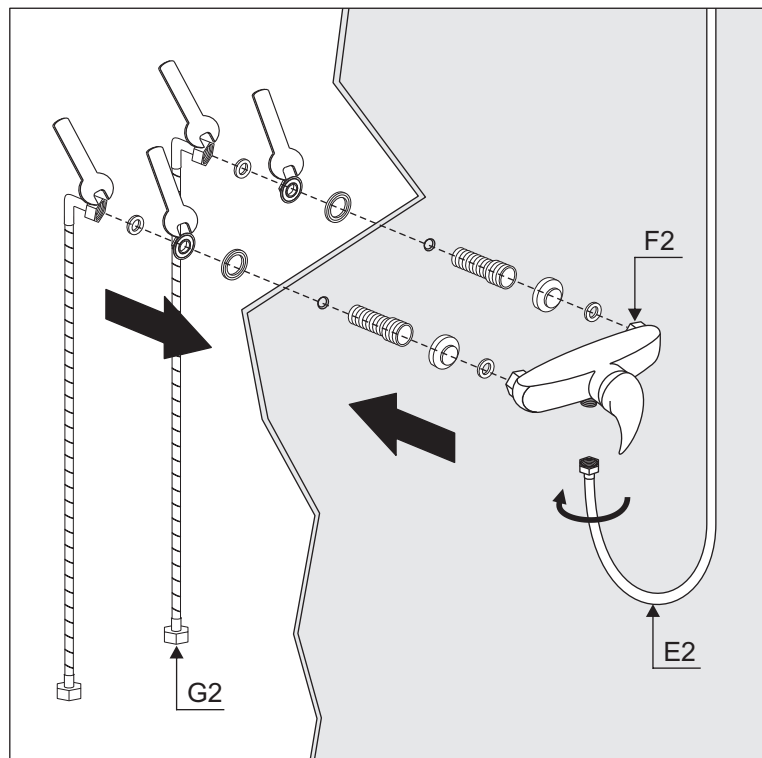
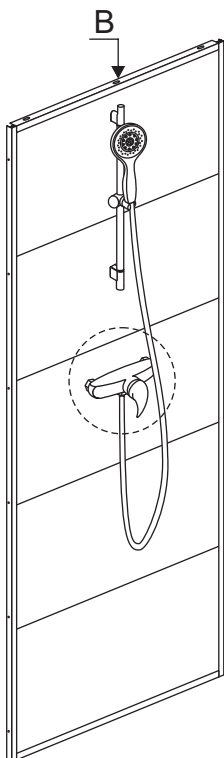
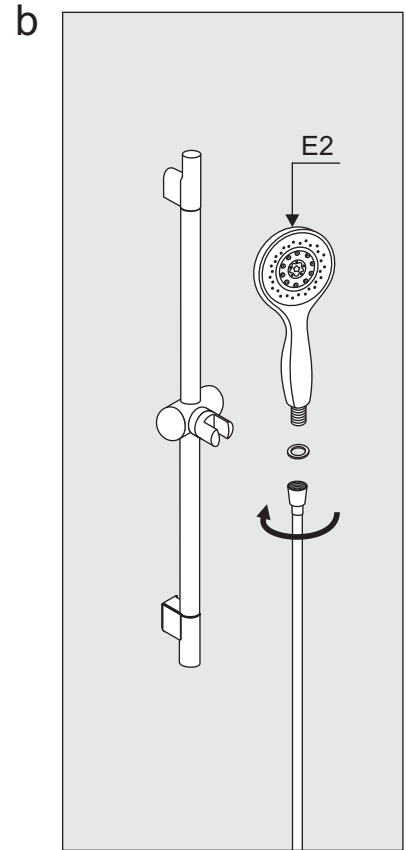
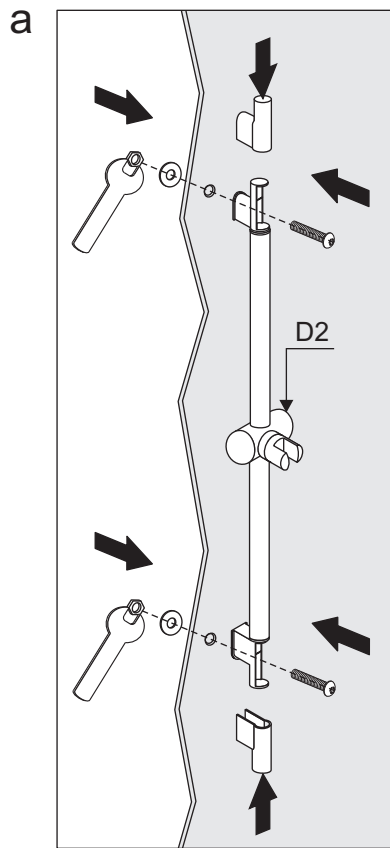
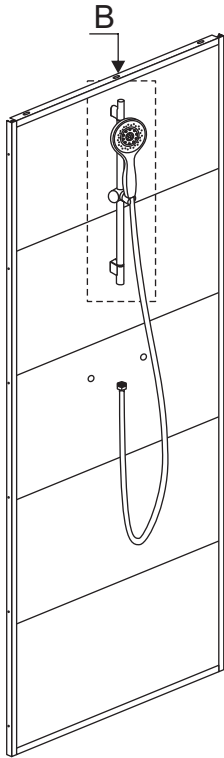
Lift the rear part of bottom basin, and then insert one end of the pipe into the drainage hole.



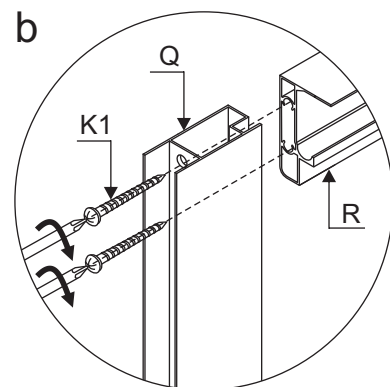
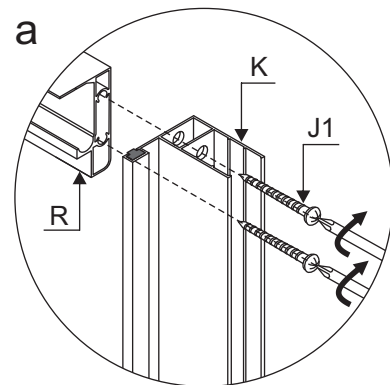
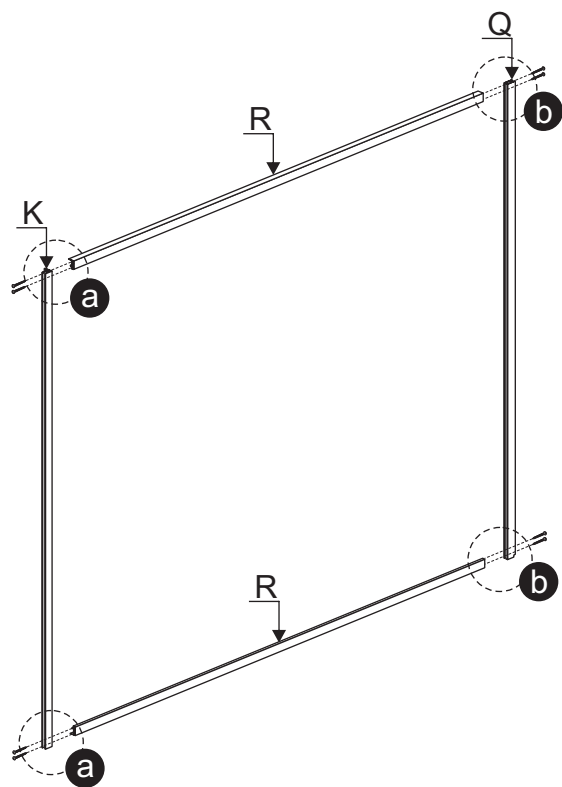
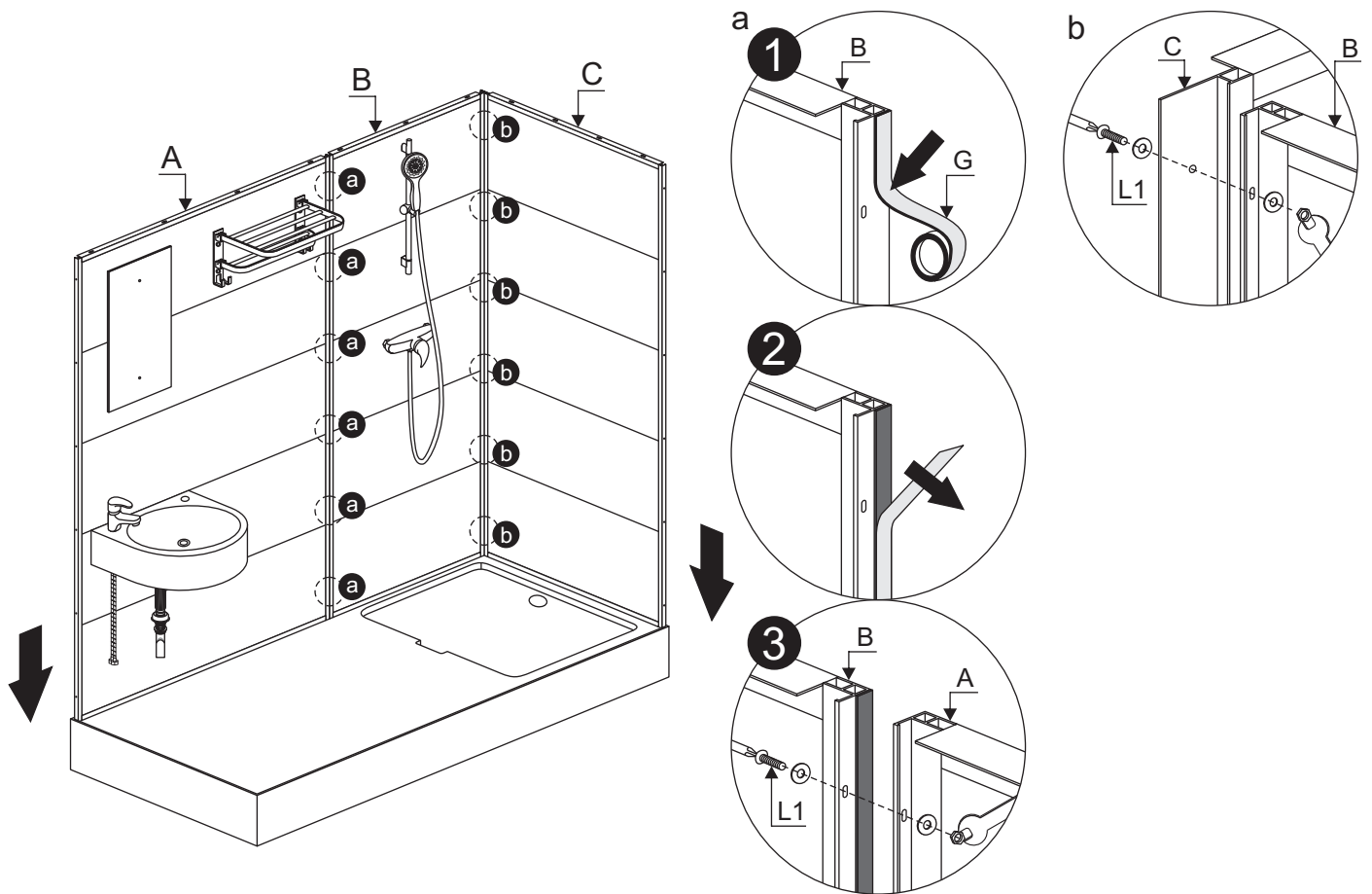
Installation instructions



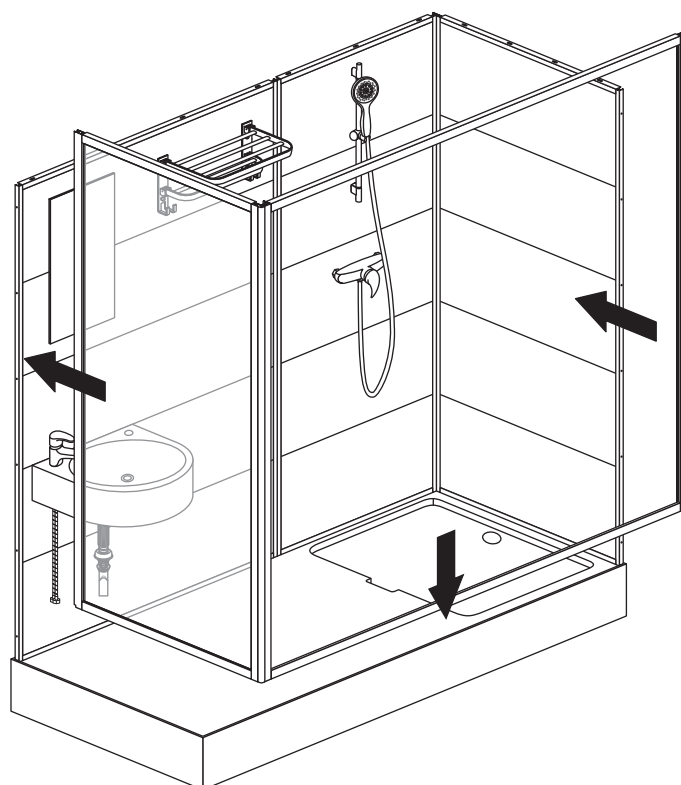
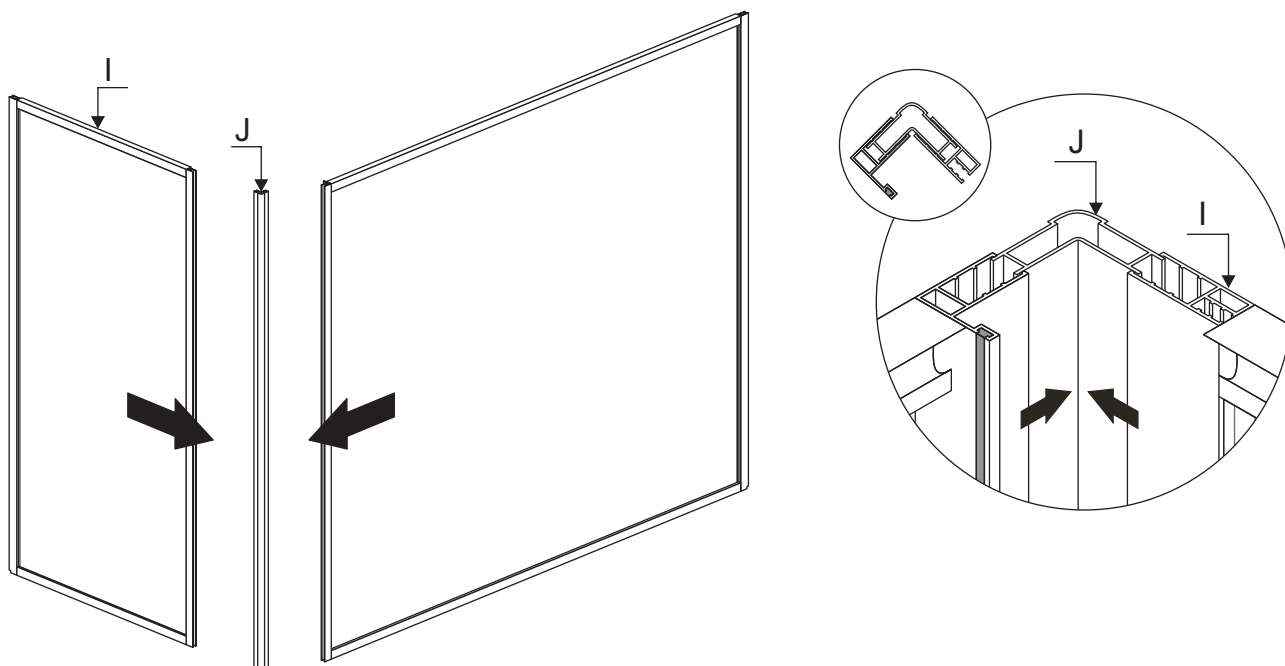
Installation instructions



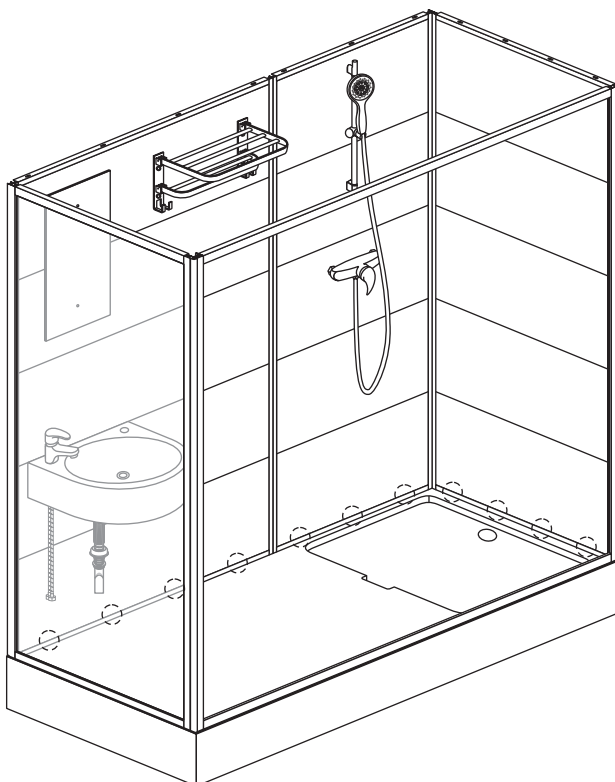
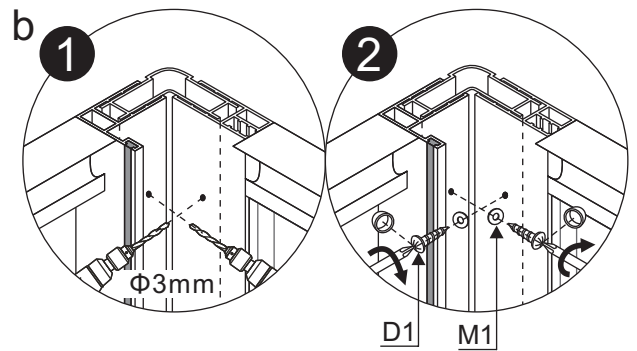
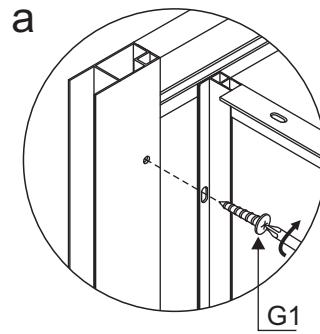
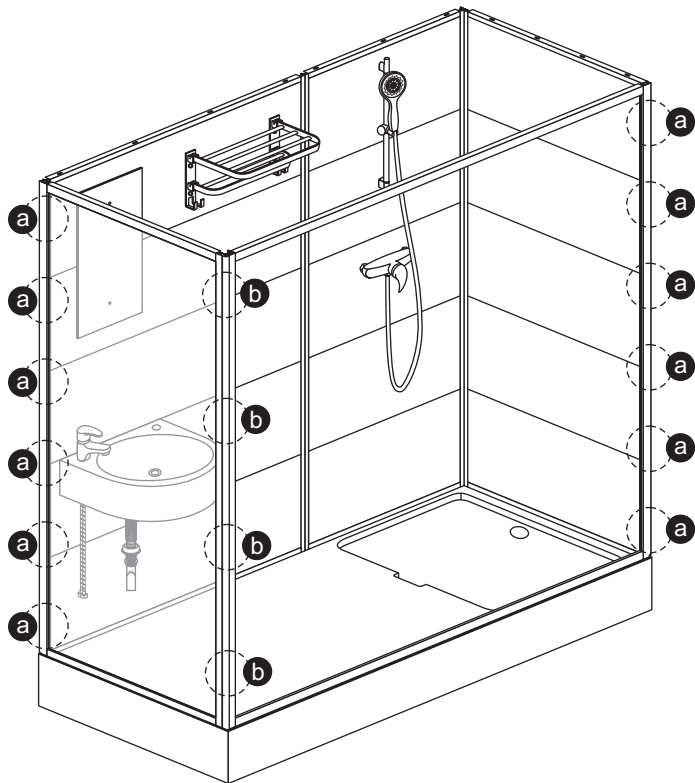
Installation instructions



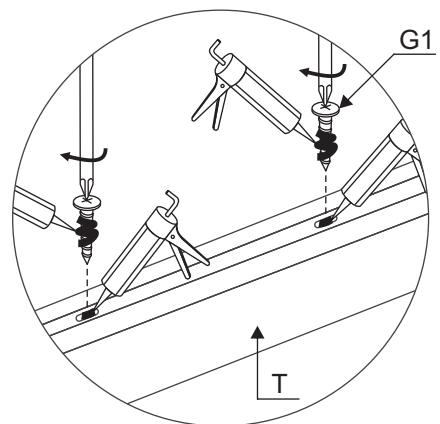
Installation instructions



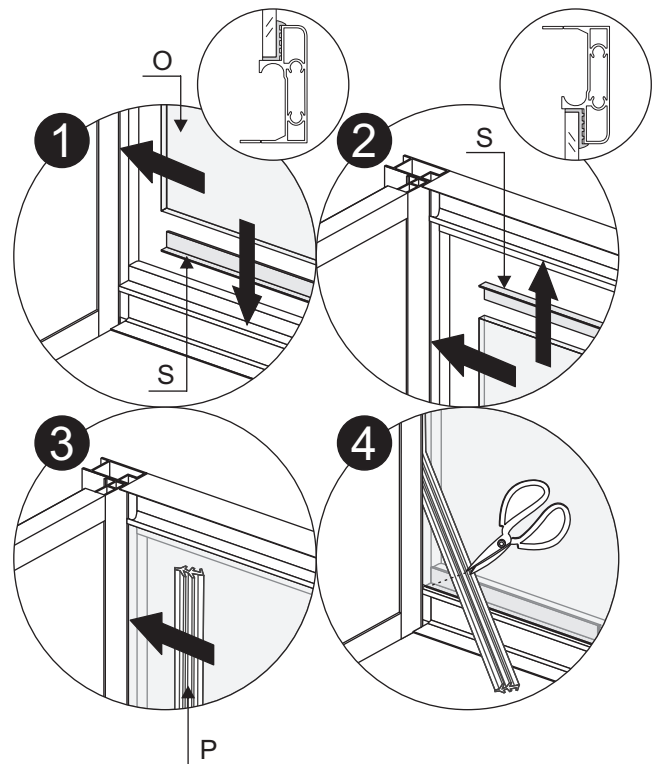
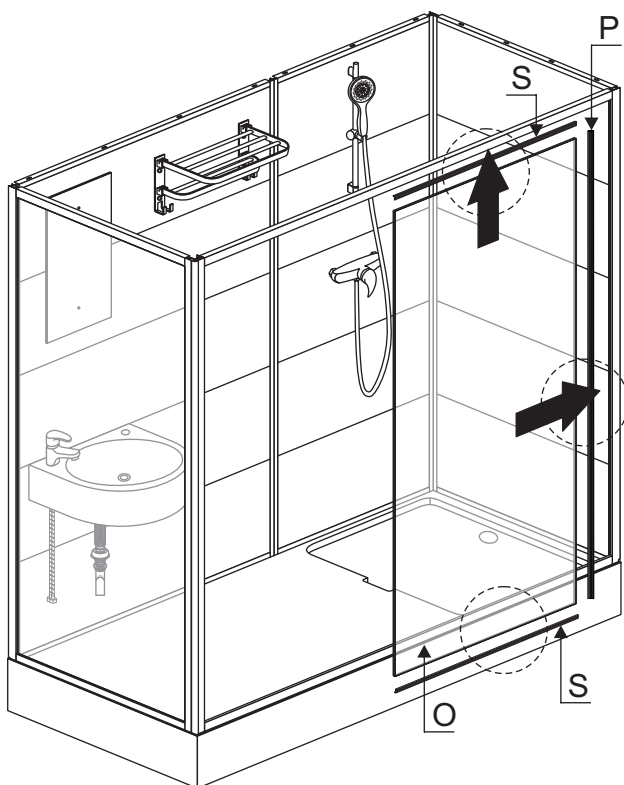
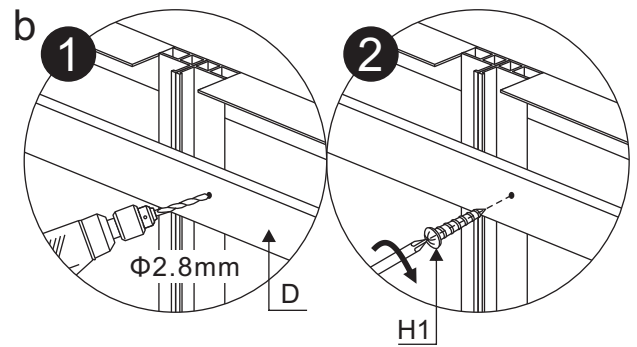
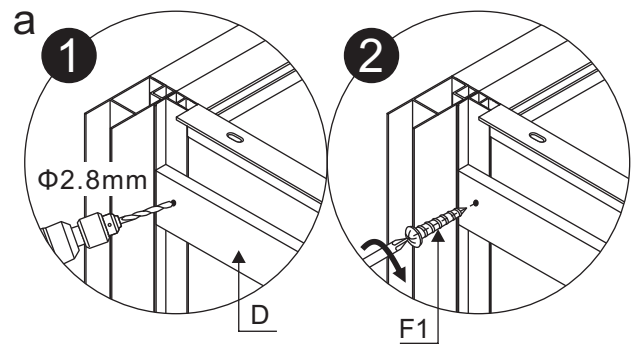
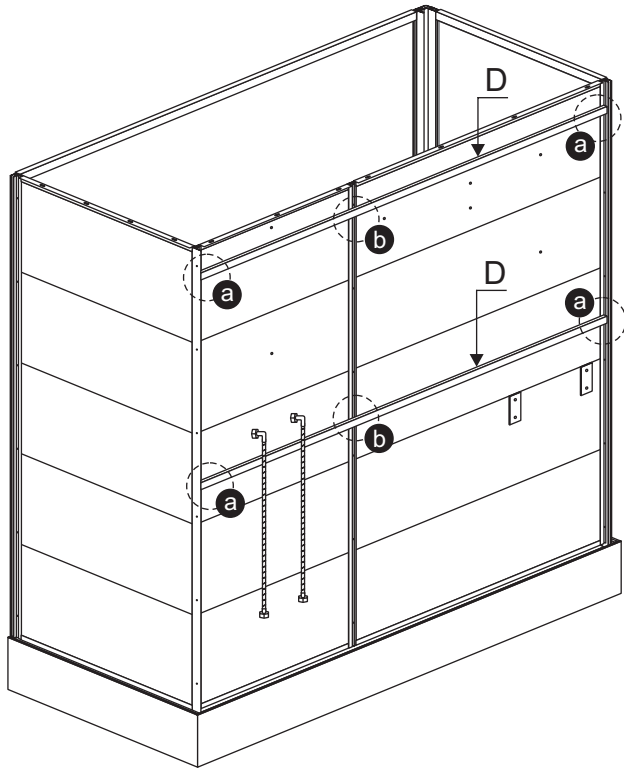
Installation instructions



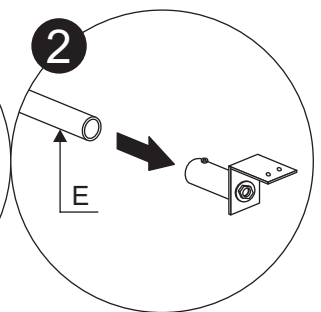
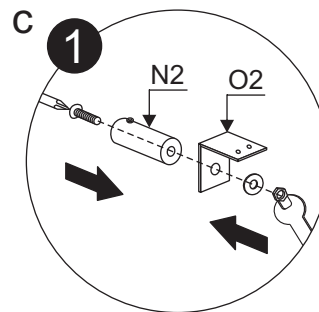
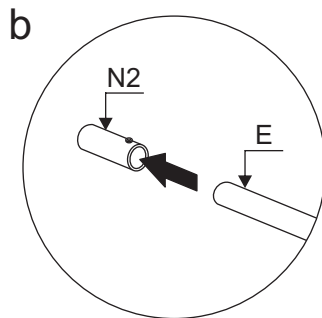
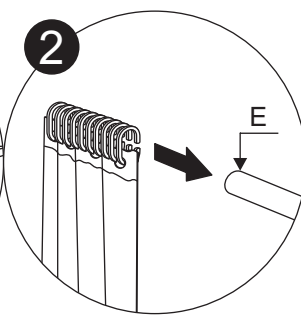
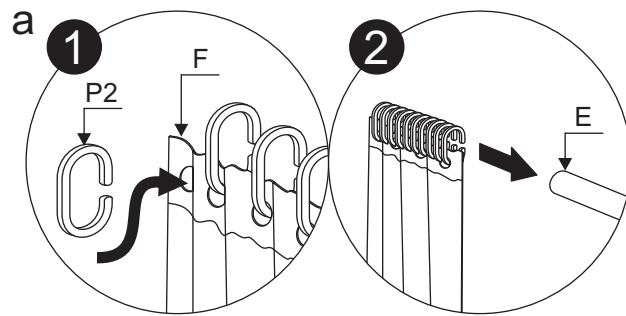
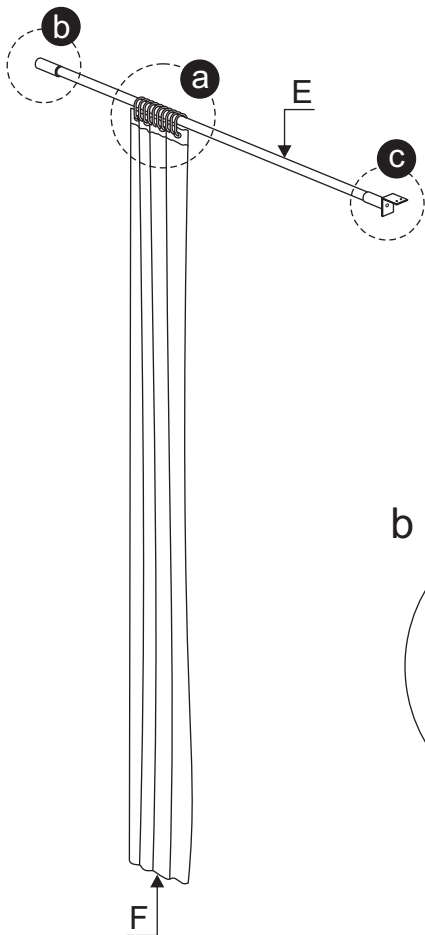
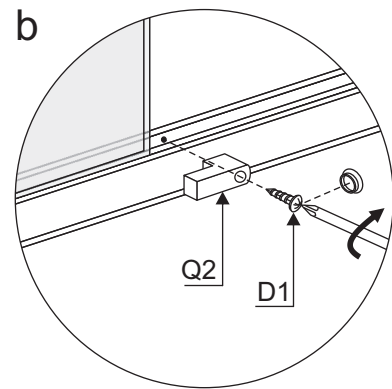
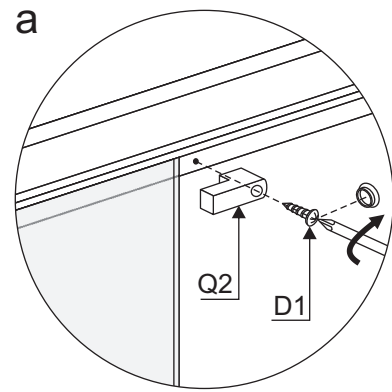
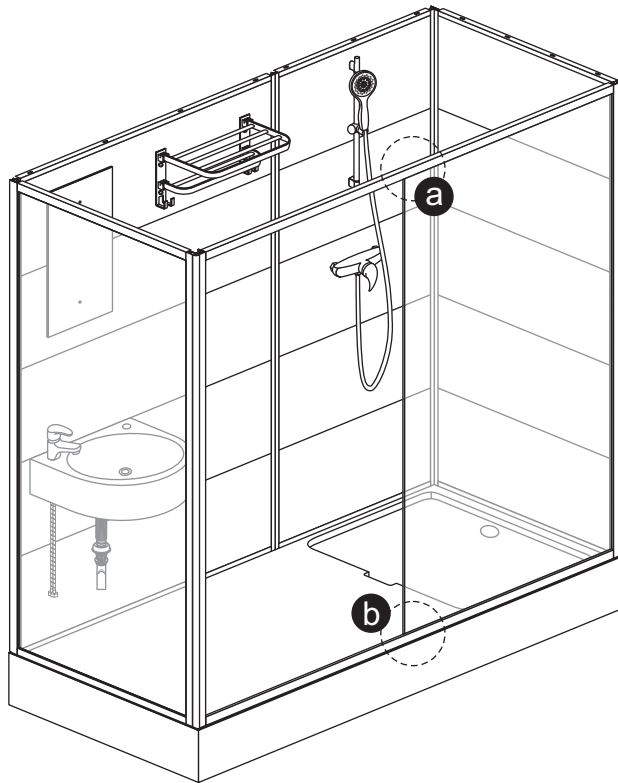
pre drill holes and put silicone inside the holes and on screws.



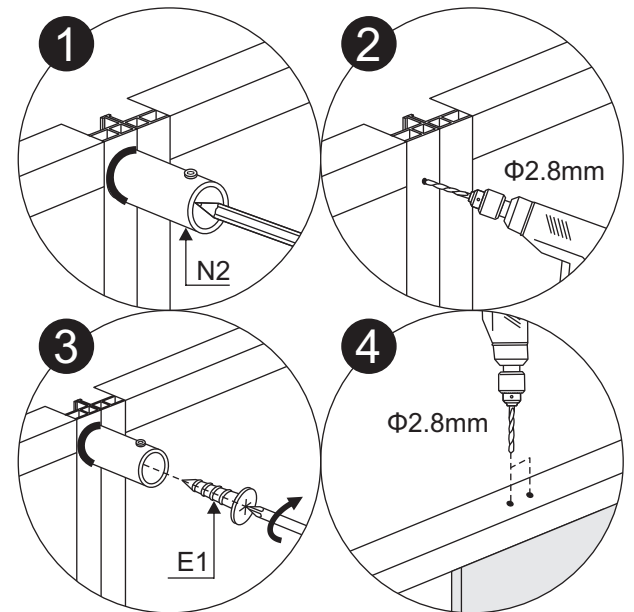
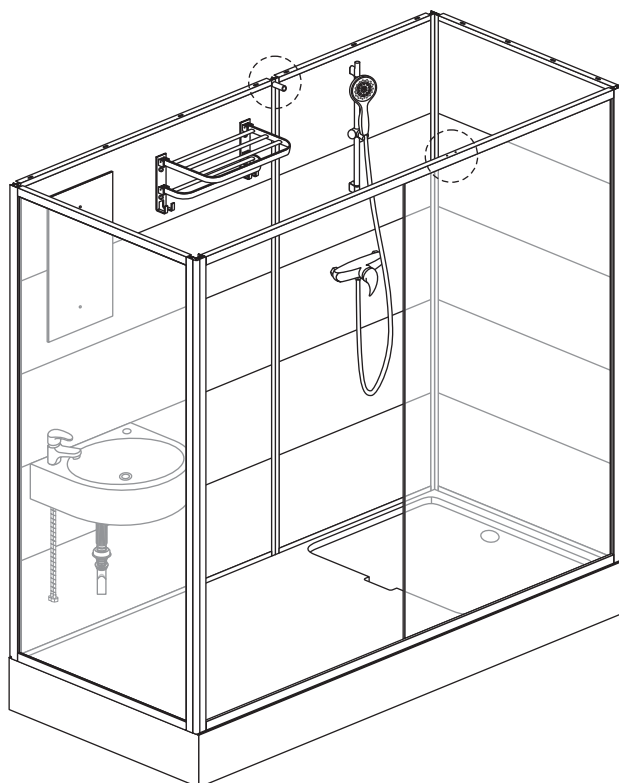
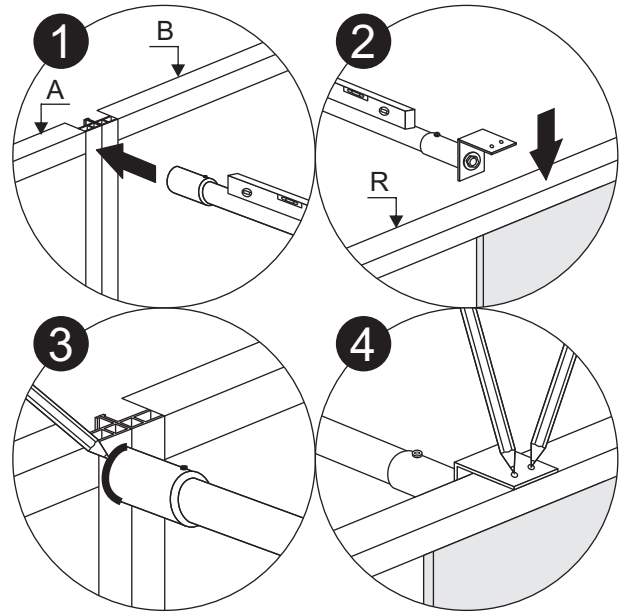
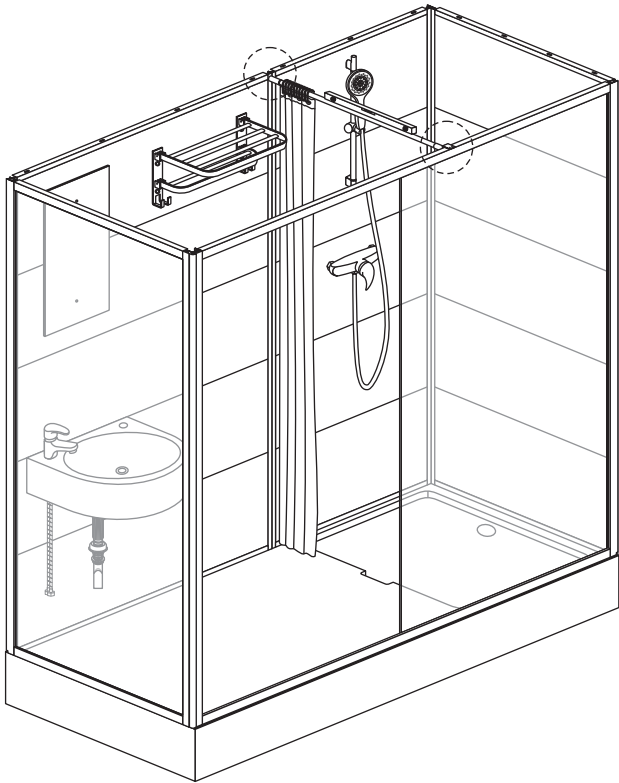
Installation instructions



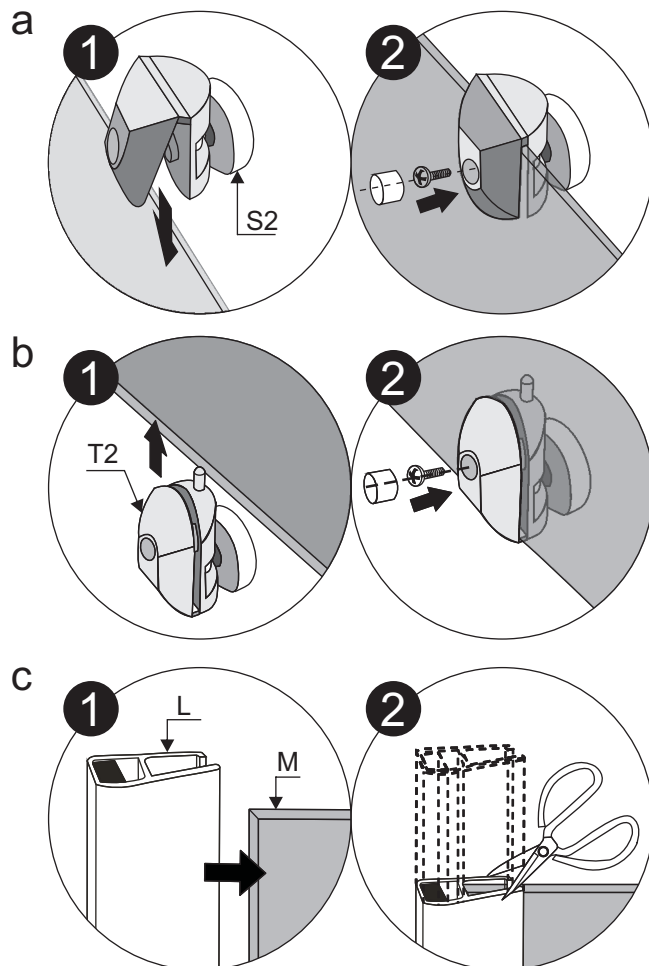
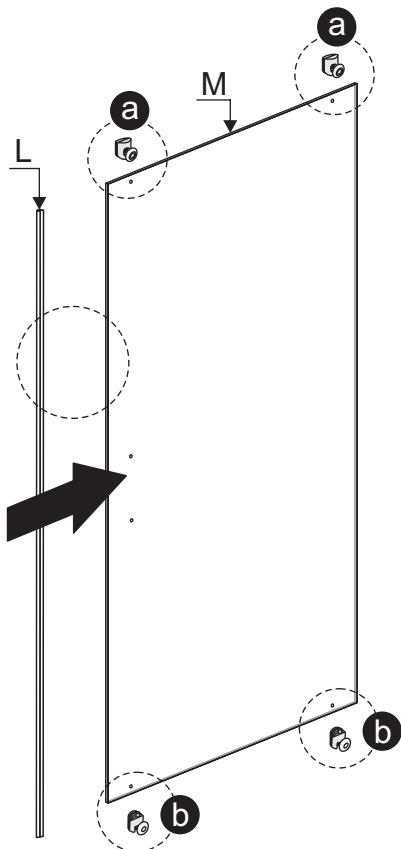
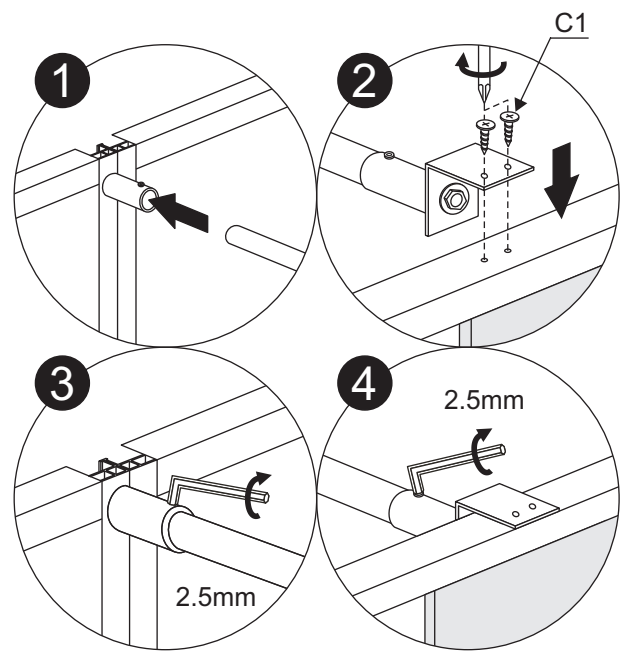
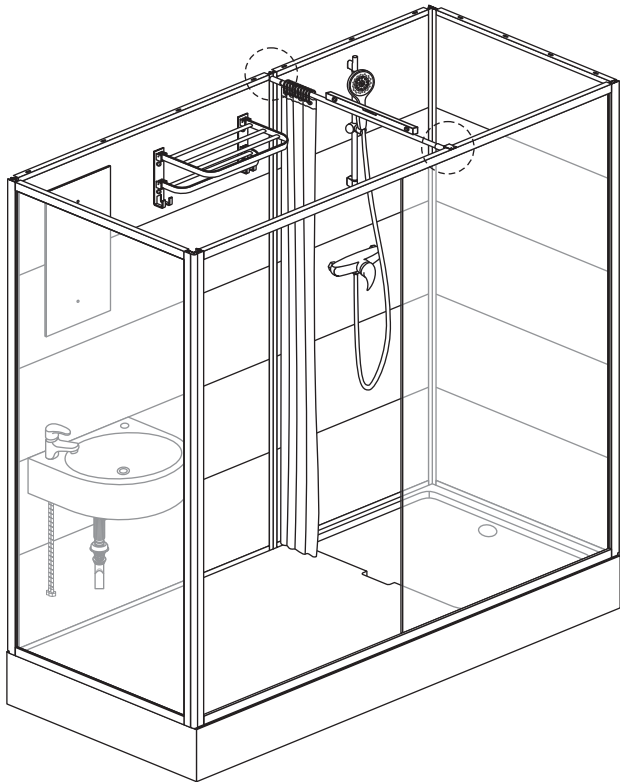
Installation instructions



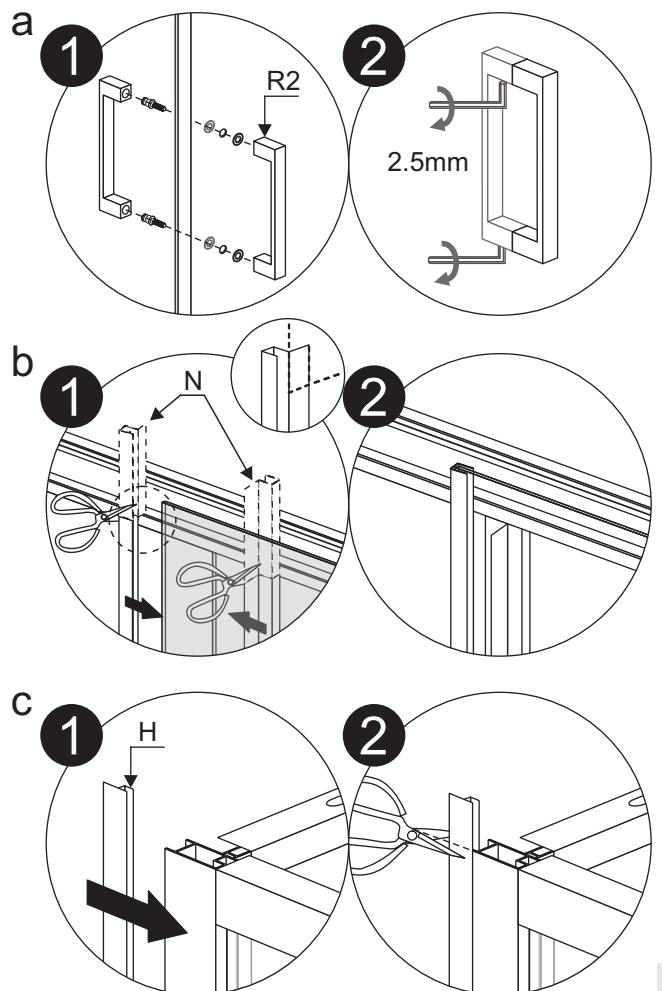
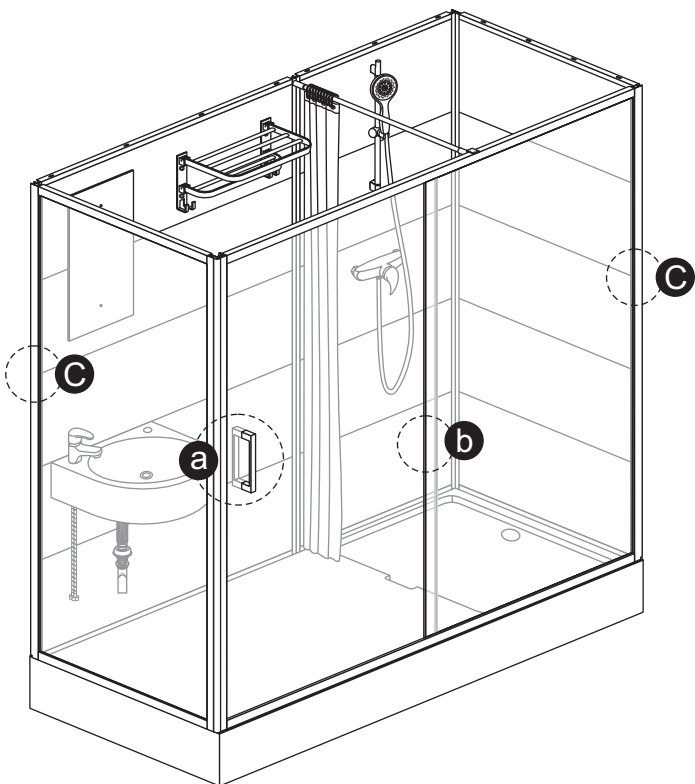
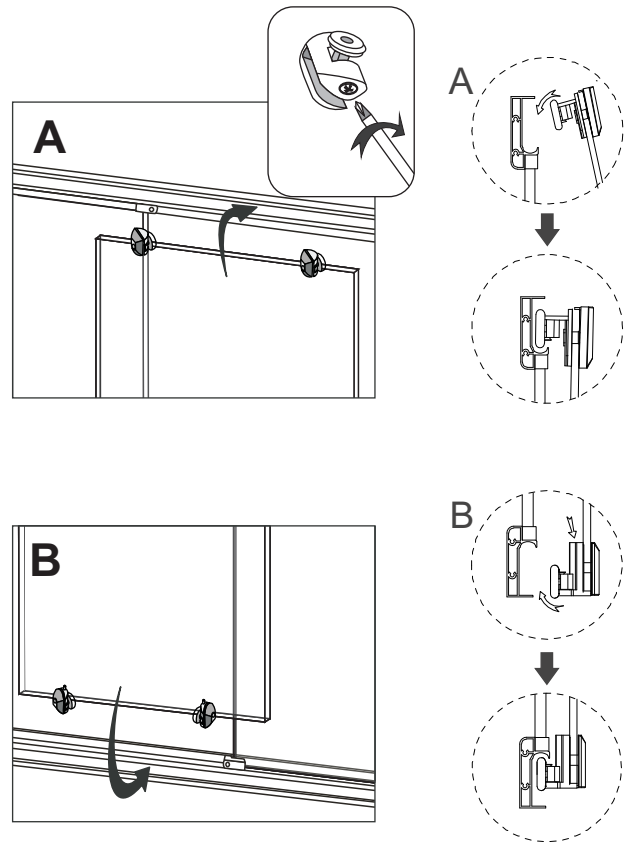
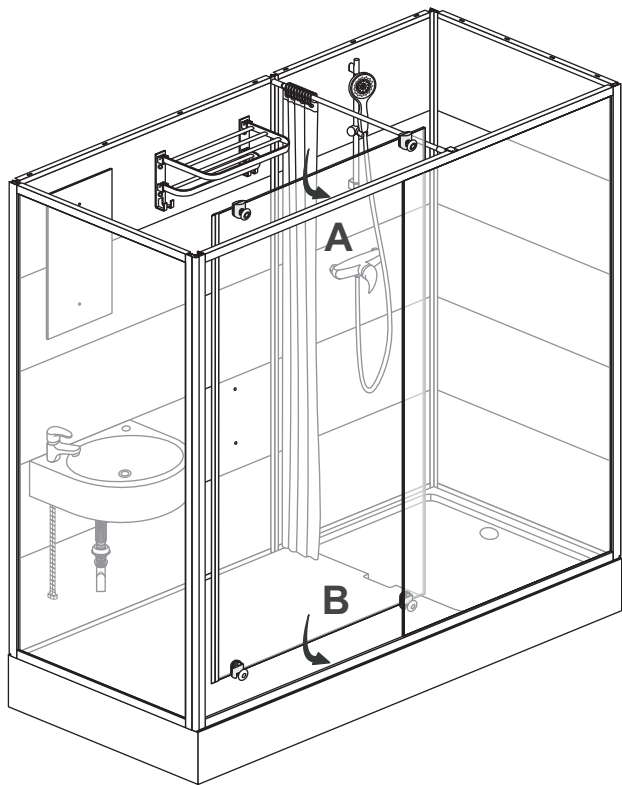
Installation instructions



Installation instructions



Installation instructions



Installation instructions

