

NORA

Datasheet - SMART HOME CHARGING



www.raedian.com



1. General

Charging connector

IEC 62196 Type 2 cable 5m,
Type 2 socket

Authentication methods

Plug & Charge
RFID
Push Start button
RAEDIAN APP via BLE
OCPP Backend

HMI & indication

RGB Logo LEDs;
RGB Status LEDs

Nominal output voltage

Single phase: 230VAC \pm 20%
Three phase: 230/400VAC \pm 20%

2. Connectivity

Vehicle communication

Mode 3 in accordance with IEC 61851-1
ed. 3 (2017)

RFID authentication

ISO/IEC 14443A/B, 13.56 MHz

Connectivity to backend

Wi-Fi: 2.4GHz, 802.11 b/g/n
4G: LTE CAT I, LTE-FDD:
B1/3/5/7/8/20/28

Maximum output power

Single phase up to 7.4kW.
Three phase up to 22kW with
downgrade compatibility

Earthing system

TN/TT/IT

Protection

UVP, OVP, OCP, Relay Stuck, Over
Temperature

Residual current protection

At least Type A RCD upstream +
Integrated 6mA DC per IEC 62955

Nominal frequency

50/60Hz

Metering accuracy

Calibrated \pm 2% Accuracy

Backend protocol

OCPP 1,6(JSON) 2nd edition

Connectivity to EMS/Meter

LoRa Wireless 868MHz

Connectivity to smart phone

Bluetooth

SIM card

eSIM: Integrated

3. Load Management Options

- Connect to Air DLM Kit for Dynamic Load Balancing and Solar Charging;
- OCPP backend load management;
- Static load management setting in RAEDIAN APP, RAEDIAN Install APP.

4. Operating Conditions

Operating temperature

-30 ~ 55°C with derating
mechanism

Relative humidity

5% ~ 95%

Electrical safety class

Class I

Degree of protection (housing)

IP55

IK protection (mechanical impact)

IK10

Operating altitude

2000m

Standby power

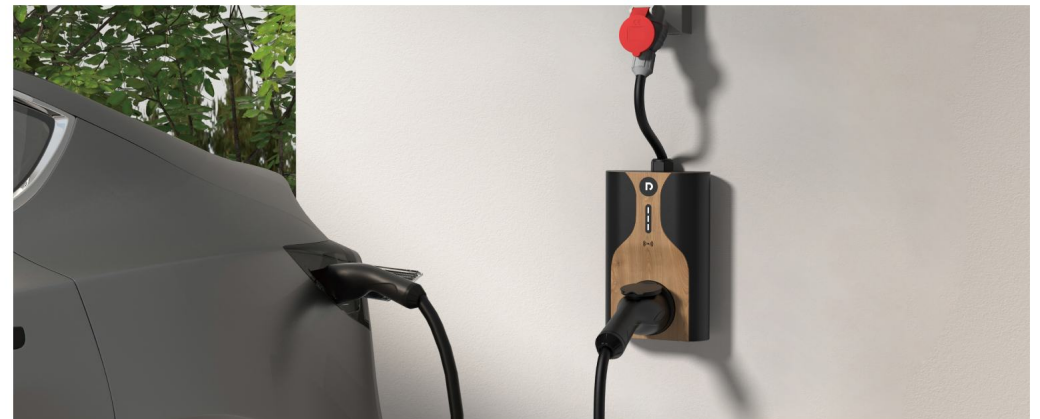
4.8W

Environmental conditions

Indoor / outdoor use

EMC Environmental conditions

Class B residential according to
IEC 61851-21-2



5. Mechanical

Mounting options

Wall mounted
Pedestal

Material

Polycarbonate, UV resistant and flame retardant, UL94 V0

Casing (exterior) dimensions (H x W x D)

260 x 168 x 86 mm

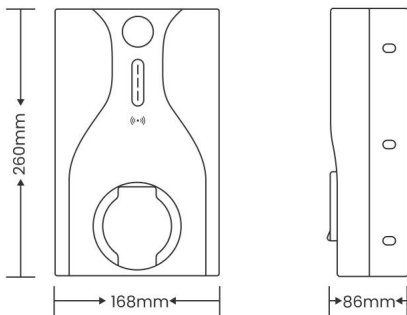
Packaging dimensions (H x W x D)

430 x 360 x 130 mm (socket variant)

430 x 205 x 320 mm (cable variant)

Weight

3.9 - 6.2 kg



Safety

EN 61851-1, EN 62955, EN 62196,
EN 61439

EMC

EN 61851-21-2:2021
EN 301489-1 V2.2.3:2019
EN 301489-3 V2.3.2:2023
EN 301489-17 V3.2.5:2022
EN 301489-52 V1.2.1:2021

RED

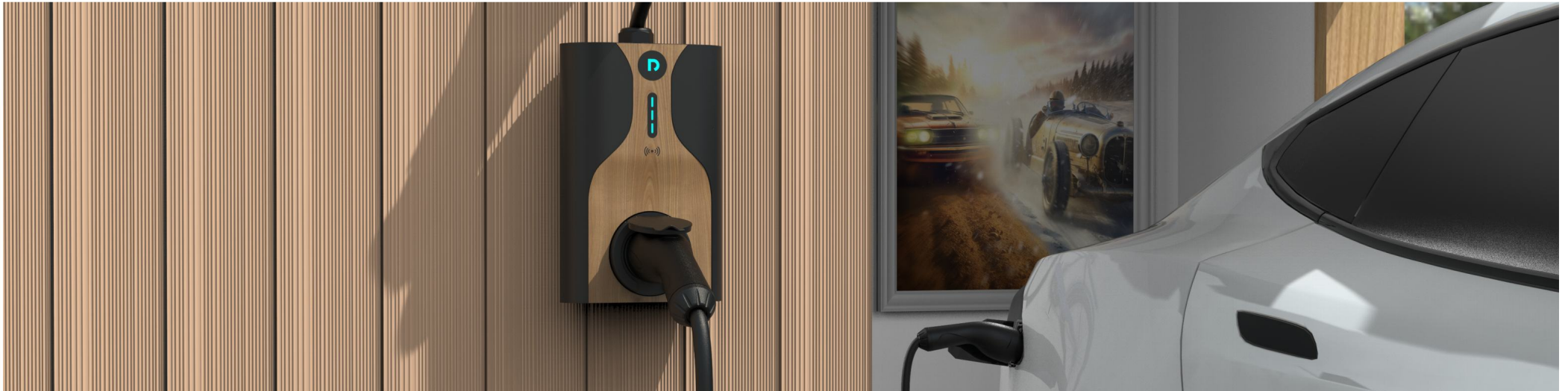
EN 300328 V2.2.2:2019
EN 300330 V2.1.1:2017
EN 301908-1 V15.1.1:2021
EN 301908-13 V13.2.1:2022

Health

EN 62311:2008
EN 50663:2017
EN 61000-6-2:2016
EN 61000-6-3:2006

RoHS




Directive 2011/65/EU & (EU)2015/863
Annex II



NORA

Rev 1.0 - 2024

Available Colors

-  Black/Woodgrain
-  Black/Red
-  Silver/Black



Product Variants

CEE Plug

Model	Part no.	Description
<input type="checkbox"/> NORA 7-T5-C1M-W-0000	9101000011112	7kW, Cable 5m, WiFi, BLE, RFID, CEE 1P32A, Wood
<input type="checkbox"/> NORA 11-T5-C2M-W-0000	9101000021122	11kW, Cable 5m, WiFi, BLE, RFID, CEE 3P16A, Wood
<input type="checkbox"/> NORA 22-T5-C3M-W-0000	9101000031132	22kW, Cable 5m, WiFi, BLE, RFID, CEE 3P32A, Wood
<input type="checkbox"/> NORA 22-T5-E-C3M-W-0000	9101000032132	22kW, Cable 5m, 4G, WiFi, BLE, RFID, CEE 3P32A, Wood
<input type="checkbox"/> NORA 7-S-C1M-W-0000	9101000011212	7kW, Socket, WiFi, BLE, RFID, CEE 1P32A, Wood
<input type="checkbox"/> NORA 11-S-C2M-W-0000	9101000021222	11kW, Socket, WiFi, BLE, RFID, CEE 3P16A, Wood
<input type="checkbox"/> NORA 22-S-C3M-W-0000	9101000031232	22kW, Socket, WiFi, BLE, RFID, CEE 3P32A, Wood
<input type="checkbox"/> NORA 22-S-E-C3M-W-0000	9101000032232	22kW, Socket, 4G, WiFi, BLE, RFID, CEE 3P32A, Wood

Hardwire

Model	Part no.	Description
<input type="checkbox"/> NORA 7-T5-H-W-0000	9101000001112	7kW, Cable 5m, WiFi, BLE, RFID, 1.8m Hardwire, Wood
<input type="checkbox"/> NORA 11-T5-H-W-0000	9101000001122	11kW, Cable 5m, WiFi, BLE, RFID, 1.8m Hardwire, Wood
<input type="checkbox"/> NORA 22-T5-H-W-0000	9101000001132	22kW, Cable 5m, WiFi, BLE, RFID, 1.8m Hardwire, Wood
<input type="checkbox"/> NORA 22-T5-E-H-W-0000	9101000002132	22kW, Cable 5m, 4G, WiFi, BLE, RFID, 1.8m Hardwire, Wood
<input type="checkbox"/> NORA 7-S-H-W-0000	9101000001212	7kW, Socket, WiFi, BLE, RFID, 1.8m Hardwire, Wood
<input type="checkbox"/> NORA 22-S-H-W-0000	9101000001232	22kW, Socket, WiFi, BLE, RFID, 1.8m Hardwire, Wood
<input type="checkbox"/> NORA 22-S-E-H-W-0000	9101000002232	22kW, Socket, 4G, WiFi, BLE, RFID, 1.8m Hardwire, Wood

NORA

Rev 1.0 - 2024

DISCLAIMER

- The reproduction, distribution and utilization of this document, as well as the communication of its contents to other parties without explicit authorization by RAEDIAN is strictly prohibited.
- The information in this document is for information purposes only, is provided as is, and may be subject to change without notice. RAEDIAN does not accept any liability for the correctness or completeness of the information and illustrations, and is not liable or responsible for your considerations, assessments, decisions or absence of such, or other use of the information in this document.

REMARK

- All models listed are standard products. If you need products in other colors besides black/woodgrain or have any customization needs, please feel free to contact RAEDIAN distributors or resellers.
- The models marked with “” are in stock in EU. For further information like MOQ or other details, please feel free to contact RAEDIAN distributors or resellers.

Accessories



Pedestal

For charging station mounting

Pedestal with roof, double side installation, cable hook

- Dimension(HxWxD): 1,600 x 300 x 200 mm
- Color: Black
- Packaging(HxWxD): 1,610 x 360 x 210 mm
- Weight: 11.6 kg
- Material: Aluminium Alloy

Part no. 900600000011



RFID Card

5*RFID: RFID Card, Home, 5 Cards

Part no. 9003000000001



EU Adaptor Pack 22kW

NORA Adaptor Set 22kW to

- CEE 3P 16A
- CEE 1P 32A
- Household plug (Type E/F, Type G, Type L)

Part no. 9011000000531



Cable Hook

Convenient for keeping your charging cable organized

- Color: Black
- Weight: 0.106 kg

Part no. 9005000000001



EU Adaptor Pack 7kW

Model: NCB7-EU

NORA Adaptor Set 7kW to Household plug
(Type E/F, Type G, Type L)

Part no. 90110000000311



Charging Cable

T2 to T2, 5m, 1-phase, up to 32A(7kW)

T2 to T2, 7,5m, 1-phase, up to 32A(7kW)

T2 to T2, 5m, 3-phases, up to 32A(22kW)

T2 to T2, 7,5m, 3-phases, up to 32A(22kW)

T2 to T1, 5m, 1-phase, up to 32A(7kW)

Part no. 9022000001111

Part no. 9022000001211

Part no. 9022000003111

Part no. 9022000003211

Part no. 9022000001112