



Vehicle Blackbox DVR

Introduction

Thank you for purchasing this FHD Digital Car driving recorder. This product is based on maintaining the original appearance of the original car, and hard evidence for today's traffic accident specially developed a fashion, beautiful, convenient and durable multi-vehicle driving recorder, can record your life lit by lit and it's the best choice for escort for your trip.

The product with functions of HDR,Seamless Loop recording,Wide View Angle Shooting,LCD Playback Display/Motion Detection,Parking Mode etc and its unique design which warmly welcomed by customers.

The manual is a instruction for installation,operation,parameters and notes etc.Please read it carefully before use and keep it well,hoping the manual can help and service you in long term.Specification for reference only,please subject to the final product.We will keep the reservation for no notification for the technical changement or change directly.

Infringement of Copyright/Privacy Note

Please note that the product is only for personal use,its usage cannot violate the domestic or international copyright and Privacy laws.The recordings also for personal use,cannot spread casually.

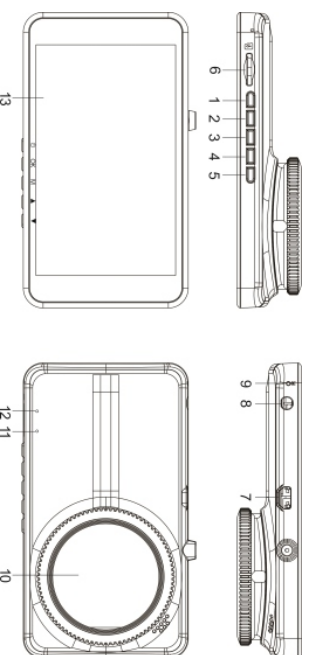
Installation

To get a larger view,should install near the rearview mirror.
Make sure that the lens within the scope of windscreen wiper to get a good vision even in rainy days.
Donnot touch the lens by fingers.Cause the grease may stay on the lens which will lead to vague images.Please
Clean the lens often.

Notes

- Use the original car charger
- Do not disassemble the cameras by yourself,which will effect the warranty
- Please ask professionals for the power circuit constructions

Product Constructure



Keys and Instructions

No.	Icon	Name	Operation
1	▼	Down/Speed Front/Back Lens Switch	In menu setting, Down key to select fuinctions; In Playback Mode, Long press the key to speed videos playback; In Standby or Recording Mode, insert rear lens, can switch among back lens./front lens./both front and back lens display.
2	▲	Up/Record/ Playback	In menu setting, Up key to select fuinctions; When camera standby, Short press the key to on/off videos; In Playback Mode, Long press the key to back videos; When camera standby, short press to open the setting menu; Continuously short press this buton can switch each Setting.
3	☰	Menu/Mode Switch	When recording, short press to lock the file; Long press to switch between Recording/Photography/ Playback;
4	OK	OK	Recording/Photography/OK; in video mode, short press to start recording, short press again to stop recording; in Photography Mode, short press to take photos; in Menu Mode, it is OK key.

5	⏻	On/Off	Long Press to turn on/off; Short press to on/off the screen saver
6	TF Card Slot	TF Card Slot	Please insert TF card in the right direction;
7	USB Interface	USB Interface	Power Supply; Connect PC :
8	Rearview Port	Rearview Port	Connect rearview lens : Please install in right direction ;
9	Reset	Reset	Press reset to restart system;
10	Front Lens	Front Lens	Used to shoot image :
11	Charging Indication Light(Red)	Charging Indication Light(Red)	Connect the power indicator light, when full charged, light off :
12	Working Indication Light(Blue)	Working Indication Light(Blue)	Light flashed slowly when recording, fast flash when upgrading FW, Keep on when no recording;
13	Screen	Screen	Display

Installation

1、Insert TF Card

Please insert TF card in the right direction;

Please try to use the high speed card (better Class10)

Note:Please format the TF card when use first time.

2、Take out card

Press the card to pop-out. Note: Please not take out of card when camera working, avoiding card damage.

3、Fix the camera to the windshield in front of rearview mirror.

- Connect the camera with sucker, tight mount to the suction cup base and keep the lens same horizon with the group;
- Fix the sucker on suitable position of the windshield
- Press the clip to fix tightly in the windshield of the rearview mirror.

4、Connect Power

Please use the original car charger to charge for the camera. Car

engine on, camera automatically on and charging.

5、On/Off

(1)Auto On/Off:Once car engine on,camera on automatically and recording;Once car engine off,camera automatically save the videos and off in 15 seconds.

(2)Manual On/Off:Long press  key to on/off

Default Settings

Date and Time Setting:

1、Camera can recording automatically once turned on,short press OK key to enter standby mode.

2、Press  Twice Then press  or  to select date and time press OK again to set.

Operation for Recording

1、Car engine on,camera auto on to record. Car engine off,camera end recording and off;You can also press OK key manually to stop recording.

Note:Some chargers can supply power continuously even after car engine off.In this case,please on/off camera manually or pull out of charger from cigarette lighter

2、Other Types of Recording Press OK to record,press again to stop recording.

Note:(1)Video files saved in 1min,3mins,5mins.For details,please refer to the loop recording menu.

(2)Video files will save in the TF card.If card full,the previous files will be covered.

(3). Video files of G-sensor or SOS cannot be covered,need delete

manually.

3、SOS

Note:G-sensor on,once collision to the car,camera will lock the current video file and cannot be covered.

Operation for Photography

1、Long press ,Switch to photography mode,there is an icon in the left upper corner.

2、Short press OK to take photo screen flashes when taking.

Operation for Video/Photo Playback

1、In recording mode,first press OK key to stop.

2、Long press  twice,switch to playback mode,there is an icon in the left upper corner.

3、Short press  or  to select files

4、Short press OK to play the selected video;short press again to stop playing.

Operation for menu setting

1、In video mode,first press OK to stop recording.

2、Short press  key,you can see setting menu.

3、Select the options which need change,press OK key to enter.

4、Once setting finished,short press  key to exit.

Functions:

1、G-sensor

G-sensor on,camera will save the video files automatically if an accident and cannot be deleted.

Press  to save SOS files manually and cannot be deleted.

G-sensor sensitivity can set High-Middle-Low,default Middle.

2、SOS

Press  key when recording camera will save the current video file and cannot be deleted.



3、Parking Mode

1.Parking Mode on,when car engine off,camera will off automatically and will restart to recording if any collision or crash to the car;It normally record 10-15 seconds then off automatically.

2.In parking mode,The video resolution is 1080P/25fps and save the files automatically.

Note Parking Mode works only on the condition that camera off automatically,cannot work if off manually.

4、Motion Detection

Motion Detection on there is an icon  in the upper corner;If there is moving object,camera start recording;if no any moving object,camera will back to standby mode .

5、USB Mode

Connect USB cable to the PC,Camera will pop out 3 options:

a.Disk

For the storage of video files and photos.

b.PC Camera

Use as PC Cam to take photos and online video chatting

c.Charge

Supply power to the camera

6、Instruction for Battery

Power indication as below:



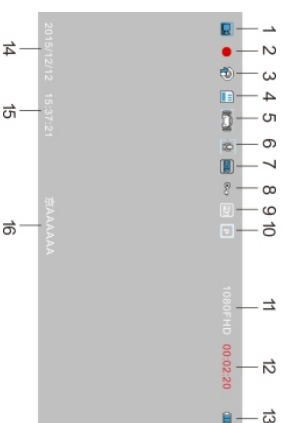
Indication light turn in red when charging, light off once full charged.It takes 180mins to full power.

Note:Built-in battery only for saving files when parking,please connect with car charger to use when driving.

7、RESET

If camera work abnormally or crushed,please try to reset with a small pin to the reset hole.

Interface Icon




1、 : Video Icon,Video Mode;

2、 : Photography Icon,Photography Mode;


3、 :Playback Icon,Playback Mode;

4、 : Camera working when red flashes Motion Detection

5、 : Standby when yellow flashes.

6、 : Loop recording 1min per file;

7、Menu options:  —  —  — Off

- 4、: TF Card Icon;
 - 5、: G-sensor Icon;
G-sensor on,the icon will show on the screen If any collision to the car,the videos will be saved as non-deleted files.
 - 6、: Audio Open Icon;
:Audio Off Icon;
 - 7、: WDR Icon,If function on,there is an icon in the left corner.
WDR can adjust the the variation in light levels,can make dark part or bright part visible.
 - 8、: The icon showed by SOS;
G-sensor works,the icon will show in the screen.It means the current video files are locked;
 - 9、: Motion Detection Icon,If the icon showed in the left screen,function of motion detection is on.
 - 10、: Parking Mode Icon; If the icon showed,parking mode function is on;
 - 11、1080FHD:Video Resolution Icon Show the current video resolution;
 - 12、00:02:20 :White Font—Rest time recording of the card storage /Red Font—Current recording section;
- Insert TF Card,the rest recording time of card space show in standby mode,White Font;When recording,Display the time of current video section,Red Font;
- 13、: Battery Icon;Show the power left
 - 14、2015/12/12 :Date;
 - 15、15:37:21 :Hour/Min/Sec.

Setting Menu

Menu Setting	Instruction	Options
Video Resolution	Set the video resolutions	Front: 1296P 1920x1296P, FHD 1920x1080P, 720P 1280x720P, WVGA 848x480P Rear: VGA
Photo Resolution	Set the photo resolutions	12M
Recording Time	Loop Recording	1min、 3mins、 5mins
Motion Detection	In standby mode, if any moving objects, camera start recording automatically	On/Off
Auto Recording	Auto recording once camera on	On/Off
Screen Saver	Screen Saver Function	3mins/ 5mins/10mins/Off
Audio	Sound on/off when recording	On/Off
Parking Mode	Car engine off,if any collision to the car,camera on and recording automatically	On/Off
G-sensor	Video files cannot be covered if recorded by G-sensor working	Low/Middle/High/Off
Date	Date and Time for the recorded videos	Can set Year/Month/Day/ Hour/Min/Sec.
Language	Language in the menu	Russian,Chinese,English, Polish...
Time Watermark	Time displayed in the video	On/Off
Format	Delete all the data of the card	SD Card
Reset	Default Setting	Cancel/OK
Version	FW version	FW Version

Specification :

Name	Split Dula-lens Car DVR
Features	170 Degree View Angle, Large Screen Display
G-sensor	Built-in
Display	4.0" IPS Large Screen Display
Lens	170 Degree View Angle
Language	Multi-language supported
Video Format	MOV/H.264
Video Resolution	Front: 1296P 1920X1296P, FHD 1920X1080P, 720P 1280X720P, WVGA 848X480P Rear: VGA
Color	Standard
Loop Recording	Supports
Auto On/Off	Auto On/off once car engine on/off
Motion Detection	Supports
Date/Time	Supports
RAM	Total 1024MB
Photo Resolution	Max Supports 12MP
Photo Format	JPEG
Storage Card	TF Card (Max support 32GB)
MIC	Supports
Built-in Speaker	Supports
Parking Mode	Supports
HDR	Support
Frequency	50HZ/60HZ
USB Function	1.Mass Storage;2.PC Camera
Power Interface	5V, 1A
Battery	Built-in Li-Ion Battery

Problems

If have problems as below,please refer to the solutions :

Cannot turn on :

Check if the car charger connected to the cigarette light.If turn on manually,then check if low power.

If FW problem,press RESET to back default setting.

End up recording or non loop recording in video mode :

Please use high speed TF card (C10 above) cause big video data and high speed requirements of the camera.

When G-sensor on,If card full of SOS files,loop recording also cannot work.Please off the G-sensor and format the TF card.

Recording :

Please check if the motion detection on,Video recorded by motion detection working,recording time depends on the moving objects.

Images in Vague :

Please check if there is any dirty or finger print in the lens.Clean the lens first and keep it clean.

Videos sometimes good somethings bad :

It is relevant with light environment.Different effect in back light,front light,strong light,weak light.....

Stripes flashes in the images :

It is due to the frequency.Normally 50HZ in China,60HZ overseas.

Remarks

a.If camera crashed,press RESET and turn on again.

b.Camera used in different condition,specification maybe a little

difference.

c.If there is any difference of the box and images in the manual,please subject to the final product.

Disclaimer:

Car Camcorder is the recording instrument of video, audio and other related information for vehicle on the road ,its files are only as auxiliary reference for accident .

Special version: The device must records files under normal recording status.

But in the following situation, it will lead to files to be damaged or lost;

1. If pull out the TF card in the recording status, final video files will be damaged or lost.
2. If there is illegal blackout in the recording status, final video files will be damaged or lost.
3. If there is a destructive collision in the recording status, video and audio files will be damaged or lost.
4. If there is a destructive collision in the recording status so that Memory card is loose, video and audio files will be damaged or lost.

The audio and video of car camcorder is only for a reference, we don't take any responsibility due to data-loss under the abnormal circumstances.