

INNOVV™

Protect Your Road Trip and Record Fun On The Way

INNOVV K7 Camera System

Intended For Powersports (Motorcycle, ATVs, UTVs & Others)
www.innovv.com | shop.innovv.com

Product Overview

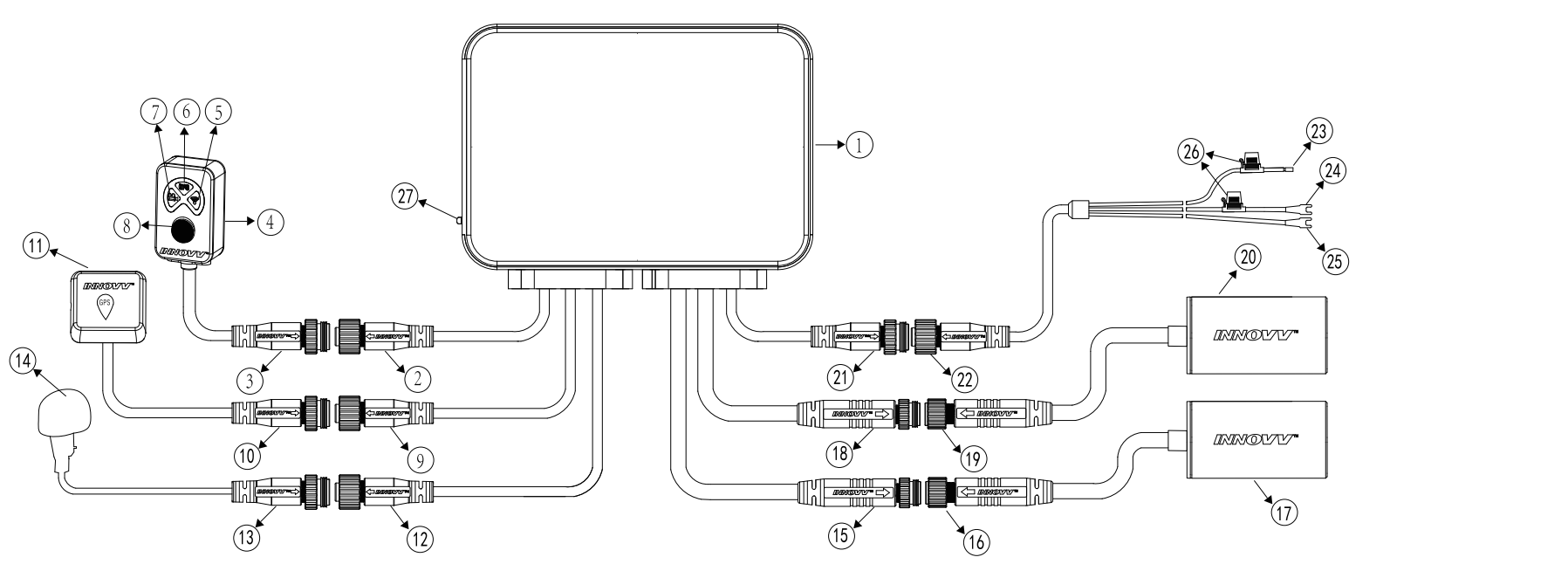
INNOVV K7 is a high-end motorcycle dash cam with 2K+2K at 30FPS or 1080P+1080P at 30FPS when EIS (Electronic Image Stabilization) is on, with industry-leading digital filming technology and stylish APP preview function. The aluminum alloy body is sturdy and durable, and the two independent cameras are small and easy to install. With high-end photography solutions, the INNOVV K7 motorcycle dash cam can record every wonderful moment with ease.

Product Features:

- Front and rear dual channel recording with resolution of 2K+2K at 30FPS or 1080P+1080P at 30FPS with EIS.
- Intelligent EIS technology.
- F1.8 large aperture, effectively improve image quality at low-light environment.
- 10Hz high-speed GPS for more accurate route tracking.
- Supports TF card with capacity up to 512GB.
- Dual-band Wi-Fi (5.8G/2.4G) with faster transmission and more stability.
- The full body is IP67 waterproof to withstand rain and dust outdoors.

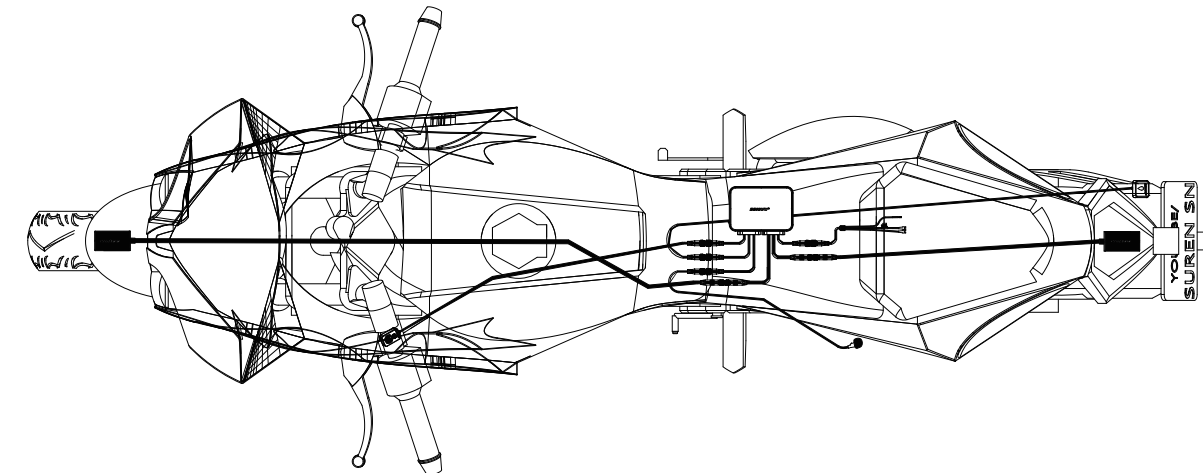


Product Introduction



- | | | |
|---|--|--|
| 1. DVR | 10. GPS Cable (3-Pin Male) | 19. Front Camera Cable (6-Pin Female) |
| 2. Remote Control Cable Connected to DVR (6-Pin Female) | 11. GPS Module | 20. Front Camera |
| 3. Remote Control Cable (6-Pin Male) | 12. Microphone Cable Connected to DVR (2-Pin Female) | 21. Power Cable Connected to DVR (4-Pin Male) |
| 4. Remote Control | 13. Microphone Cable (2-Pin Male) | 22. Power Output Cable (4-Pin Female) |
| 5. Wi-Fi Indicator | 14. Microphone | 23. ACC Wire (Offers 12V Switch Power Source After Ignition) (Yellow Wire) |
| 6. GPS Indicator | 15. Rear Camera Cable Connected to DVR (6-Pin Male) | 24. Positive Terminal of Power Supply (Red Wire) |
| 7. Recording Indicator | 16. Rear Camera Cable (6-Pin Female) | 25. Negative Terminal of Power Supply (Black Wire) |
| 8. Function Button | 17. Rear Camera | 26. Fuse Holder |
| 9. GPS Cable Connected to DVR (6-Pin Female) | 18. Front Camera Cable Connected to DVR (6-Pin Male) | 27. TF Card Port |

Installation Diagram



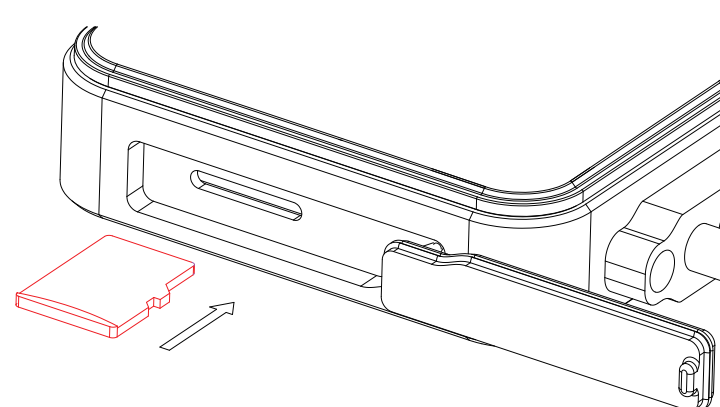
www.innovv.com

Installation

Tips: Please refer to the installation diagram and use the accessories in the package to install the product on your bike.

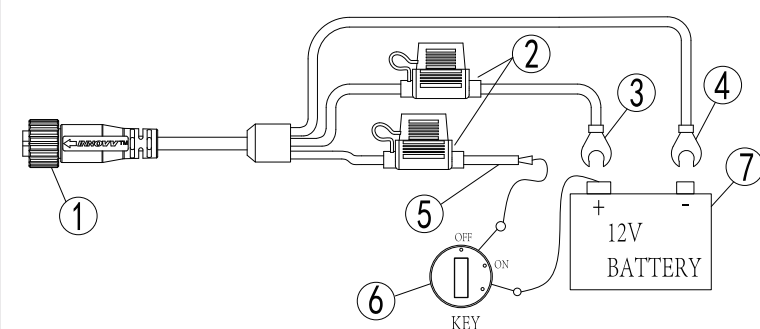
Memory Card Installation

- Please refer to the illustration to open the cover.
- Refer to the direction of arrow, correctly insert the TF card, then put the cover back and press it to flat. If the cover is not properly fixed in place, water may enter and damage the DVR



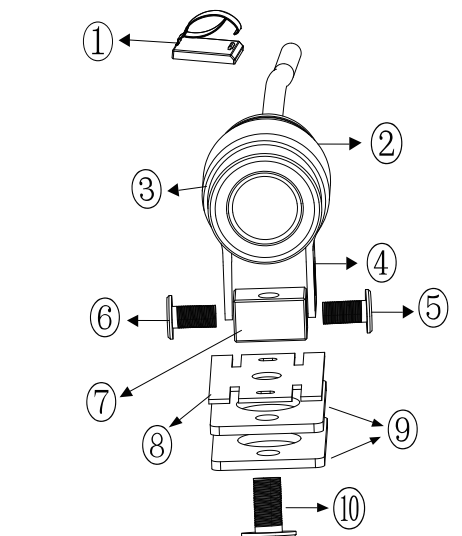
Electrical Connection Instruction

- Power Output Cable (Connected To The DVR) (4-Pin Female)
- 1A Fuse Holder
- Red Wire (Connected To The Positive Terminal of The Battery)
- Black Wire (Connected To The Negative Terminal of The Battery)
- Yellow Wire (Connected To The ACC Wire)
- Motorcycle Electric Door Lock
- Motorcycle Battery



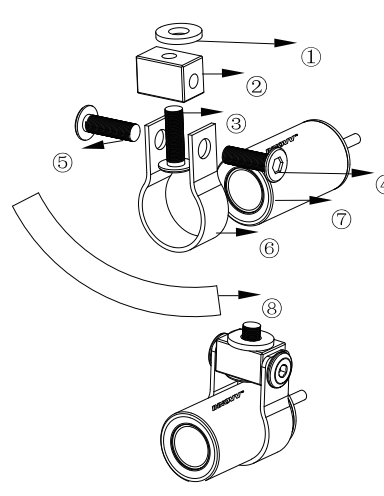
1. Camera Installation Method-1 (With Deformable Metal Plate)

- Cable Clip
- Camera
- 3M Rubber Cushion
- U-Shaped Bracket
- Two M6*8mm Screws
- Small Block
- Deformable Metal Plate
- 3M Double-sided Tape
- One M6*12mm Screw



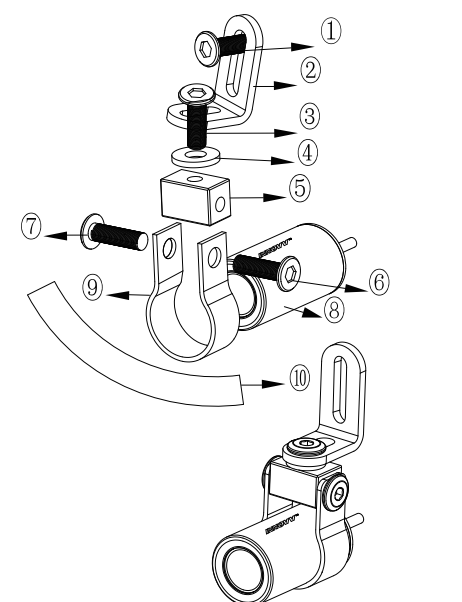
2. Camera Installation Method-2 (Without L-shaped Bracket)

- Rubber Mat
- Small Block
- One M6*25mm Screw
- Two M6*8mm Screws
- U-shaped Bracket
- Camera
- 3M Rubber Cushion



3. Camera Installation Method-3 (With L-shaped Bracket)

- One M6*25mm Screw
- L-shaped Bracket
- One M6*12mm Screw
- Rubber Mat
- Small Block
- Two M6*8mm Screw
- U-shaped Bracket
- 3M Rubber Cushion

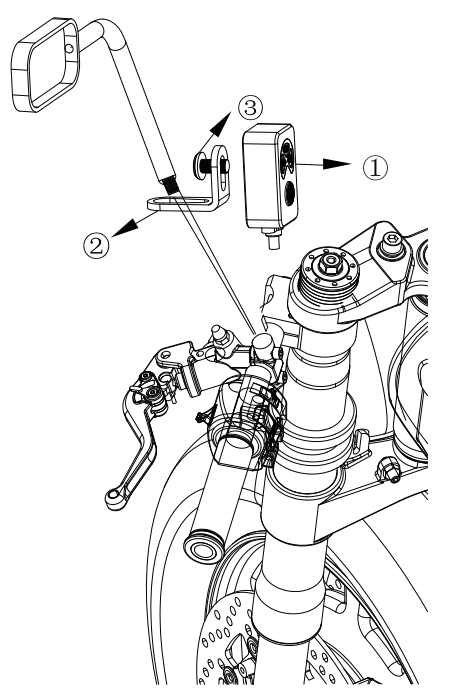


Remote Control Instruction

LED Indicators	Statuses	Off	Solid on	Flash quickly (flash 5 times/second)	Flash slowly (flash twice/second)	Flash quickly for a long time (flash twice/second)	Flash quickly (flash twice)
Not working	Wi-Fi off	Connected	One of cameras disconnected	Connecting			
	GPS off	Connected	---	Connecting			
	Firmware Updating	Wi-Fi indicator flashes alternately with recording indicator					
Instruction of the function button on remote control <ol style="list-style-type: none"> Starting current video by pressing the button for once. Photo taking by pressing the button twice in a short time. Factory reset by pressing the button for 10 seconds. 							

Remote Control Installation

- Remote control
- L-shaped bracket
- One M6*8mm screw



www.innovv.com

INNOVV™

Protect Your Road Trip and Record Fun On The Way

INNOVV K7 Camera System

Intended For Powersports (Motorcycle, ATVs, UTVs & Others)
www.innovv.com | shop.innovv.com

App Instruction

Download And Installation

iPhone: Please search the INNOVV in the Apple store or scan the QR code on the right, and install it on your phone.
Android: Please search the INNOVV in the Google play or scan the QR code on the right, and install it on your phone.
Please power on the K7, then search the INNOVV Wi-Fi (INNOVV_K7_xxxx) and connect it with the default password 12345678.
*The blue light indicator (Wi-Fi) on the K7 remote control will be solid on after the Wi-Fi is connected.



Apple Download



Android Download

Notice:

- You may get a message that "Allow INNOVV to Use Your Location?" for the first time when you enter the App, please click "Allow While Using App".
- You may get a message "INNOVV Would Like to Access Your Photos" for the first time when you enter the App, please click "Allow Access to All Photos".
- *Some Android users may get a message that "This WLAN Network Has No Internet Access, Connect Anyway?"; please click "CONNECT" to continue the network connection, or the App will not be able to connect to the DVR.
- You may get a message that "Please Ensure The Device is Connected" in the network connection, please click "OK", or the App will not be able to connect to the DVR.

App Interface

- Camera, Video, G-Force values, Longitude and latitude, Date & time, Video stamp, Start/stop recording, Shutter button, Select videos, Search videos, Videos by rear camera, Videos by front camera, All videos by front & rear camera, Files stored locally, Files stored on DVR, Photos are stored here, File path for the downloaded file, Current firmware version number, Current App version number, Current Lens version number.

The instruction manual was made in Feb 2024. Due to product upgrades, INNOVV reserves the right to make final revisions to the instruction manual without further notice.

www.innovv.com

INNOVV™

Protect Your Road Trip and Record Fun On The Way

INNOVV K7 Camera System

Intended For Powersports (Motorcycle, ATVs, UTVs & Others)
www.innovv.com | shop.innovv.com

1. TF Card Instruction

The K7 supports TF cards with a capacity ranging from 8GB to 512GB. The selected TF card should have a writing speed higher than U1.

3. How to Update Firmware

- Copy the firmware (IN-K7-1.bin) to the root of the TF card. (Please use 8 to 32GB TF cards and the TF cards should be formatted into FAT32 in advance.)
- Insert the TF card into the camera and turn it on, when the remote control blue light and green light blinking alternately, please wait until the lights are off.

*Please do not power off and operate the K7 while it is updating. After the successful upgrade, the K7 will automatically boot up and the red light will solid on. The firmware will be deleted once updating is finished.

6. Microphone Instruction

The open foam cover around the microphone reduces the impact of wind noise. It is recommended to position the microphone in the opposite direction to further minimize wind noise.

8. G-sensor Instruction

There are 5 grades for the G-sensor's sensitivity, adjust the sensitivity of the G-sensor by INNOVV App according to different road conditions.
*The smaller the value, the lower the sensitivity of the G-sensor.

Specification

DVR Parameters			
DVR size	81*56*25mm	Video format	MP4
DVR weight	150g	GPS	10Hz
Color	Black	Input voltage	9-16V
Processor	Dual core A9	ACC input voltage	9-16V
RAM	4G	Working current	12V 0.6A
Sensor	G-sensor, Gyroscope	Working temperature	-30°C~40°C
Storage method	TF card	Storage temperature	-30°C~70°C
Wireless connections	Wi-Fi dual-band (2.4G/5.8G)	Waterproof level	IP67
Front camera		Rear camera	
Camera size	Dia 25*14mm	Camera size	Dia 25*14mm
Max resolution	2K@30FPS	Maximum resolution	2K@30FPS
Field of view	120°	Field of view	120°
Lens structure	6G+1IR	Lens structure	6G+1IR
Aperture	F1.8	Aperture	F1.8
Cable length	1.5m	Cable length	2m
Weight	110g	Weight	120g
Video Resolution			
Front camera and rear camera	2K@30FPS+2K@30FPS 1080P@30FPS+1080P@30FPS+EIS 1080P@60FPS+1080P@60FPS		

Packing List

Items	Quantity
K7 DVR	1 pcs
Front camera	1 pcs
Rear camera	1 pcs
Remote control	1 pcs
Microphone	1 pcs
GPS module	1 pcs
Accessories	1 set
Manual	1 pcs

Customer Support

For more information about INNOVV products and accessories, please refer to www.innovv.com or www.innovv-powersports.com. For any suggestions or customer support, please contact us by sending an E-mail to cs@innovv.com.

www.innovv.com