



Space Saving Chart
SSC-370



THE ART OF EYE CARE



Create Your Space

Limited space is not a problem anymore.

The built-in optical system presents charts toward the back of the chart window to realize space saving examination equivalent to the standard refraction distance. It allows effective room utilization. Stable chart presentation without being affected by environmental factors such as incident sunlight offers comfort refraction experience.

Selectable Installation Distance

The space saving chart SSC-370 achieves the refraction distance of 4 to 7 m with an installation distance of 0.6 to 1.6 m*.

* The installation distance differs depending on the chart type and refraction distance.

Chart	Installation distance	Refraction distance
Type T	1.1 m	5 m
	0.6 m**	5 m
	0.9 m**	4 m
	1.3 m**	6 m
	1.6 m**	7 m
Type UK	1.1 m	6 m
	0.9 m**	5 m
	1.3 m**	7 m
	1.5 m***	6 m
Type M	1.1 m	5 m

** Optional

*** Available for the SSC-370 of 1.5 m type

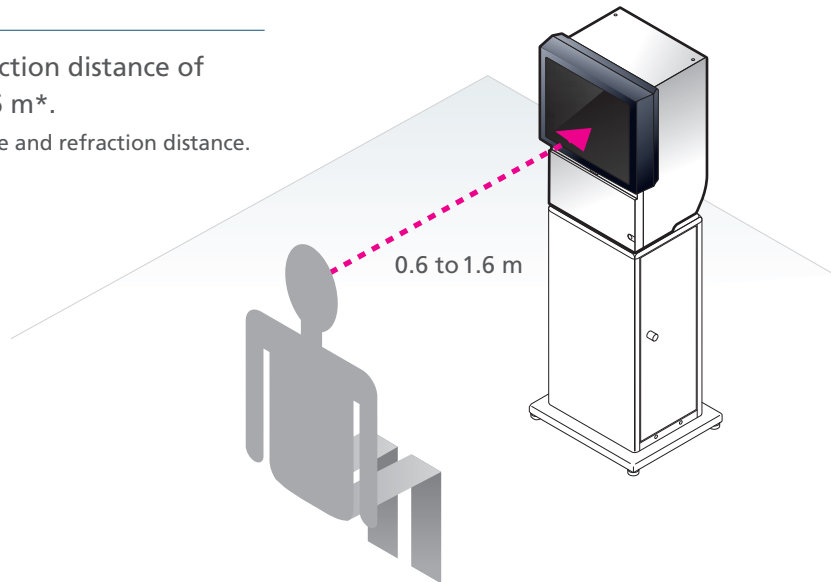
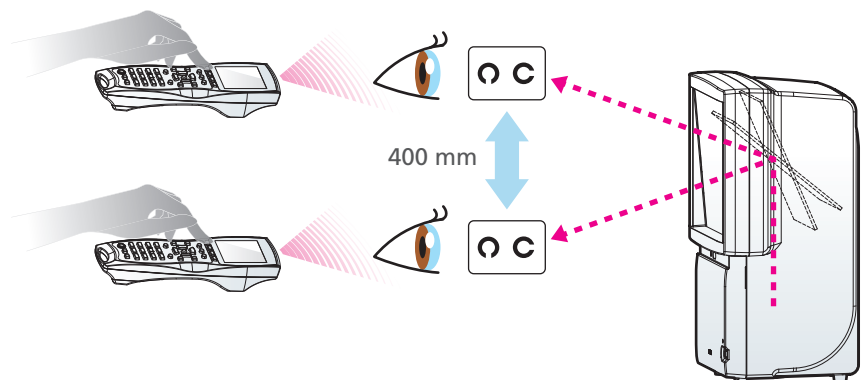


Chart Position Adjustment

Simple remote control operation allows chart position to be adjusted so that each patient can see the chart properly.



System Integration

The SSC-370 can be synchronized with the NIDEK Intelligent Refractor by optional connection cable for more refined and smoother examination. Charts can be smoothly presented by Intelligent Refractor control console and chart position is automatically adjusted to the height of patient's eye level.

Operation with Remote Control

The SSC-370 can be operated with an optional remote control. Its ergonomic design makes it easy to handle, and the large LCD has room to display plenty of information. A simple but well-organized button layout provides intuitive operability.



White LED Background

Adopting a white LED light source for chart background, lamp replacement is no longer necessary. It requires little maintenance, improves dustproofness and the power consumption is reduced by 45% compared to NIDEK conventional model.

Night Vision Test

The SSC-370 provides "Night Vision Test" to examine night-time visual acuity under low light condition.



Programmed Test

For easy refraction, a maximum of three test programs can be set to the remote control according to the user's preference.

Auto Test Mode

By simply pressing Yes/No button on the remote control in accordance with the patient response, the test proceeds automatically with no need to select the next chart.

Auto Light Off Mode

For power saving, the screen backlight can be set to go out automatically after the unit is idle for 5 or 15 minutes.

SSC-370 Chart Types

	Type T	Type UK	Type M
Letter	0.05 to 1.5	120 to 4	400 to 10
Tumbling E	0.05 to 1.5	—	400 to 20
Landolt C	—	120 to 4	—
Number	0.2 to 1.5	12 to 4	100 to 20
Children	0.2 to 1.0	38 to 6	80 to 20
ETDRS style letters	—	—	64 to 10
Astigmatism clock dial			—
Dots			
Red-green			
Binocular balance			
Duochrome balance			—
Stereo			
Worth for dot			
Fixation point			
Others	 Phoria Vertical coincidence Schober	 Muscle	 Phoria with fixation point Vertical line Horizontal line

SSC-370 Specifications

Refraction distance	5 m (type T, M) or 6 m (type UK)*1
Installation distance	1.1 m (type T, UK, M)*2 or 1.5 m (type UK)
Charts	28 types for type T, type M 27 types for type UK
Mask	Horizontal, Vertical, Single letter
Filter	Red/Green
Chart changeover devices	Remote control*3 (optional), Control console for the NIDEK Intelligent Refractor RT-6100/5100/3100
Chart changeover speed	0.24 seconds / 1 frame
Chart size	338 (W) x 258 (H) mm
Light source	White LED
Adjustable range of chart position*3	400 mm in the up and down directions at a distance of 0.9 m from the body
Auto light off time	5 minutes / 15 minutes / Off selectable
Power supply	100 to 240 V AC, 50/60 Hz
Power consumption	60 VA
Dimensions/Mass	396 (W) x 268 (D) x 560 (H) mm / 18.5 kg 15.6 (W) x 10.6 (D) x 22.0 (H)" / 40.7 lbs.
Standard accessories	Power cord, Polarizing glasses, Dust cover
Optional accessories	Remote control*3, Communication cable, Stand, Red-green glasses

*1 For the type T charts, optional refraction distances of 4, 6, and 7 m can be ordered.

For the type UK charts, optional refraction distances of 5 and 7 m can be ordered.

*2 For the type T charts, optional installation distances of 0.6, 0.9, 1.3, and 1.6 m can be ordered.

For the type UK charts, optional installation distances of 0.9, 1.3, and 1.5 m can be ordered.

*3 Not available for the optional installation distances of 0.6 m.

Product/Model name: SPACE SAVING CHART SSC-370

Brochure and listed features of the device are intended for non-US practitioners.

Specifications may vary depending on circumstances in each country.

Specifications and design are subject to change without notice.



HEAD OFFICE
(International Div.)
34-14 Maehama,
Hiroishi-cho, Gamagori,
Aichi 443-0038, JAPAN
TEL: +81-533-67-8895
URL: www.nidek.com
[Manufacturer]

TOKYO OFFICE
(International Div.)
3F Sumitomo Fudosan Hongo
Bldg., 3-22-5 Hongo, Bunkyo-ku,
Tokyo 113-0033, JAPAN
TEL: +81-3-5844-2641
URL: www.nidek.com

NIDEK INC.
2040 Corporate Court,
San Jose, CA 95131, U.S.A.
TEL: +1-408-468-6400
+1-800-223-9044
(US Only)
URL: usa.nidek.com

NIDEK S.A.
Europarc,
13 rue Auguste Perret,
94042 Créteil, FRANCE
TEL: +33-1-49 80 97 97
URL: www.nidek.fr

NIDEK TECHNOLOGIES S.R.L.
Via dell'Artigianato,
6/A, 35020 Albignasego (Padova),
ITALY
TEL: +39 049 8629200/8626399
URL: www.nidektechnologies.it

NIDEK (SHANGHAI) CO., LTD.
Rm3205, Shanghai Multi
Media Park, No.1027 Chang
Ning Rd, Chang Ning District,
Shanghai, CHINA 200050
TEL: +86 021-5212-7942
URL: www.nidek-china.cn

NIDEK SINGAPORE PTE. LTD.
51 Changi Business Park
Central 2, #06-14,
The Signature 486066,
SINGAPORE
TEL: +65 6588 0389
URL: www.nidek.sg