

1-4 Casambi+DALI LED-Converter 10-48V

XLED4 CV Casambi

Item No.: 10.541



maintronic



CASAMBI

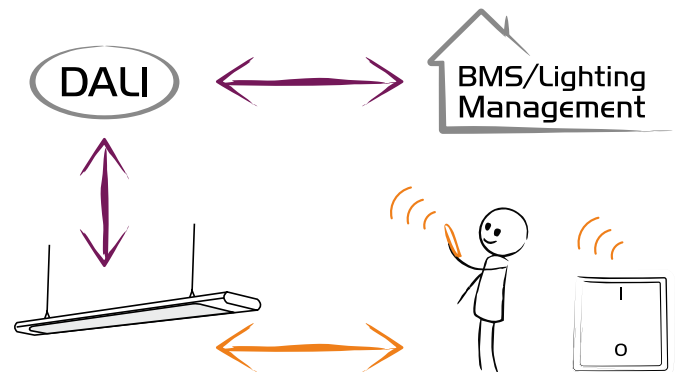
- 1-4 CH LED-dimmer constant voltage
- Control with Casambi, DALI / Push Button
- 4,4A / CH | 17,6A max. output current
- Plus Features: variable Fadetime and Dimmspeed, Soft-Off

Brief description

LED ballast for comfortable and flexible control of LEDs with constant voltage (usually LED strips) through a smartphone or tablet. Selectable operation modes within Casambi profiles (TW; RGB-W; 1CH; 2CH; 4CH). Additionally DALI integrated, depending on the operation mode 1 to 4 channels.

With the integrated key input any Casambi device can be remotely controlled.

Casambi as a DALI extension



Channel-Link

For the different operation modes, the channels must be interconnected differently (Channel-Link). Please see the manual.



1-4 Casambi+DALI LED-Converter 10-48V

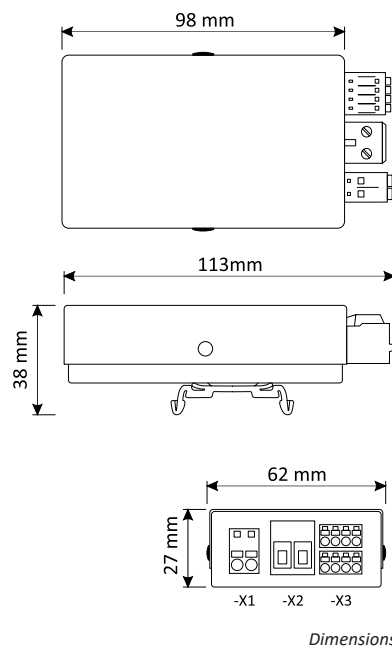


XLED4 CV CASAMBI

Item No.: 10.541

Specification	item number 10.541	XLED4 CV DALI INS	
Operation Voltage	Pulse-proof constant voltage power supply	10...48V DC	
Power loss	Standby / Operation (rated power) Efficiency	< 023W / 2 W 99,5%	
Fuse		max. 16 A	
Outputs	4 output channels	common anode (+)	
Power consumption	Voltage	Current / channel	Current / total
	12V DC	4,4A	17,6A
	24V DC	4,4A	17,6A
	48V DC	2,2A	8,8A
PWM-frequency		130,2 / 488Hz	
Operation- and indication units	SETUP-button, SELECT-button, STATUS-LED (all recessed)		
Connections DALI D1/D2 (-X1)	Push-in spring connection	0,2 ... 2,5 mm ² flexible or solid	
Connections power supply (-X2)	Screw connection Tightening torque max	0,2 ... 4 mm ² flexible or solid max. 0,6Nm	
Connections LED output (-X3)	Push-in spring connection	0,2 ... 1,5 mm ² flexible or solid	
Protocol input: DALI	IEC 62386-101/-102 (DALI-Version 1) Also compliant with IEC 60929 gear	IEC 62386-207, DALI device type 6 (LED Module)	
	Quantity DALI short addresses	4 (1 each channel) 1-4 dynamic, Channel-Link*	
	Current consumption from DALI	< 2mA / 9,5-22,5 V Manchester Code	
Dimming method	0.1%-100% output characteristic according IEC 62386-102, additional DSI or linear selectable		
Alternative control	tastDIM** 230V AC touch over DALI-input	(all channels together)	
Casambi	Bluetooth Low Energy		
Protection circuits	Short circuit shutdown with auto restart, thermal derating at overtemperature, overload shutdown		
Environment	Type of protection according DIN EN 60529	IP20 10mm/5KV	
	Protection class	II	
	Temperature (ambient) ta	-20°...+40° Celsius	
	Temperature (reference) tc Humidity	85° C 5 - 80% not condensing	
Approbation	CE-Mark		
Mounting design	Installation housing	ceiling-, wall- or cavity mounting	
	Optional DIN-Rail mounting		
Dimensions	(height x width x depth) mm	62 x 113 x 27 mm	
Lead-through opening		hole measurements 68 mm Ø	
Venting	clearance of 25mm around is necessary for sufficient air circulation		
Housing	Aluminium housing, Plastic cover black/grey		
Weight		0,200 kg	
Customs	HS-Code/ TARIC-Number	85365005	
Co-applicable documents	Quick guide, home automation users compendium		

Important: Notice all safety instructions and related documents for Installation and operation.
Names, brandmarks, products or companies can be claimed. All rights are on their respective owners.



One mounting design for all installation situations
Installation housing for installation in ceiling, wall or cavity and DIN-Rail mounting in distribution cabinets.



Valid from the following versions: H3d F1.7 - Document number: 10541_TD_en_A4_XLED4CVCasambi_20200730

Carl-Zeiss-Str. 10-14
97424 Schweinfurt / Germany

Tel. +49(0)9721-7766 0
Fax. +49(0)9721-7766 18

www.maintronic.de
info@maintronic.de

Casambi operation modes - profiles:

