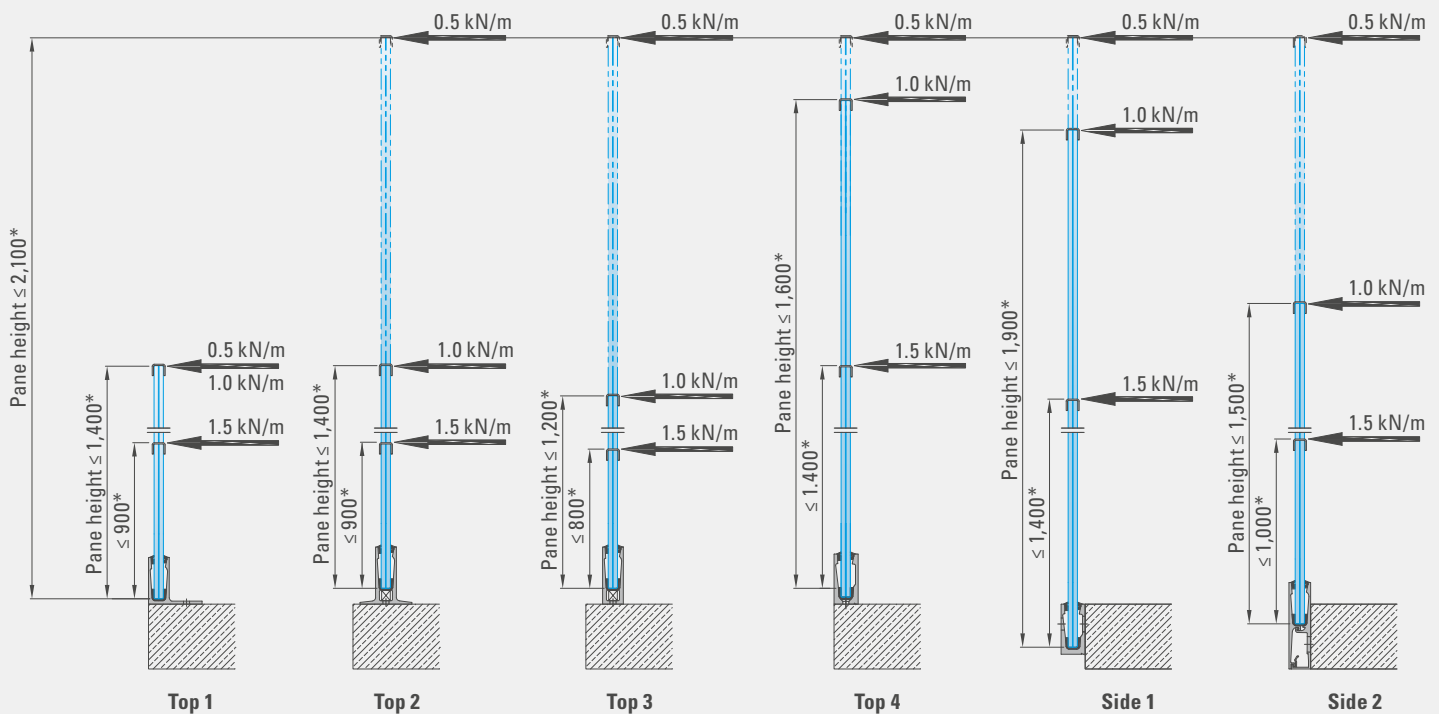


BALARDO *core* (previously BALARDO *alu*)

THE NUMBER 1 FOR PERMANENT INSTALLATION



Glass: LSG 2 x 6 mm, 2 x 8 mm und 2 x 10 mm

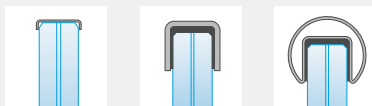
Rail load up to 1.5 kN/m

- 1 Private and public construction projects
- 2 Indoors and outdoors

Installation principle for CLICK*N FIX

- 3 Connection from above / the side
- 4 Flat surface / Stairway

✓ Edge protection



✓ **BALARDO** *firstglass*

Further product information can be found starting on page 20.

* For pane heights see application and dimension tables for support profiles on page 58, and for glass starting on page 64



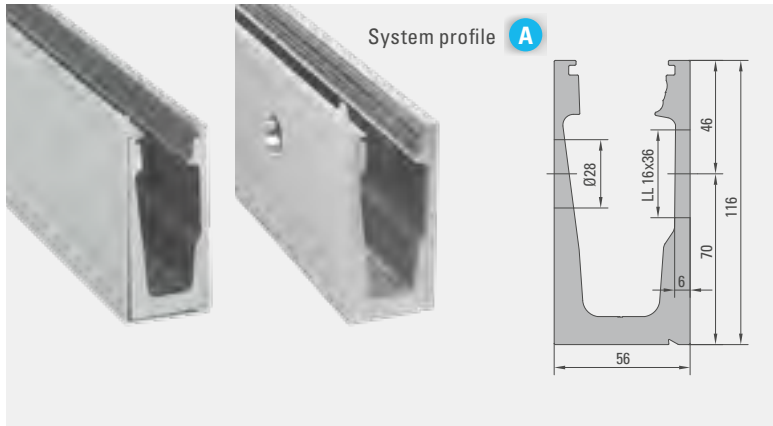
THE ADVANTAGES

- ✓ With General Building Inspectorate Test Certificate (AbP)
- ✓ With approved type statics
- ✓ Rail loads up to 1.5 kN/m
- ✓ Deployment also in sports facilities, tested ball impact safety
- ✓ LGA-tested safety
- ✓ Pane widths up to 6,000 mm, pane heights up to 2,200 mm
- ✓ Glass: LSG 2 x 6 mm, 2 x 8 mm and 2 x 10 mm with PVB or SGP 1,52 mm
- ✓ For private and public construction projects
- ✓ For indoors and outdoors
- ✓ For level areas and stairways
- ✓ BALARDO *firstglass* glass edge protection is applicable

THE CLICK'N FIX MOUNTING SET

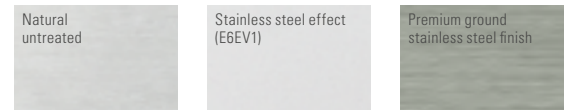


System profile Side 1



Material: Aluminium (EN AW-6063 T66)
 Available length: 3,000 mm
 Glass inset: Approx. 100 mm
 Glass: LSG 2 x 6 mm, 2 x 8 mm, 2 x 10 mm
 PVB / SGP: 1.52 mm

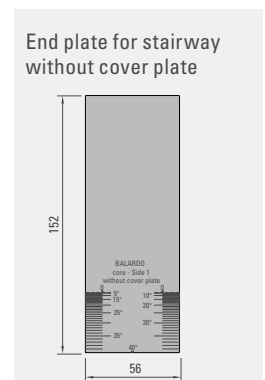
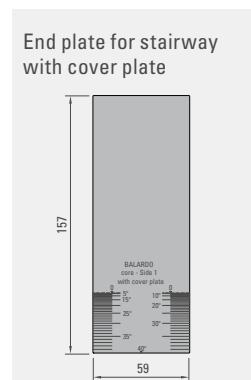
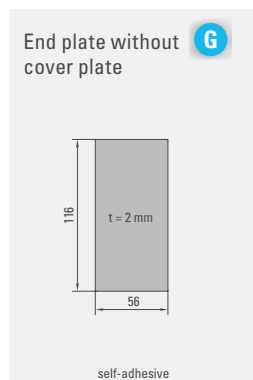
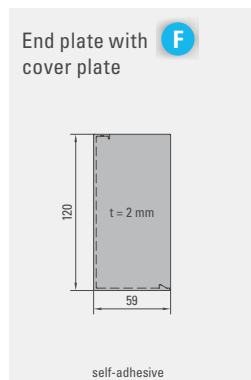
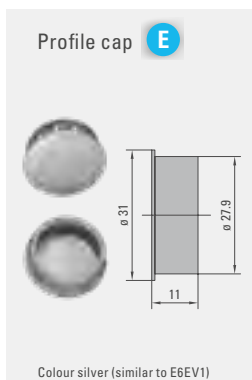
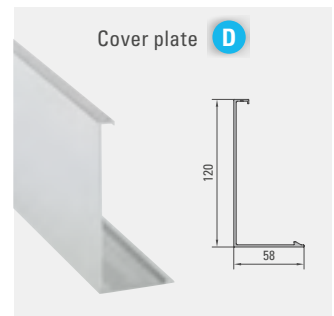
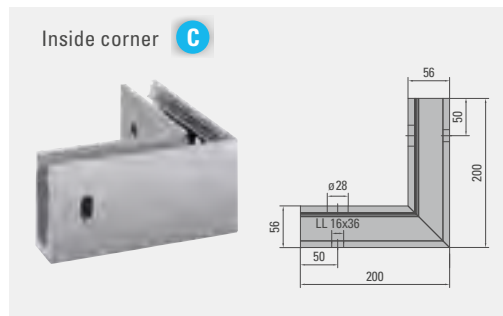
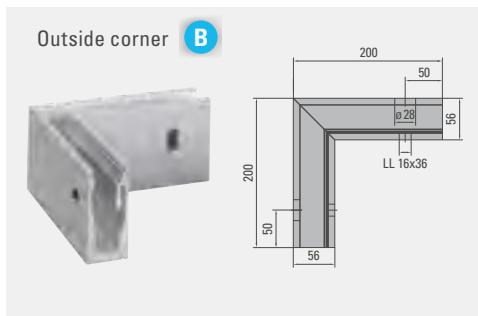
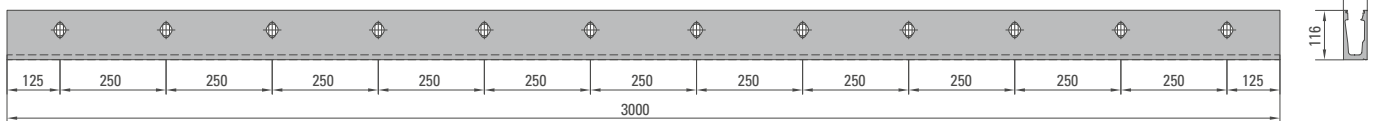
Surfaces:



Fixing distance

Private area 0.5 kN/m a = 500 mm	Public area 1.0 kN/m a = 250 mm
--	---------------------------------------

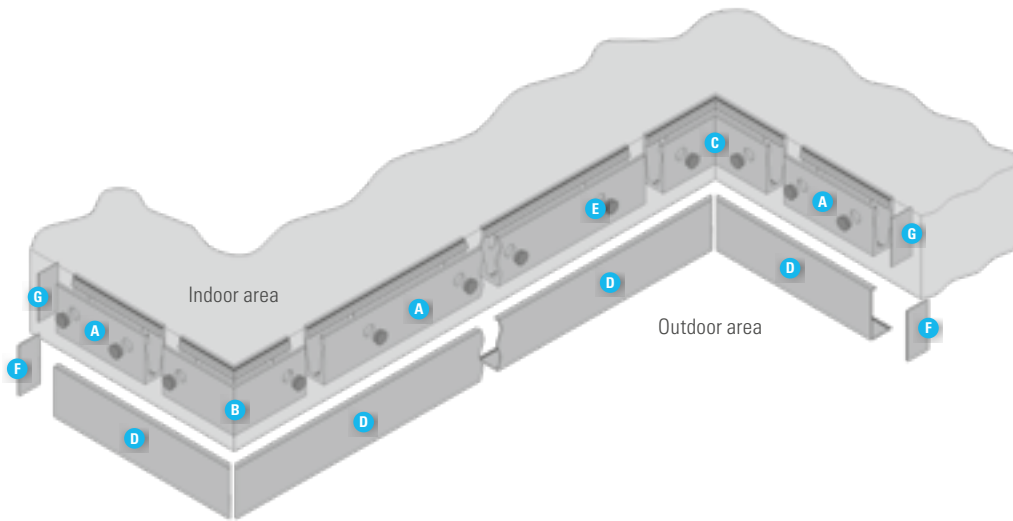
Borehole pattern
 (slot at rear 16 x 36 mm, front \varnothing 28 mm)



All our profiles have a General Building Inspectorate Test Certificate, tested type statics and are LGA-tested.



System profile Side 1



- A** System profile
- B** Outside corner 90°
- C** Inside corner 90°
- D** Cover plate
- E** Profile cap
- F** End plate with cover plate (left/right)
- G** End plate without cover plate (left/right)

System navigation Side 1

