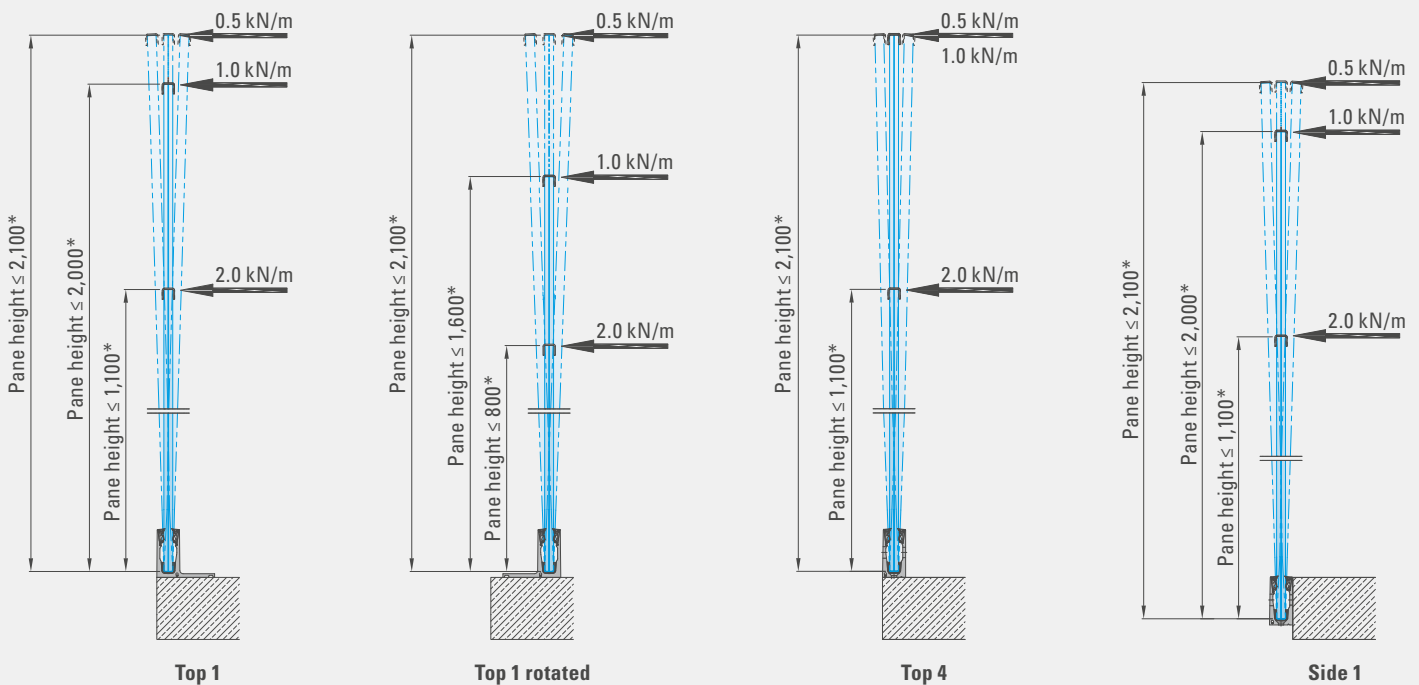


BALARDO *hybrid*

THE INFINITELY ADJUSTABLE STRONG SYSTEM



Glass: LSG 2 x 8 mm und 2 x 10 mm

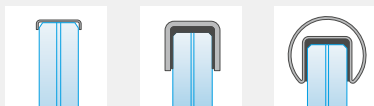
Rail load up to 2.0 kN/m

- 1 Private and public construction projects
- 2 Indoors and outdoors

Installation principle for CLEVERFIX

- 3 Connection from above / the side
- 4 Flat surface / Stairway

✓ Edge protection



- ✓ **BALARDO** *firstglass*
- ✓ **BALARDO** *aqua control*

Further product information can be found starting on page 42.

* For pane heights see application and dimension tables for support profiles on page 58, and for glass starting on page 64



THE ADVANTAGES

- ✓ With General Building Inspectorate Test Certificate (AbP)
- ✓ With approved type statics
- ✓ Rail loads up to 2 kN/m
- ✓ With integrated adjustability by max. 30 mm at a glass height of 1,000 mm
- ✓ LGA-tested safety
- ✓ Pane widths up to 6,000 mm, pane heights up to 2,100 mm
- ✓ Glass: LSG 2 x 8 mm and 2 x 10 mm with PVB or SGP 1,52 mm
- ✓ For private and public construction projects
- ✓ For indoors and outdoors
- ✓ For level areas and stairways
- ✓ BALARDO *firstglass* glass edge protection is applicable

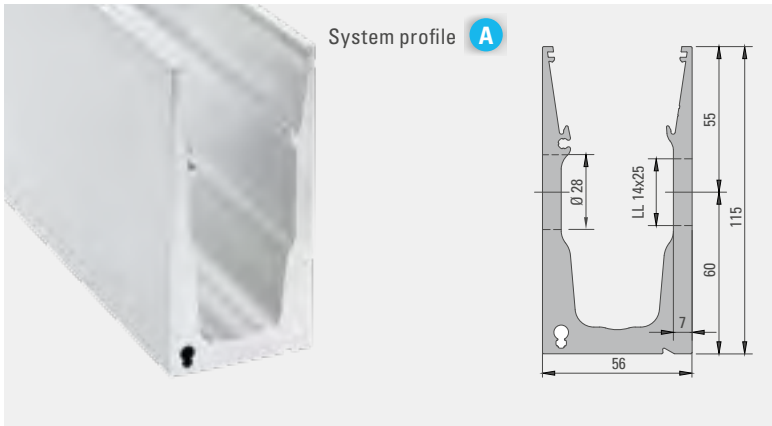


THE CLEVERFIX MOUNTING SET



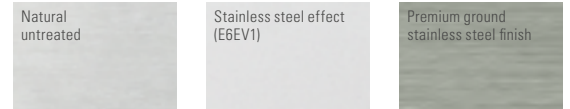
| | | | |
|------------------------|---------------------------|----------------------------|--------------------------------------|
| 1 Clamping shoe | Material: EPDM | Available length: 3.000 mm | |
| 2 Glass | see starting on page 60 | | |
| 3 Positioning elements | Material: POM + Aluminium | Available length: 1.000 mm | Screws: M 6 x 14 mm, spacing: 200 mm |
| 4 Inner and outer seal | Material: EPDM | Available length: 3.000 mm | |

System profile Side 1



Material: Aluminium (EN AW-6063 T66)
 Available length: 3,000 mm
 Glass inset: Approx. 100 mm
 Glass: LSG 2 x 8 mm, 2 x 10 mm
 PVB / SGP: 1.52 mm

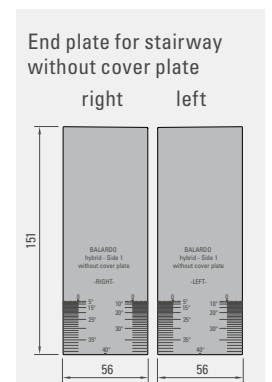
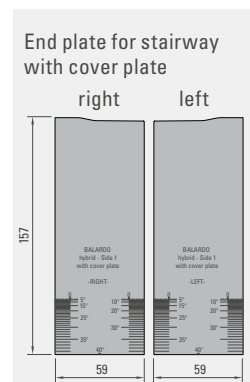
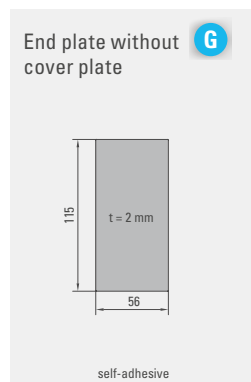
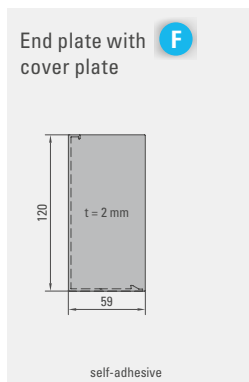
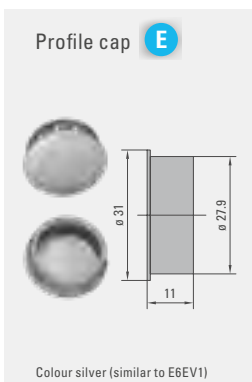
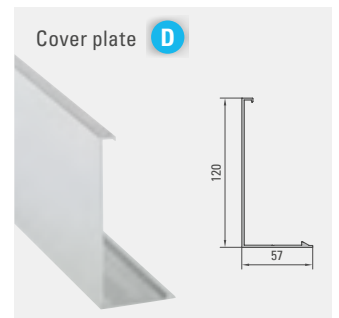
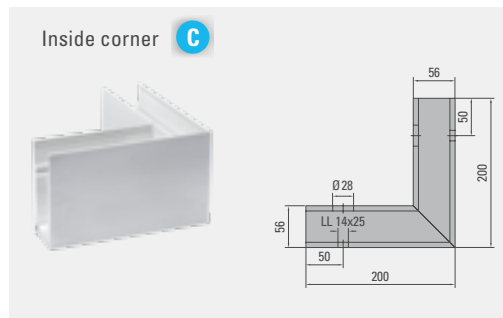
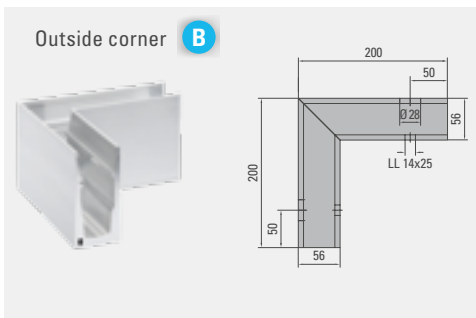
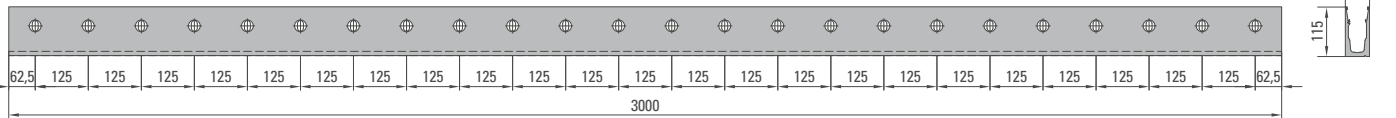
Surfaces:



Fixing distance

| Private area 0.5 kN/m | Public area 1.0 kN/m | Public area 2.0 kN/m |
|--------------------------|-------------------------|-------------------------|
| a = 500 mm | a = 250 mm | a = 125 mm |

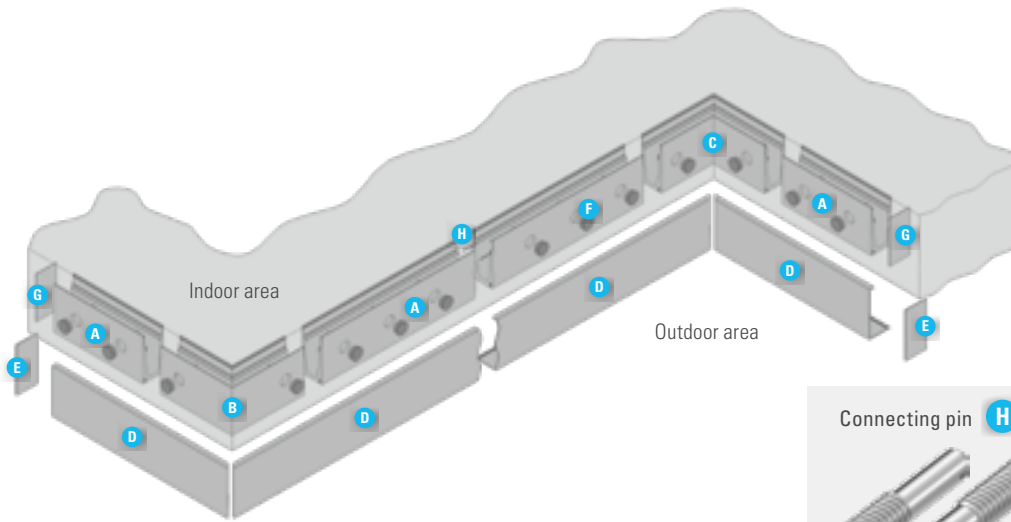
Borehole pattern
 (slot at rear 14 x 25 mm, front Ø 28 mm)



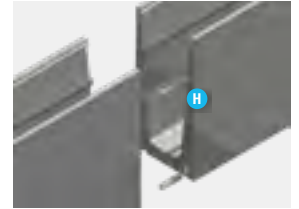
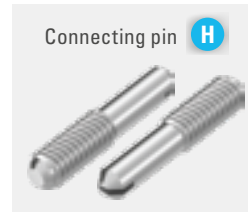
All our profiles have a General Building Inspectorate Test Certificate, tested type statics and are LGA-tested.



System profile Side 1



- A** System profile
- B** Outside corner 90°
- C** Inside corner 90°
- D** Cover plate
- E** End plate with cover plate (left/right)
- F** Profile cap
- G** End plate without cover plate (left/right)
- H** Connecting pin



System navigation Side 1

