

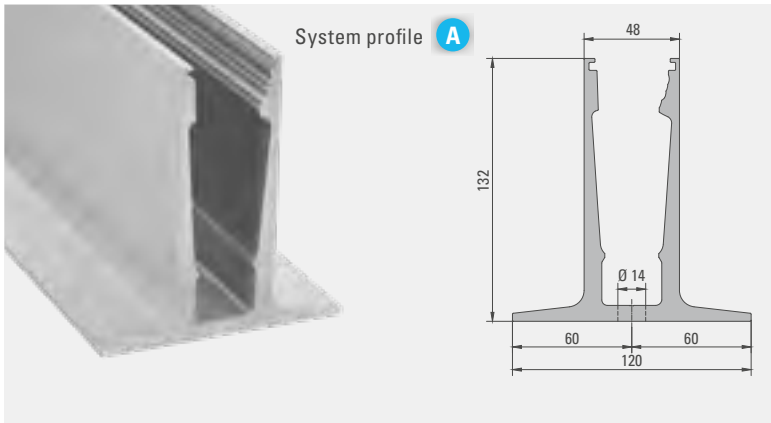
# THE ADVANTAGES

- ✓ With General Building Inspectorate Test Certificate (AbP)
- ✓ With approved type statics
- ✓ Rail loads up to 1.5 kN/m
- ✓ Deployment also in sports facilities, tested ball impact safety
- ✓ LGA-tested safety
- ✓ Pane widths up to 6,000 mm, pane heights up to 2,200 mm
- ✓ Glass: LSG 2 x 6 mm, 2 x 8 mm and 2 x 10 mm with PVB or SGP 1,52 mm
- ✓ For private and public construction projects
- ✓ For indoors and outdoors
- ✓ For level areas and stairways
- ✓ BALARDO *firstglass* glass edge protection is applicable

## THE CLICK'N FIX MOUNTING SET

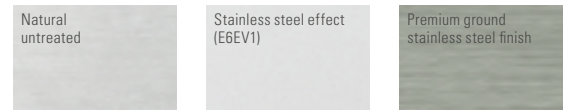


### System profile Top 2



Material: Aluminium (EN AW-6063 T66)  
 Available length: 3,000 mm  
 Glass inset: Approx. 95 mm  
 Glass: LSG 2 x 6 mm, 2 x 8 mm, 2 x 10 mm  
 PVB / SGP: 1.52 mm

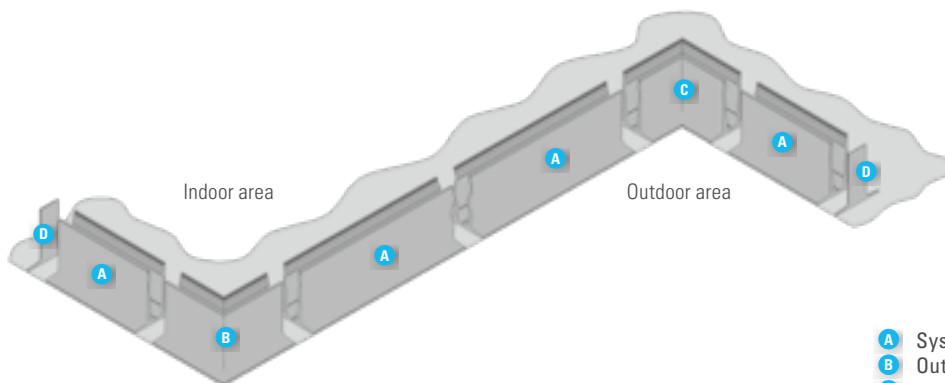
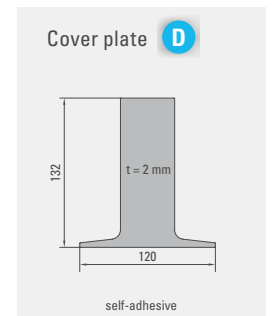
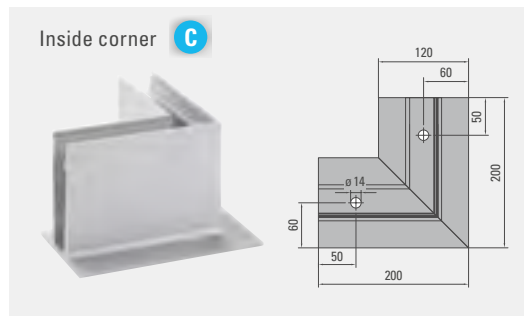
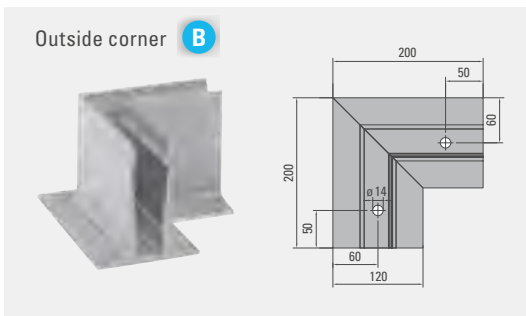
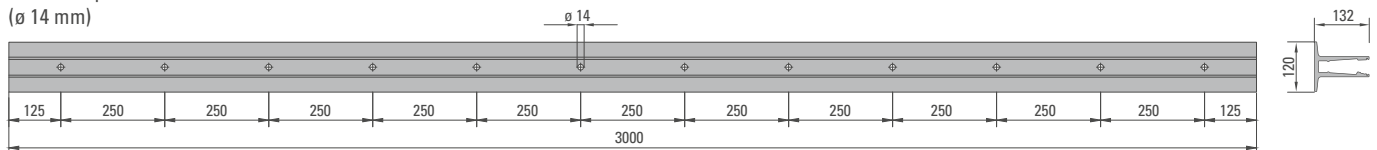
**Surfaces:**



**Fixing distance**

Private area 0.5 kN/m a = 500 mm	Public area 1.0 kN/m a = 250 mm
--	---------------------------------------

**Borehole pattern**  
( $\varnothing$  14 mm)



- A** System profile
- B** Outside corner 90°
- C** Inside corner 90°
- D** Cover plate (left/right)

All our profiles have a General Building Inspectorate Test Certificate, tested type statics and are LGA-tested.

