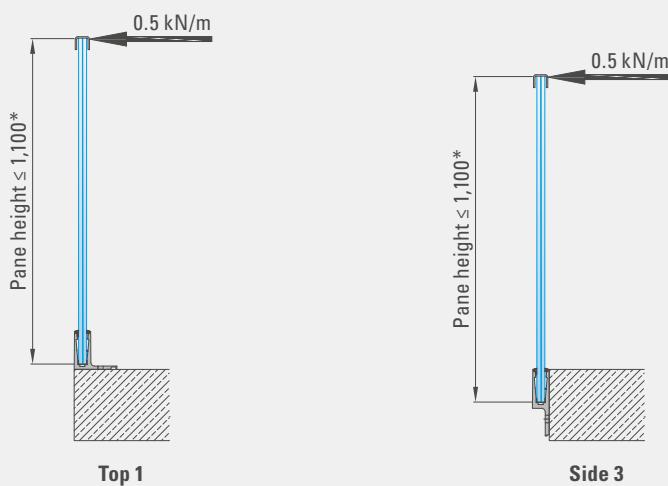


## BALARDO *smart*

THE MINIMALIST SYSTEM FOR THE PRIVATE SECTOR



Glass: LSG 2 x 6 mm und 2 x 8 mm

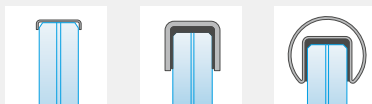
Rail load up to 0.5 kN/m

- 1 Private construction projects
- 2 Indoors

Installation principle for EASYFIX

- 3 Connection from above / the side
- 4 Flat surface / Stairway

✓ Edge protection



✓ **BALARDO** *firstglass*

Further product information can be found starting on page 50.

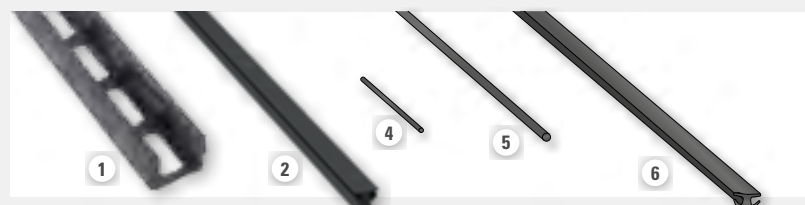
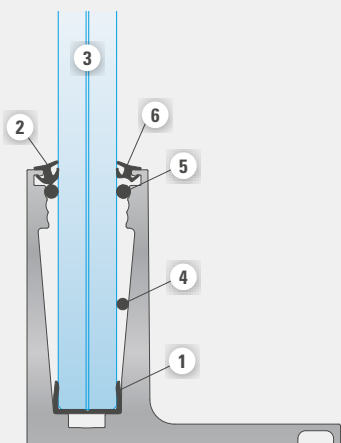
\* For pane heights see application and dimension tables for glass starting on page 64



## THE ADVANTAGES

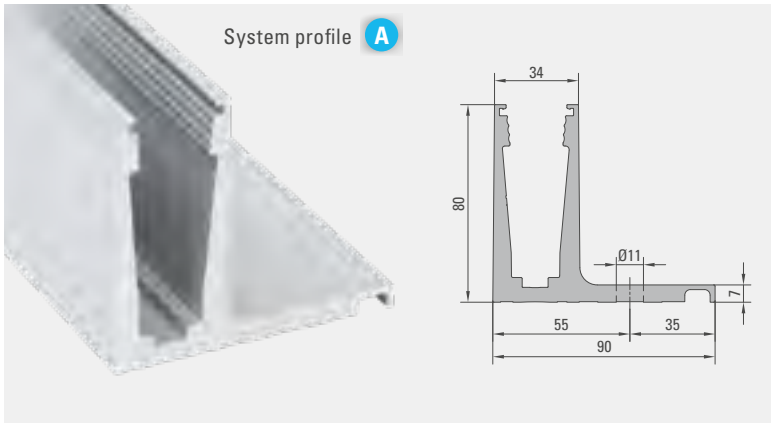
- ✓ With General Building Inspectorate Test Certificate (AbP)
- ✓ With approved type statics
- ✓ Rail loads up to 0.5 kN/m
- ✓ With limited adjustability
- ✓ LGA-tested safety
- ✓ Pane widths up to 6,000 mm, pane heights up to 1,100 mm
- ✓ Glass: LSG 2 x 6 mm and 2 x 8 mm with PVB or SGP 0,76 mm
- ✓ For private construction projects
- ✓ For indoor use
- ✓ For level areas and stairways
- ✓ BALARDO *firstglass* glass edge protection is applicable

## THE EASYFIX MOUNTING SET



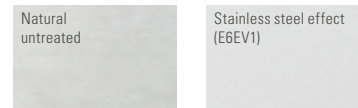
1	Clamping shoe	Material: TPV	Available length: 100 mm
2	Outer seal	Material: EPDM	Available length: 3,000 mm
3	Glass	see starting on page 60	
4	Small round rod	Material: POM	Available length: 100 mm
5	Round cord	Material: EPDM	Available length: 3,000 mm
6	Inner seal	Material: EPDM	Available length: 3,000 mm

### System profile Top 1



Material: Aluminium (EN AW-6063 T66)  
 Available length: 3,000 mm  
 Glass inset: Approx. 69 mm  
 Glass: LSG 2 x 6 mm, 2 x 8 mm  
 PVB / SGP: 0.76 mm

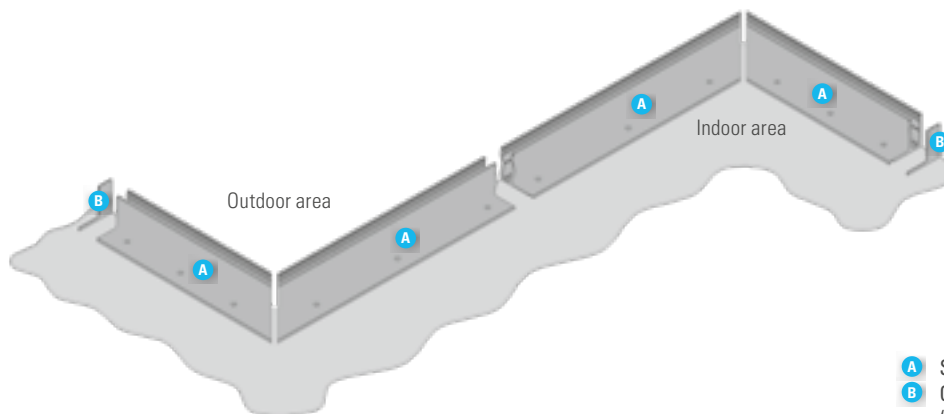
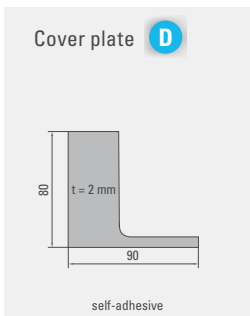
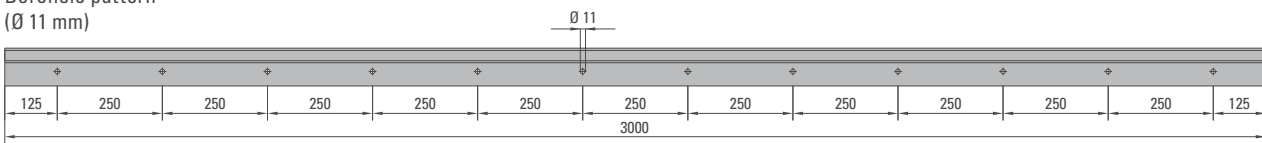
**Surfaces:**



**Fixing distance**

Private area
0.5 kN/m
a = 500 mm

**Borehole pattern**  
(Ø 11 mm)



**A** System profile  
**B** Cover plate (left/right)

All our profiles have a General Building Inspectorate Test Certificate, tested type statics and are LGA-tested.

