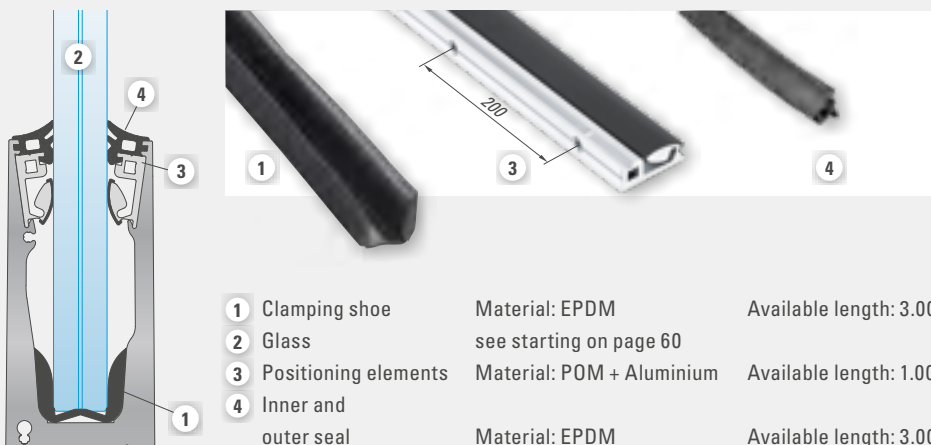


## THE ADVANTAGES

- ✓ With General Building Inspectorate Test Certificate (AbP)
- ✓ With approved type statics
- ✓ Rail loads up to 2 kN/m
- ✓ With integrated adjustability by max. 30 mm at a glass height of 1,000 mm
- ✓ LGA-tested safety
- ✓ Pane widths up to 6,000 mm, pane heights up to 2,100 mm
- ✓ Glass: LSG 2 x 8 mm and 2 x 10 mm with PVB or SGP 1,52 mm
- ✓ For private and public construction projects
- ✓ For indoors and outdoors
- ✓ For level areas and stairways
- ✓ BALARDO *firstglass* glass edge protection is applicable

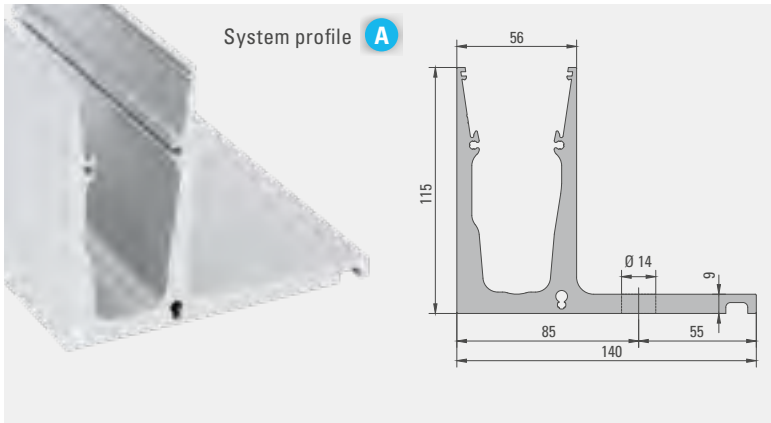


## THE CLEVERFIX MOUNTING SET



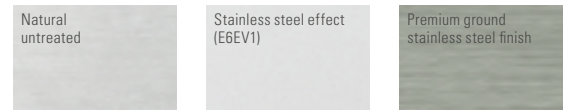
1	Clamping shoe	Material: EPDM	Available length: 3.000 mm	
2	Glass	see starting on page 60		
3	Positioning elements	Material: POM + Aluminium	Available length: 1.000 mm	Screws: M 6 x 14 mm, spacing: 200 mm
4	Inner and outer seal	Material: EPDM	Available length: 3.000 mm	

### System profile Top 1



Material: Aluminium (EN AW-6063 T66)  
 Available length: 3,000 mm  
 Glass inset: Approx. 100 mm  
 Glass: LSG 2 x 8 mm, 2 x 10 mm  
 PVB / SGP: 1.52 mm

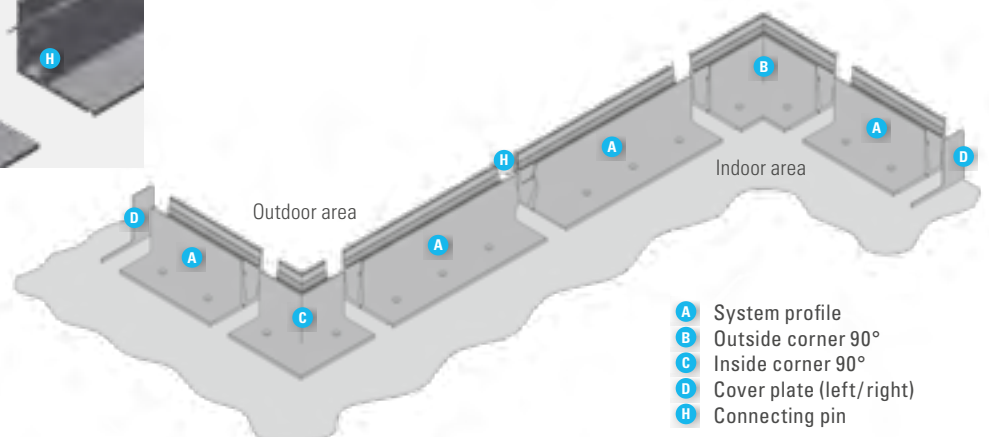
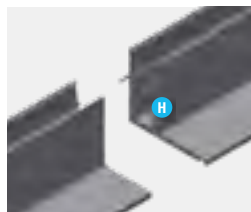
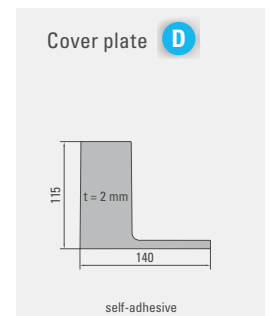
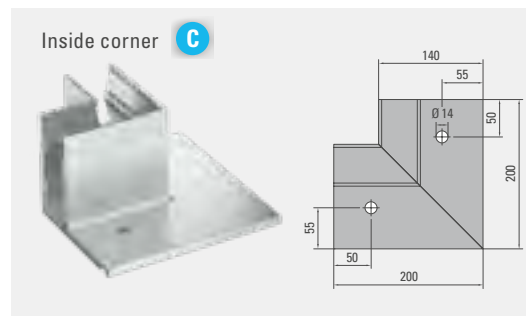
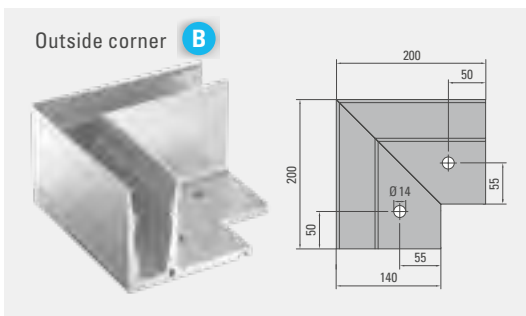
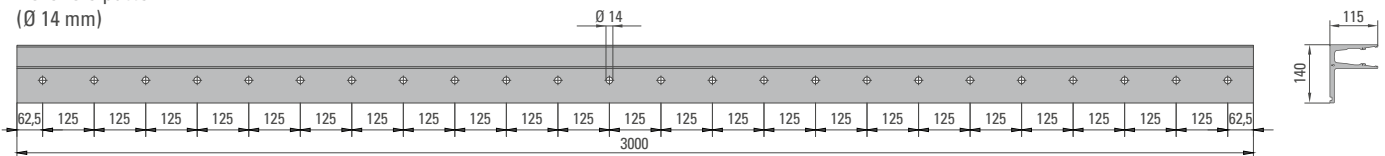
**Surfaces:**



**Fixing distance**

Private area 0.5 kN/m	Public area 1.0 kN/m	Public area 2.0 kN/m
a = 500 mm	a = 250 mm	a = 125 mm

**Borehole pattern  
(Ø 14 mm)**



- A** System profile
- B** Outside corner 90°
- C** Inside corner 90°
- D** Cover plate (left/right)
- H** Connecting pin

All our profiles have a General Building Inspectorate Test Certificate, tested type statics and are LGA-tested.

