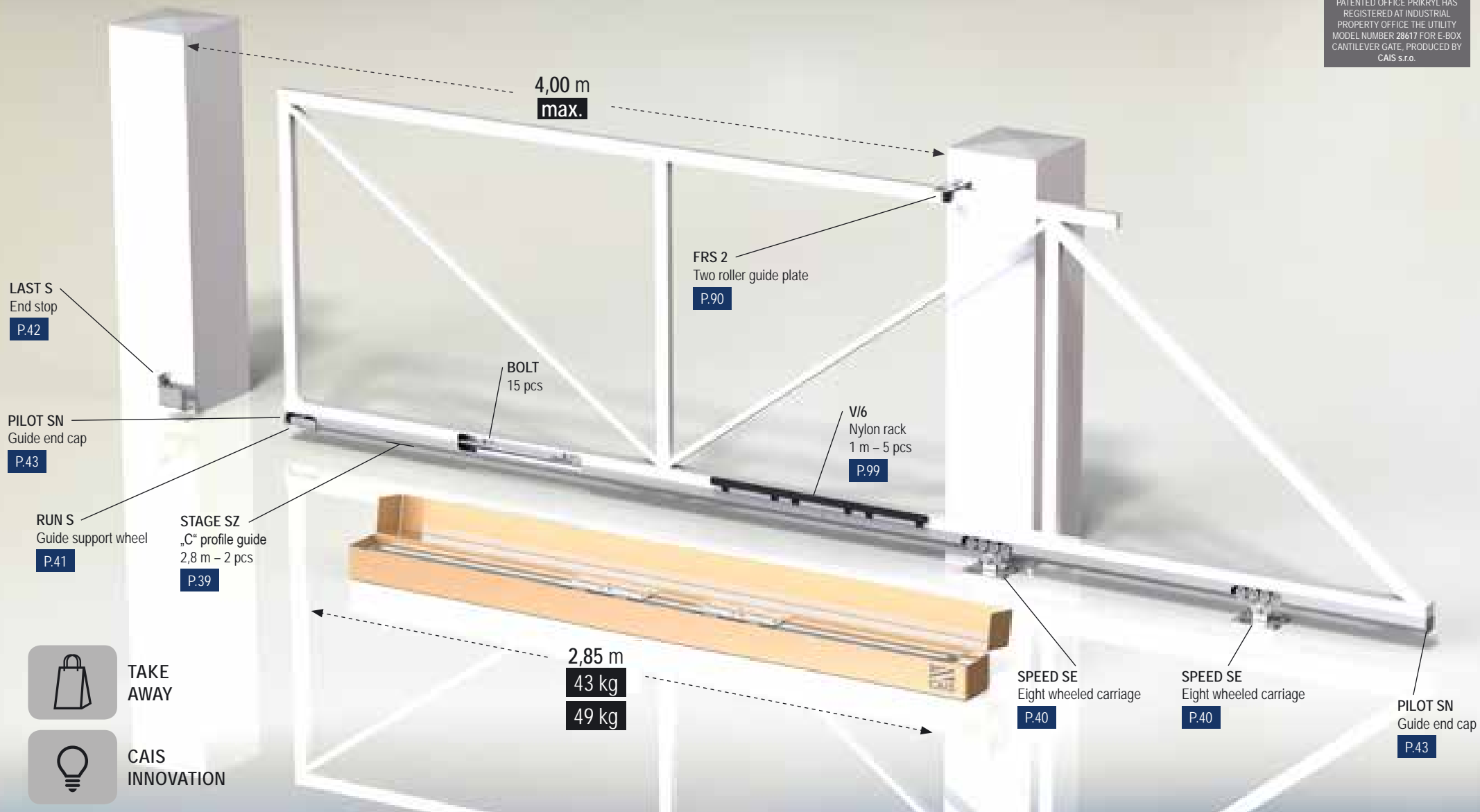


PATENT OFFICE
PATENTED OFFICE PRIKRYL HAS
REGISTERED AT INDUSTRIAL
PROPERTY OFFICE THE UTILITY
MODEL NUMBER 28617 FOR E-BOX
CANTILEVER GATE. PRODUCED BY
CAIS s.r.o.



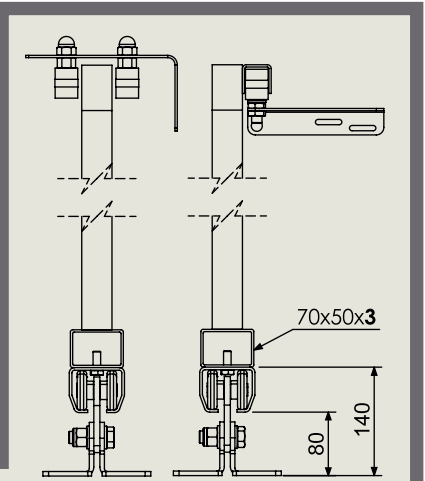
PATENT OFFICE 

ALL IN ONE SET 4.0

CANTILEVER HARDWARE

E-BOX SE 02	E-BOX SE 03
SPEED SE 2 pcs	SPEED SE 2 pcs
STAGE SZ 2,8 m 2 pcs	STAGE SZ 2,8 m 2 pcs
RUN S 1 pc	RUN S 1 pc
LAST S 1 pc	LAST S 1 pc
PILOT SN 2 pcs	PILOT SN 2 pcs
FRS 2 1 pc	FRS 2 1 pc
BOLT M10x25 15 pcs	BOLT M10x25 15 pcs
RIVET NUT 15 pcs	RIVET NUT 15 pcs
	V/6 5 pcs
Total weight = 43 kg	Total weight = 49 kg
CODE: 1710053	CODE: 1710054

E-BOX SE	mm; kg	mm; kg	mm; kg	mm; kg	mm; kg	mm; kg
A	3000	3200	3400	3600	3800	4000
max. weight gate	325 kg	325 kg	325 kg	325 kg	325 kg	325 kg
B	900	960	1020	1080	1140	1200
C	1300	1360	1420	1480	1540	1600
D	270	270	270	270	270	270
F	130	130	130	130	130	130



- NO WELDING NEEDED
- EASY ASSEMBLING
- FAST NO WELDING
- 15 BOLTS
15 RIVET NUTS INCLUDED
- «C» TRACK SERIAL NO.
100% COMPATIBILITY
CARRIAGE TESTED
- GERMAN STEEL
WUPPERMANN
- 270
g/m² HOT DIPPED
GALVANIZED
- ARROW STRAIGHT
«C» TRACK
- BUILT IN FLYING HOLE
PUNCH - EVERY 400 mm
- GALVANIZED
INTERNAL EDGES
- TAKE AWAY
- C 2
HQ BEARINGS
- CARRIAGES CENTER
HOLES MILLED
NOT LASERED
- MULTI RIVETED
SECTIONS
- COMPACT PACKAGING
2850 x 170 x 140 mm
42 kg - 49 kg
- JPN
JAPANESE ROBOTICS
FANUC
- R&D
UNIVERSITY OF
TECHNOLOGY - BRNO
- 37°C
TESTED & PROVEN
- + 50°C
TESTED & PROVEN
- CZ
MADE IN
CZECH REPUBLIC

