

Instruction Manual

Premier Elite XT-W/QD-W



Texecom
Designed to Perform

INS 466-3

INTRODUCTION

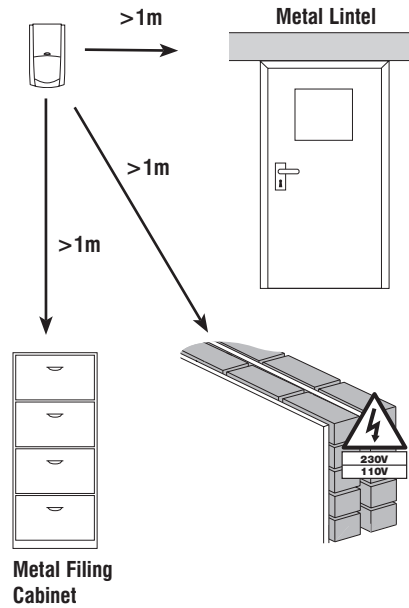
- For wireless connectivity, detailed programming and system set-up instructions please refer to the compatible RICOCHET™ technology enabled Premier wireless expander instructions.
- Featuring RICOCHET™ wireless technology the Premier Elite XT-W and Premier Elite QD-W are designed for professional security installations.

STANDARDS

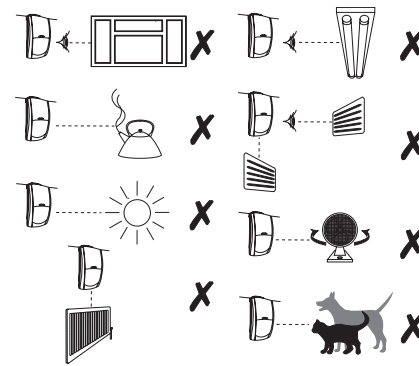
Alarm Systems:	EN50131-2-2, EN50131-5-3, EN50131-1, PD6662, Grade 2 Class II
EMC:	EN50130-4:1995 A1: A2 ETSI EN301 489-03 V1.4.1
R&TTE:	ETSI EN300-220 (V2.1.1)
Environmental:	EN50130-5
Frequency Band:	868.0 - 868.6 MHz / 433.05 - 434.79 MHz • Please refer to product label
Receiver:	Category 1, Class 2
Receiver LBT (Listen Before Talk)	Yes
Transmitter Duty Cycle	868Mhz<1%, 433Mhz<10%
Low Voltage Signal	2.85V
Operating Voltage	3V
Maximum current	32mA
Quiescent current	60uA

CHOOSING A LOCATION

Do not install close to large metal objects or mains wiring

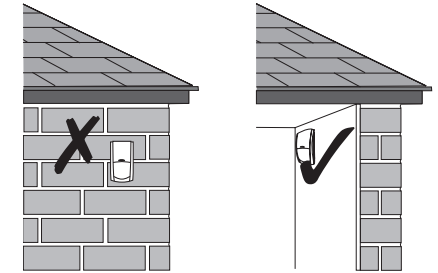


Avoid common false alarm sources

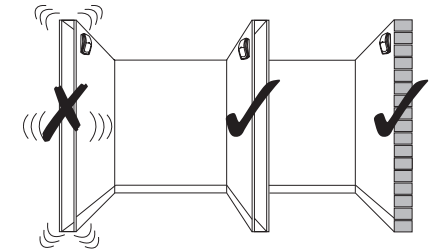


MOUNTING

For indoor use only



Mount on a stable surface



BATTERY SAFETY

- Do not throw into a fire
- Do not short circuit
- Replace only with same or equivalent type(3V)
- Always observe local regulations when disposing of a battery
- Detector will transmit low battery warning when battery needs replacing
- Do not heat
- Do not charge
- Do not disassemble

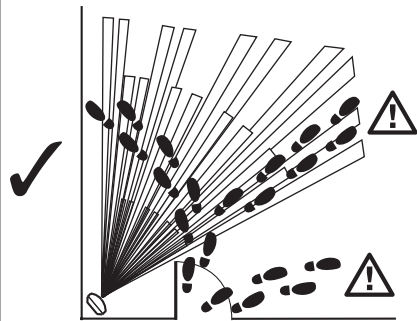
WARRANTY

2 year replacement warranty (excludes battery).

The Premier Elite XT-W/QD-W is designed to detect the movement of an intruder and activate an alarm control panel. As the Premier Elite XT-W/QD-W is not a complete alarm system, but only a part thereof, Texecom cannot accept responsibility or liability for any damages whatsoever based on a claim that the Premier Elite XT-W/QD-W failed to function correctly.

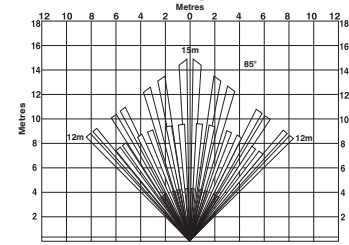
Due to our policy of continuous improvement Texecom reserves the right to change specification without prior notice. All specifications are measured at 20°C (68°F).

COVERAGE & PICK-UP

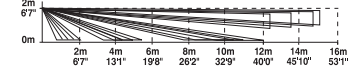


COVERAGE PATTERNS

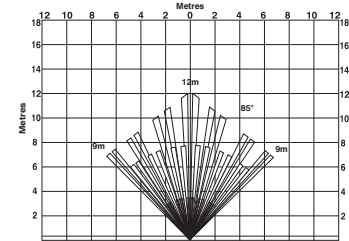
Premier Elite QD-W Top View



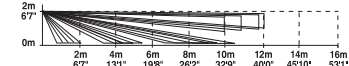
Side View



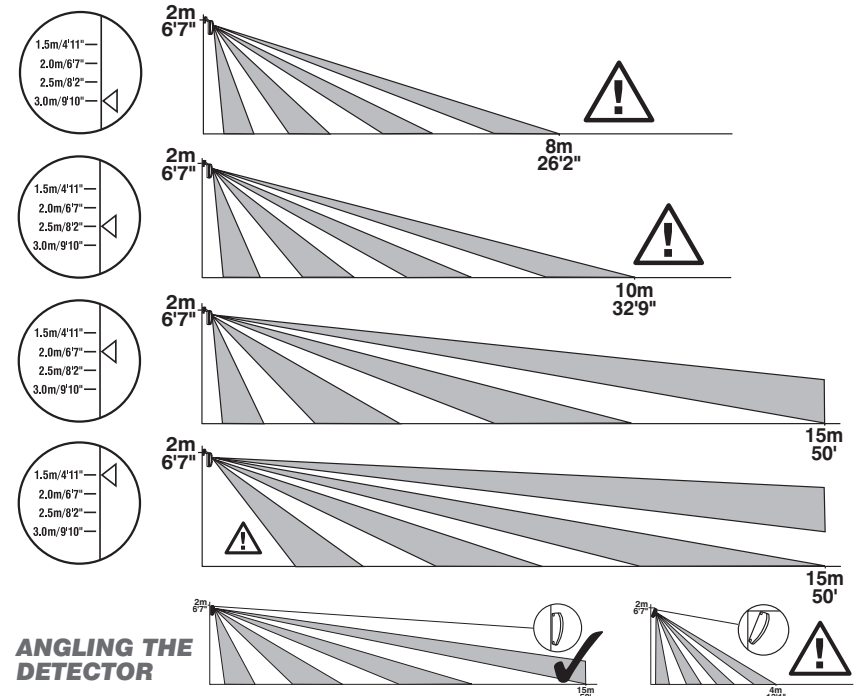
Premier Elite XT-W Top View



Side View



ALTERING COVERAGE AT 2m MOUNTING HEIGHT



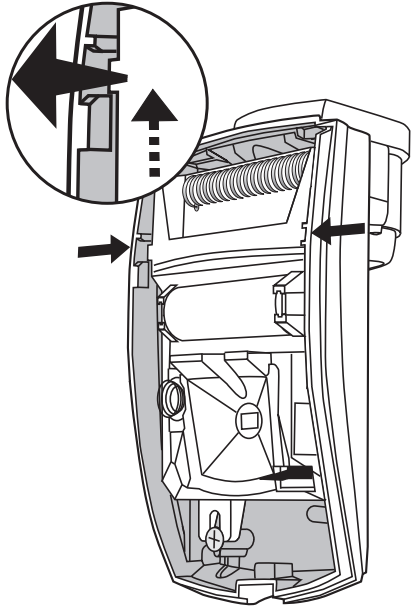
ANGLING THE DETECTOR



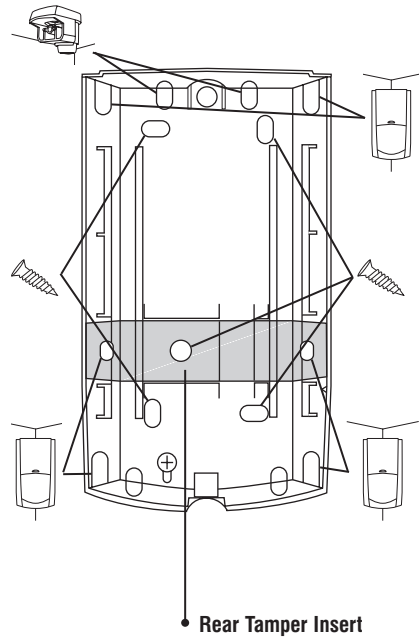
Premier Elite and the wireless logo are trade marks of Texecom Ltd. © 2010
The Premier Elite XT-W/QD-W is protected by European Registered Design. No. 3004997
D20110109 INS466-3

HOW TO REMOVE THE CHASSIS

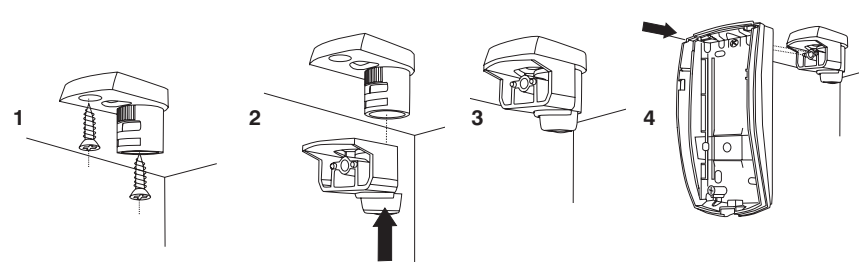
Remove chassis before mounting the detector



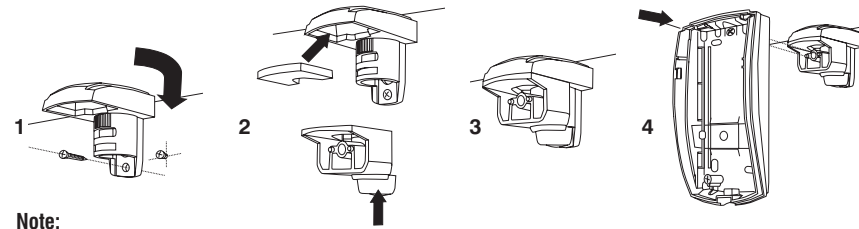
DETECTOR KNOCKOUTS



CEILING MOUNT BRACKET*

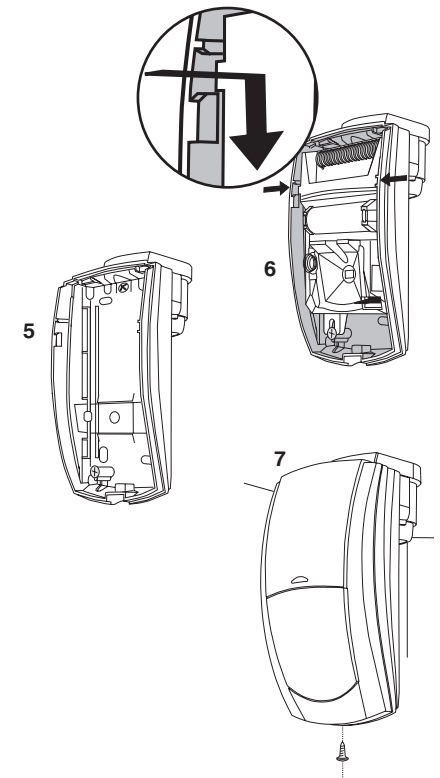


WALL MOUNT BRACKET*

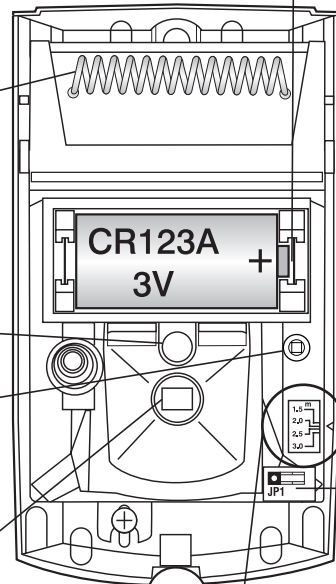


Note:
For EN 50131 compliance both the detector and the rear tamper insert must be fixed to the wall, mounting brackets should not be used.

*Available Separately



Battery Tag
Remove on installation.



LED
Indication only available in walktest mode.
(See Premier wireless expander instructions)

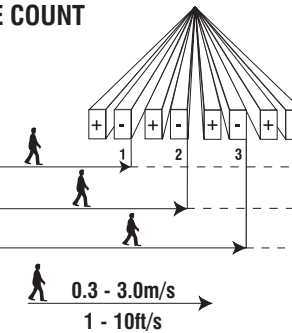
Learn Switch
Hold down during battery connection to learn device.



Mounting Height Settings



XT PULSE COUNT



QD PULSE COUNT

