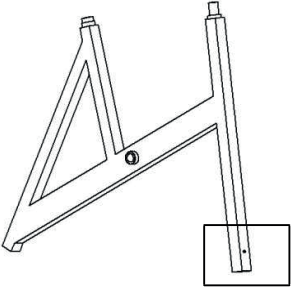




V2

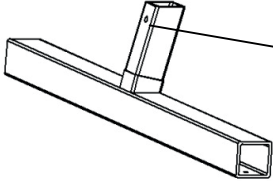
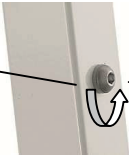
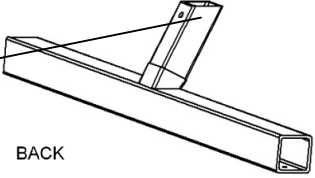

Assembly Instructions



PARTS

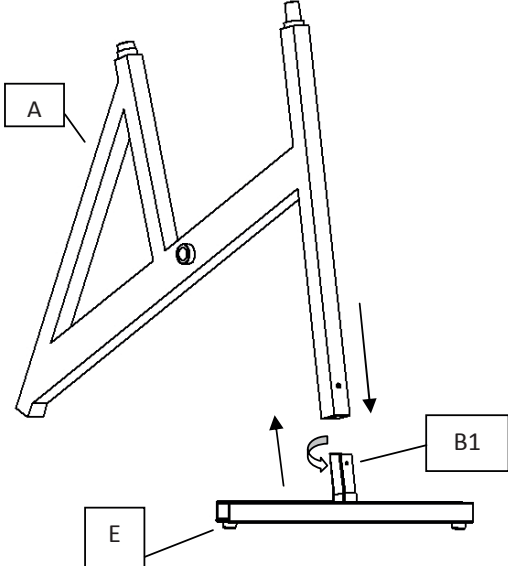
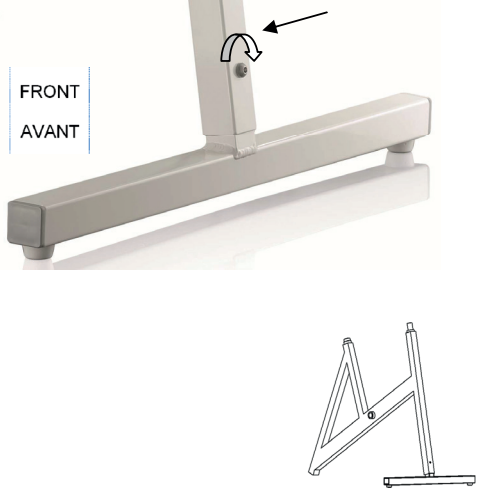
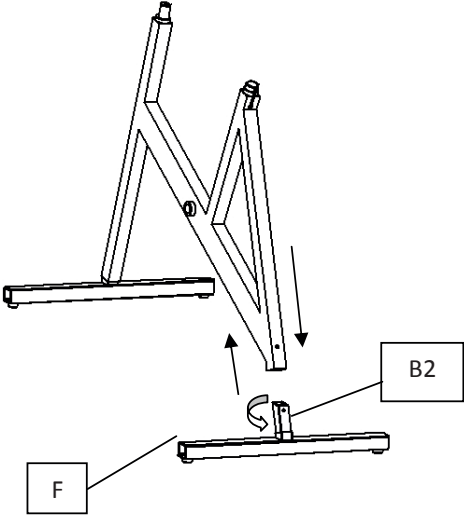
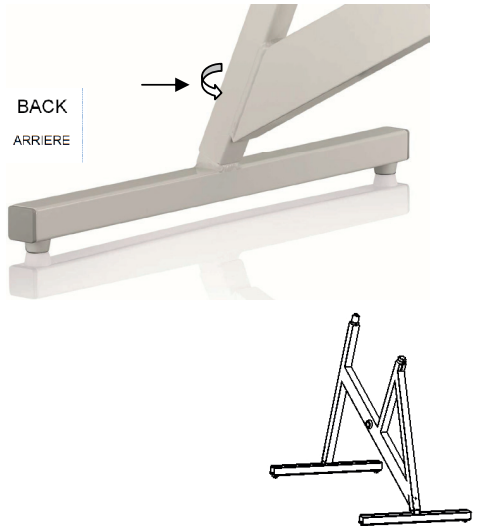
Frame A	Handlebar C	Saddle D
		
x1	x1	x1

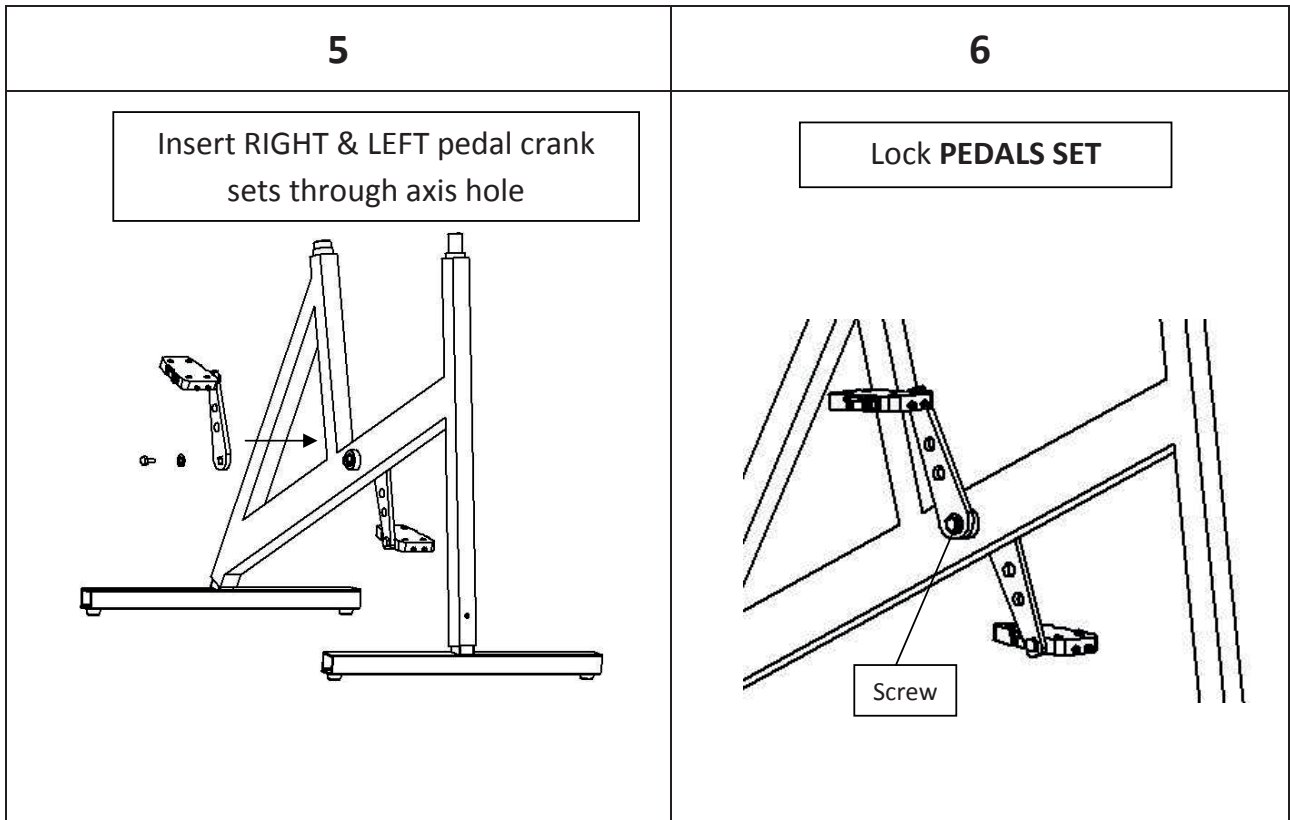
Small package contents :

Front foot E	Screw and Washer B1 & B2	Rear foot F
 <p>FRONT AVANT</p>		 <p>BACK ARRIERE</p>
x1	x2 Screwed on each feet	x1
<p>Pair of PEDAL & CRANK <i>Pedals already fixed on cranks</i> 2 PAIRS</p>		<p>ALLEN KEYS</p> 



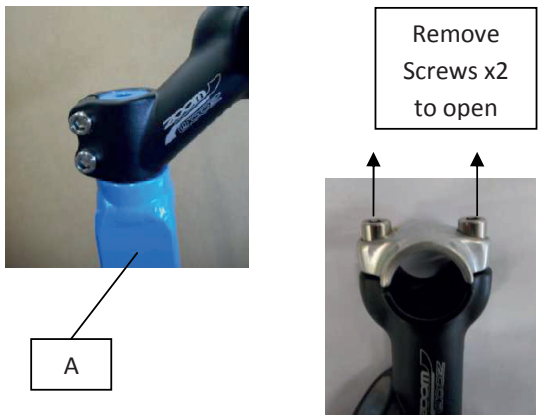
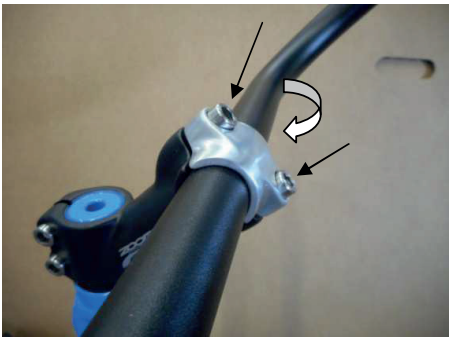
Feet Assembly, E & F on Frame A

1	2
<p data-bbox="225 437 727 502">Unscrew B1 and insert E</p> 	<p data-bbox="863 461 1369 527">Screw B1</p> 
3	4
<p data-bbox="225 1214 727 1279">Unscrew B2 and Insert F</p> 	<p data-bbox="863 1193 1369 1259">Screw B2</p> 


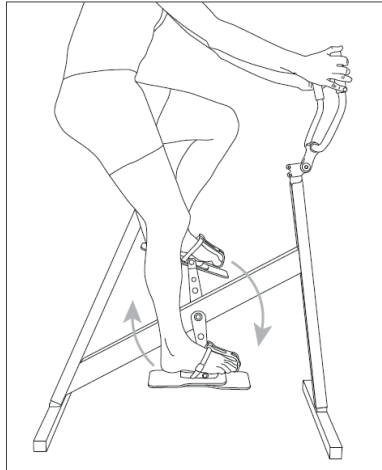


FINALIZED ASSEMBLY :

Handlebar assembly, C on the frame A

7	8
<p data-bbox="207 490 762 592">Remove screws from the gallows fixed on the frame A</p>  <p data-bbox="571 623 737 739">Remove Screws x2 to open</p>	<p data-bbox="909 480 1385 633">Place handlebar C between the 2 parts of the gallows & replace screws</p> 

Adjust the saddle D

9	10
	

MAINTENANCE ADVICES

*We thank you for purchasing one of our **AquaNess** devices.
We wish you lots of pleasure by using it.*



aquabiking or aquajogging.

*Hereby you will find some advices to use and keep your **AquaNess** in the best conditions.*

IMPORTANT => before using the AquaNess , control the PH of the water ! <=

*The **pH**, or potential hydrogen, means the concentration in water of ions of hydrogen. The percentage of pH exists between 0 and 14 ; the water of the pool have to be neutral or slightly basic.*

The water of your pool should have the best rate valid of pH 7,4

ATTENTION => The guarantee can't apply if the unbalanced pH is the reason of possible changes on the painting on the aluminum frame or on stainless steel bolting <=

- After using your **AquaNess** in the pool, please **rinse** it with fresh water, and **wipe** it (*don't forget underside of the saddle*)
- Do not use water treatment such as chemical treatment, when the bike is in the water or nearby.
- Pay attention to avoid any shock; don't let the device falling down.
- Shock impacts on the painting are not covered by the guarantee.
- When you do not use your bike or aqua treadmill, please store your **AquaNess** in a dry or well ventilated room.

Any breach on these maintenance tips will cancel the warranty.

2 years warranty on any kind of manufacturing trouble(Frame, handlebar, crank set ...)
6 months warranty on any wear parts (saddle, handlebar, belts...)

Please read carefully :

- The bike must be only used in a completely stable swimming pool
- The water lever never has to exceed the height of shoulders
- It is forbidden to modify the device and to use it for another purpose than pedaling in the water-
- The children minors have to use the device only under the supervision and the responsibility of their parents.