



Basic

The most affordable.

- \varnothing 40 mm stainless steel base stand with 2 wheels on one side.
- \varnothing 75 telescopic aluminium roller shaft. Tubes bolted together.
- A special groove incorporated into the tube, allows the bubble cover fastening kit to be installed easily and reliably.
- \varnothing 320 mm handling wheel with brake (slowing and locking knob).

Composition:

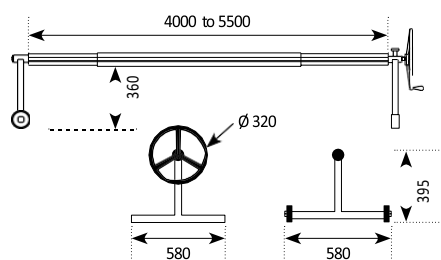
- 1 roller.
- 11 x 1.2 linear metres cabidic bungee cords.

Packaging:

2 packages	Dimensions in mm	Weight in kg
Stand	480 x 600 x 110	7
Roller shaft	160 x 80 x 2160	6

Optional:

- PVC cover protector with velcro.



Excellent value for money.

- Low height, passivated stainless steel 35 mm square base stand with two wheels on one side and a synthetic resin bearing block.
- Telescopic $\varnothing 80$ mm thick reinforced roller shaft for the 20 μ anodised aluminium central tube.
- A special groove incorporated into the tube, allows the bubble cover fastening kit to be installed easily and reliably.
- Dual material $\varnothing 335$ mm handling wheel with rotating handle and locking system.

Composition:

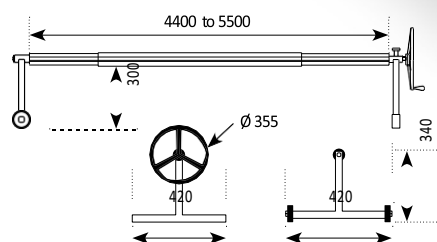
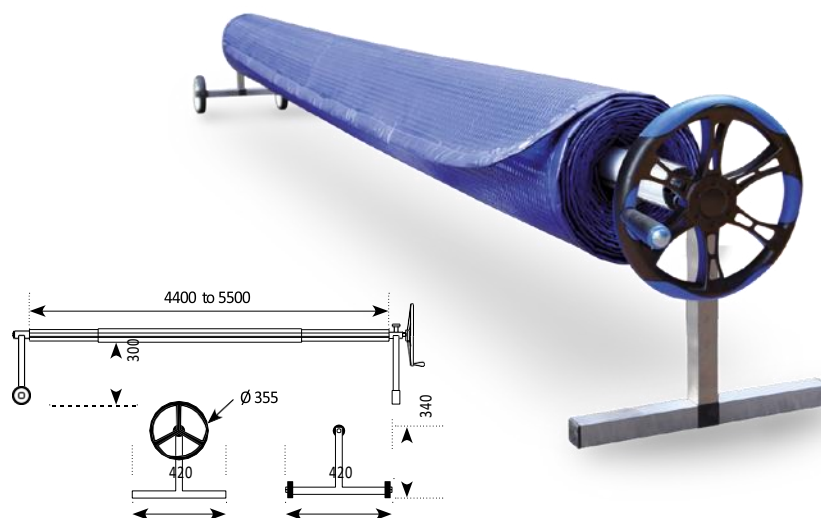
- 1 roller.
- 13 x 1.2 linear metres cabiclic bungee cords.

Packaging:

2 packages	Dimensions in mm	Weight in kg
Stand	630 x 430 x 130	6
Roller shaft	2270 x 170 x 90	10

Optional:

- PVC cover protector with velcro



Plus 4/5

Quality and strength.

- $\varnothing 50$ mm welded stainless steel base stand with 2 wheels on one side and a locking system.
- $\varnothing 100$ mm telescopic aluminium roller shaft. Tubes bolted together.
- A special groove incorporated into the tube, allows the bubble cover fastening kit to be installed easily and reliably.
- Dual material $\varnothing 335$ mm handling wheel with rotating handle and brake (slowing and locking knob).

Composition:

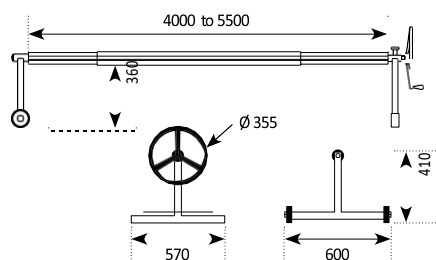
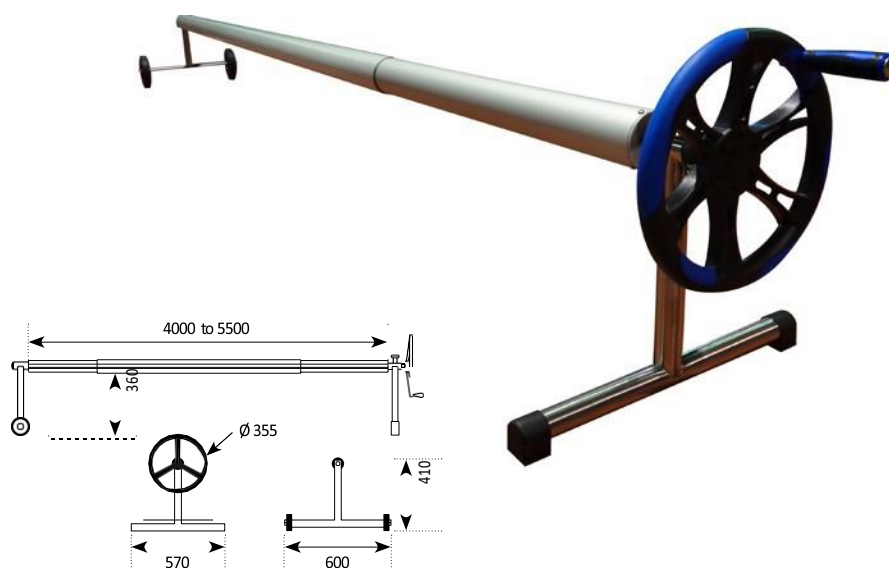
- 1 roller.
- 11 x 1.2 linear metres cabiclic bungee cords.

Packaging:

2 packages	Dimensions in mm	Weight in kg
Stand	470 x 620 x 140	8.2
Roller shaft	220 x 110 x 2230	11.5

Optional:

- PVC cover protector with velcro





Plus 5/6.5

MADE IN EUROPE

Quality and strength.

- \varnothing 50 mm welded stainless steel base stand with 2 wheels on one side.
- \varnothing 100 mm telescopic aluminium roller shaft. Tubes bolted together.
- A special groove incorporated into the tube, allows the bubble cover fastening kit to be installed easily and reliably.
- 1 Dual material hand-wheel with \varnothing 355 mm rotating handle and brake (slowing and locking knob).

Composition:

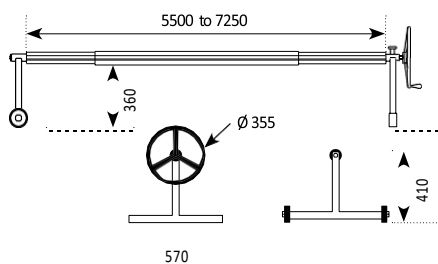
- 1 roller.
- 14 x 1.2 linear metres cabiclic bungee cords.

Packaging:

2 packages	Dimensions in mm	Weight in kg
Stand	470 x 620 x 140	9
Roller shaft	220 x 110 x 3030	16.3

Optional:

- PVC cover protector with velcro .



For bubble covers.

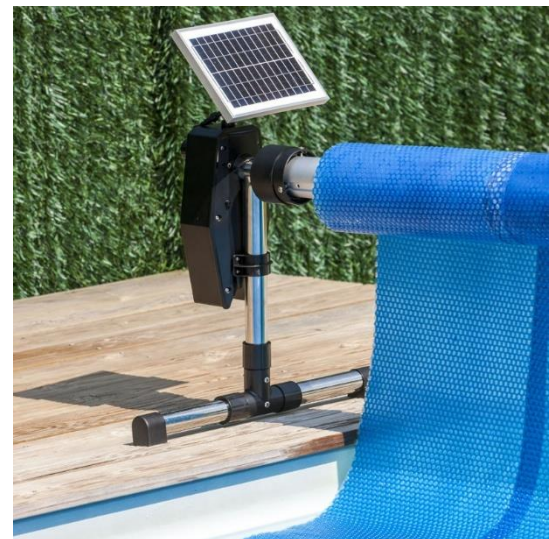
- A solar motorised system allowing the automatic rolling up of bubble covers.
- The roller shaft is in one piece to guarantee optimum technical characteristics and minimum load-bearing deflection.
- The product is equipped with 12.6V, battery of 2.000mA guaranteeing optimum use for small pools up to 5.5m wide.

Composition:

- 1 attaching strap kit.
- 1 remote control unit.
- 1 battery de 2000mA.
- 1 telescopic roller/ergonomic wheel kit.

Packaging:

2 packages	Dimensions in mm	Weight in kg
Stand	480 x 600 x 110	7
Roller shaft	160 x 80 x 2160	6



Optional:

PVC cover protector with Velcro

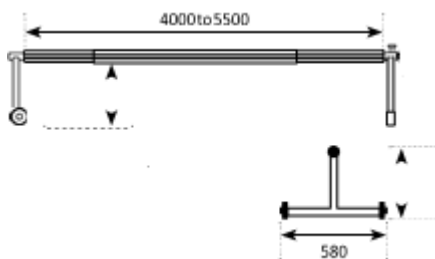




Photo not contractually binding

Forte mobile roller

MADE  IN EUROPE

For pools up to 10 x 35 m*.

* Larger surface areas can be covered by installing several rollers and covers side by side.

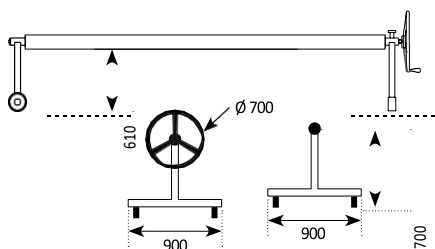
- 100 mm square welded stainless steel base stand with 2 wheels on either side.
- \varnothing 160 mm static aluminium roller shaft.
- (bespoke roller shaft length = 400 mm more than the pool width).
- \varnothing 700 mm hand-wheel and brake.

Composition:

- 1 roller.
- Gripper strap fixing system.

Packaging:

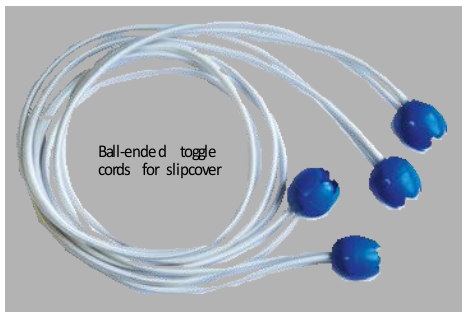
2 packages	Dimensions in mm	Weight in kg
Stand	400 x 870 x 1000	40
Roller shaft	Bespoke product: dimensions and weight depending on the size of the pool to be covered.	



Bubble and roller accessories



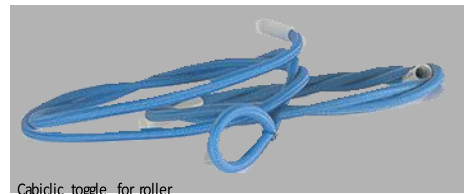
PVC cover protector with velcro



Ball-ended toggle cords for slipcover



Detachable eyelet

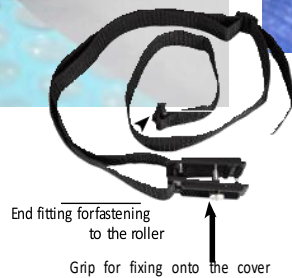


Cabidic toggle for roller

Gripper strap universal fixing



Eyelet fixing



Protective slipcover

A standard protective slipcover and two ball-ended toggle cords are included in the price of the bubble cover except for the "Eco" model.

Gripper strap universal fixings

They are used to fix a rough cut bubble cover to a roller or to attach a cover with eyelets.

Description
Blue detachable eyelet (per unit)
Protective slipcover sold by the linear metre
Protective slipcover sold in lengths of 4.20 m
Protective slipcover sold in lengths of 5.20 m
Protective slipcover sold in lengths of 6.20 m
Protective slipcover sold in lengths of 8.20 m
Ball-ended toggle cords for slipcovers (pair)
Cabidic cord for roller with loop and toggle - Length 1.20 m
Cabidic cord for roller with loop and toggle - Length 2.50 m
Cabidic cord for roller with 2 toggles - length 1.20 m
Cabidic cord for roller with 2 toggles - length 2.50 m
Universal gripper strap locking kit (set of 8)

Rollers

Extend your bubble cover service life and find the model perfectly adapted to your pool. Easy handling, easier installation and optimum pool covering.



Rollers, table of comparison



m²

In ground pool

Roller shaft (mm)

Mobile

Max. pool width(m)

Max. pool

Max. pool

Solar power

length (m)

surface area (m²)

supply

Basic	✓	75	✓	5	10	45	-
Basic +	✓	80	✓	5	10	50	-
Plus 4/5	✓	100	✓	5	16	72	-
Motorised roller by solar	✓	75	✓	5,50	10	90	✓
FORTE mobile roller	✓	160	✓	10	35	350	-