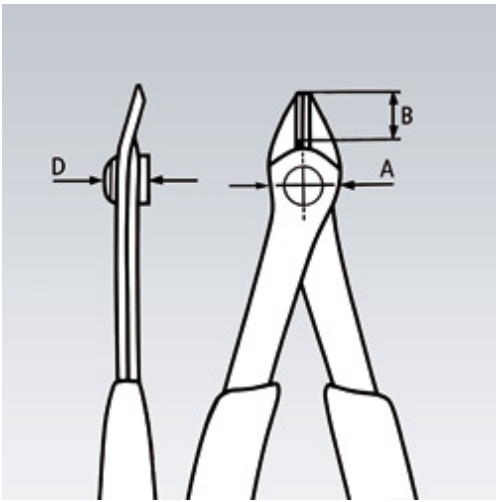


78 61 125 ESD Electronic *Super Knips*<sup>®</sup> ESD

- Technical details
- Description
- Special
- Applications

	<b>No.</b>	78 61 125 ESD
	<b>EAN</b>	4003773025184
	<b>Pliers</b>	burnished
	<b>Handles</b>	with multi-component grips
	<b>Style</b>	6
	<b>Head</b>	
	<b>Cutting capacities soft wire (diameter)</b>	0,2 - 1,6 Ø mm
	<b>Cutting capacities medium hard wire (diameter)</b>	1,2 Ø mm
	<b>A</b>	13,5 mm
	<b>D</b>	7,5 mm
	<b>B</b>	9,0 mm
	<b>Length</b>	125 mm
	<b>Net weight</b>	56 g



- Precision pliers for ultra fine cutting work, e. g. in electronics and fine mechanics
- Electrically discharging handles - dissipative
- Ground, very sharp cutting edges without bevel
- Shear cut with controlled micro cutting edge misalignment for the most precise cutting of even the thinnest of wires and for a long service life
- Precision shaped tips cut wires resting on a board from 0.2 mm dia.
- Joint with stainless steel rivet
- Extremely smooth movement for minimum operator fatigue
- With opening spring and opening limiter

Model:

- Cutting edges additionally induction-hardened, cutting edge hardness approx. 64 HRC
- Special tool steel, burnished

#### ESD pliers (electrostatic discharge)

electrostatic energy is discharged through the handles in a gradual and controlled manner

which protects components endangered by electrostatic discharge

in accordance with applicable standards, e.g. IEC TR 61 340-5, DIN EN 61 340-5, SP Method 2472



technical change and errors excepted

**Tell us about your opinion**

### How satisfied are you with our product pages?

1	2	3	4	5	6	7	8	9	10
---	---	---	---	---	---	---	---	---	----

Very Unsatisfied

Very Satisfied

### What do you miss here?

Do you have any suggestions how to improve our product pages?

### Do you know where you can buy our products?

Yes  No

### Would a store locator be helpful for you?

Yes  No

Done