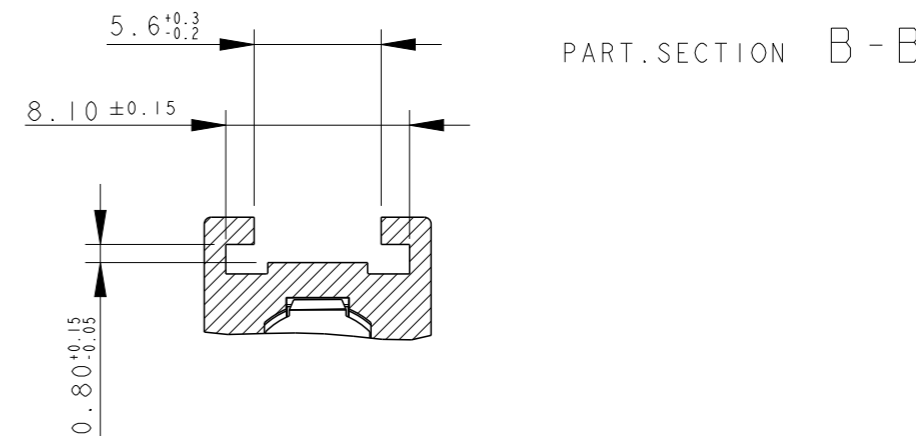
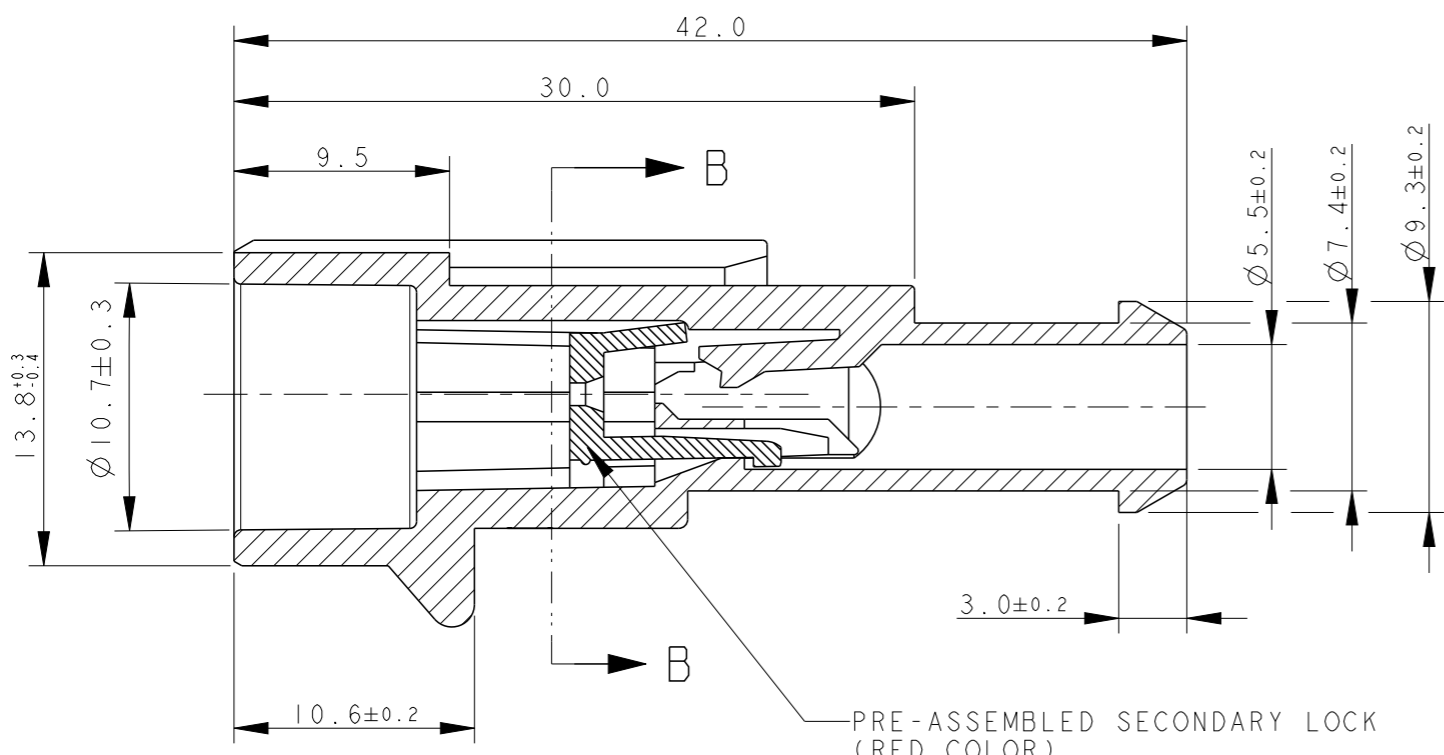
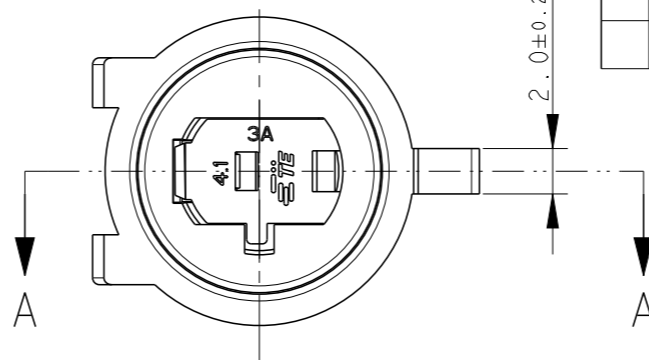
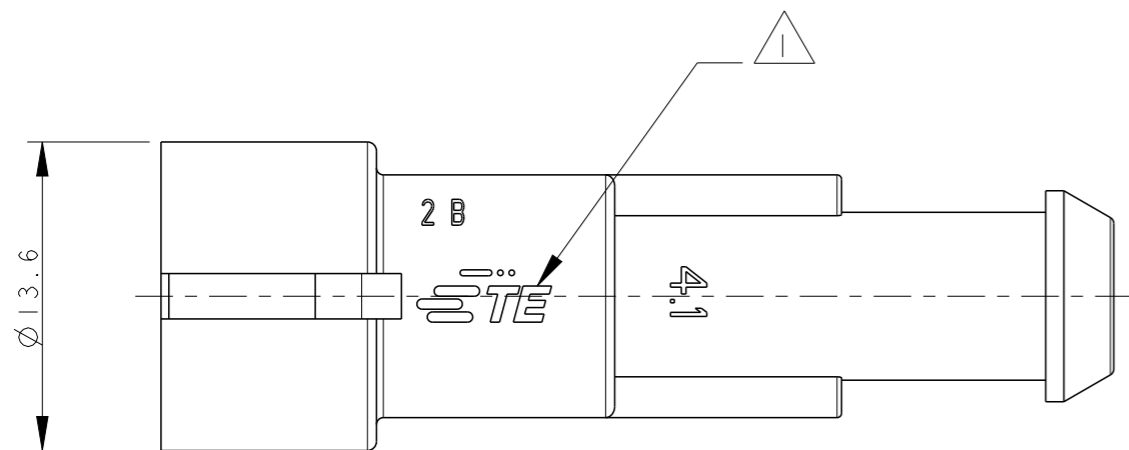


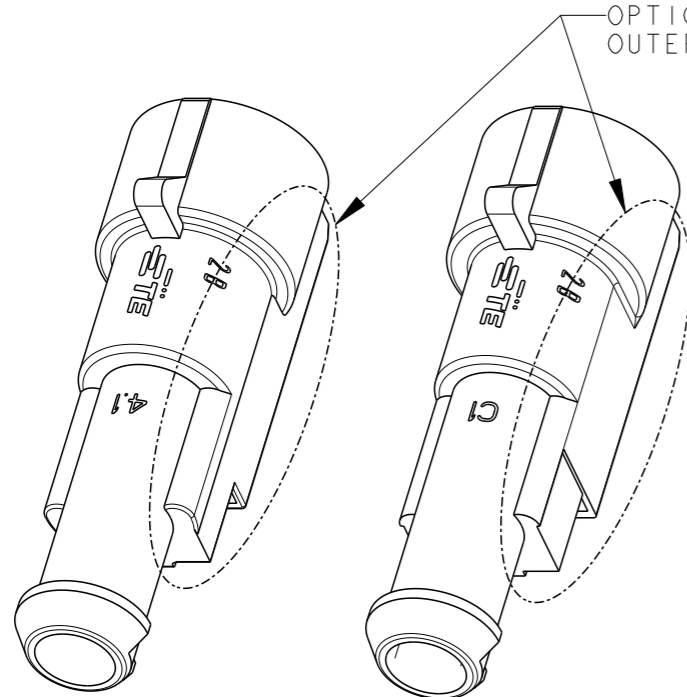
REVISIONS

P	LTR	DESCRIPTION	DATE	DWN	APVD
B1		REVISED (ECO-17-009774)	06SEP2017	M.G.	M.G.
B2		REVISED PER ECO-18-003893	05MAR2018	AP	VN
B3		REVISED PER ECO-20-002019	12FEB2020	AP	VN



PRE-ASSEMBLED SECONDARY LOCK (RED COLOR)

OPTIONAL SHAPE OF OUTER PROFILE

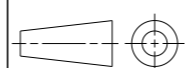


- 1 TE CONNECTIVITY TRADE MARK, (IN ALTERNATIVE: "AMP" LOGO, OR "Tyco Electronics" LOGO)
- 2 PRELIMINARY

2	BROWN	PA66-GF	B	4-282103-1
	GRAY	PA66-GF	B	282103-2
	BLACK	PA66-GF	B	282103-1
	FINISH/COLOR	MATERIAL	REV	PART NUMBER

THIS DRAWING IS A CONTROLLED DOCUMENT.

DIMENSIONS: mm



MATERIAL - SEE TABLE

TOLERANCES UNLESS OTHERWISE SPECIFIED:

0 PLC	±	
1 PLC	± 0.3	
2 PLC	±	
3 PLC	±	
4 PLC	±	
ANGLES	± 2°	

FINISH - SEE TABLE

DWN C. BERTINI 02-1990

CHK A. BRUNI 02-1990

APVD -

PRODUCT SPEC 108-20090

APPLICATION SPEC 412-20000

WEIGHT 2.83g

Customer Drawing

NAME AMP SUPERSEAL 1.5 SRS. 1 POSITION TAB ASS'Y

SIZE CAGE CODE DRAWING NO RESTRICTED TO

A300779 C-282103

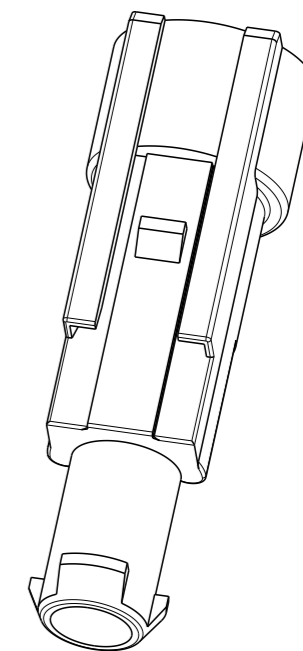
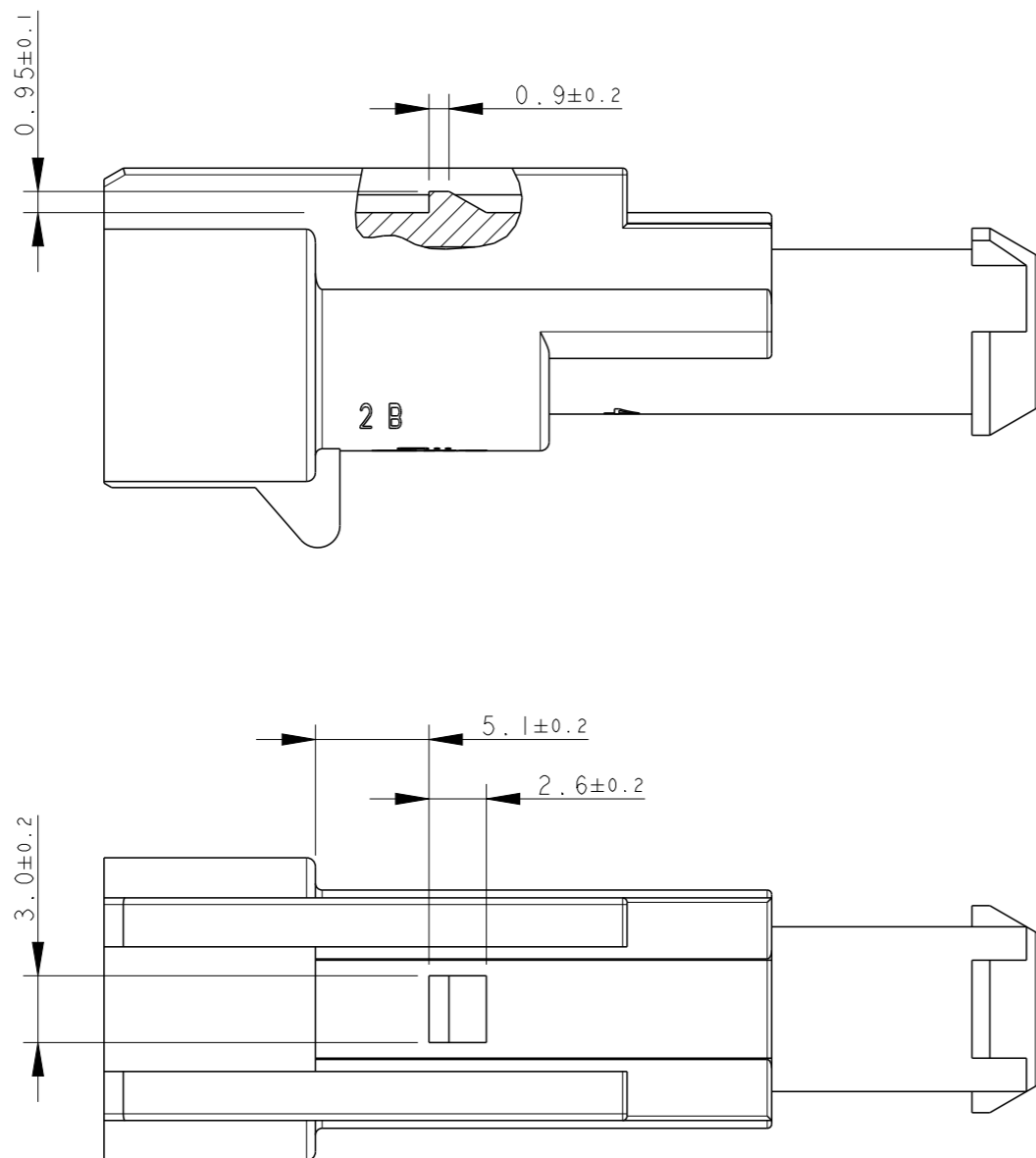
SCALE 3:1 SHEET 1 OF 2 REV B3



REVISIONS

P	LTR	DESCRIPTION	DATE	DWN	APVD
-	-	SEE SHEET 1	-	-	-

REFER SHEET 1 FOR MISSING DIMENSIONS



**PRELIMINARY**

4-282103-1 AS SHOWN

THIS DRAWING IS A CONTROLLED DOCUMENT.

DWN C. BERTINI 02-1990

CHK A. BRUNI 02-1990

APVD -

PRODUCT SPEC

108-20090

APPLICATION SPEC

412-20000

WEIGHT

2.83g

NAME

AMP SUPERSEAL 1.5 SRS.  
1 POSITION TAB ASS'Y

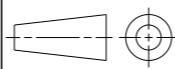
SIZE CAGE CODE DRAWING NO RESTRICTED TO

A300779 C-282103

SCALE 3:1 SHEET 2 OF 2 REV B3

DIMENSIONS:

mm



TOLERANCES UNLESS OTHERWISE SPECIFIED:

- 0 PLC ±-
- 1 PLC ± 0.3
- 2 PLC ±-
- 3 PLC ±-
- 4 PLC ±-
- ANGLES ± 2°

MATERIAL

SEE TABLE

FINISH

SEE TABLE



TE Connectivity