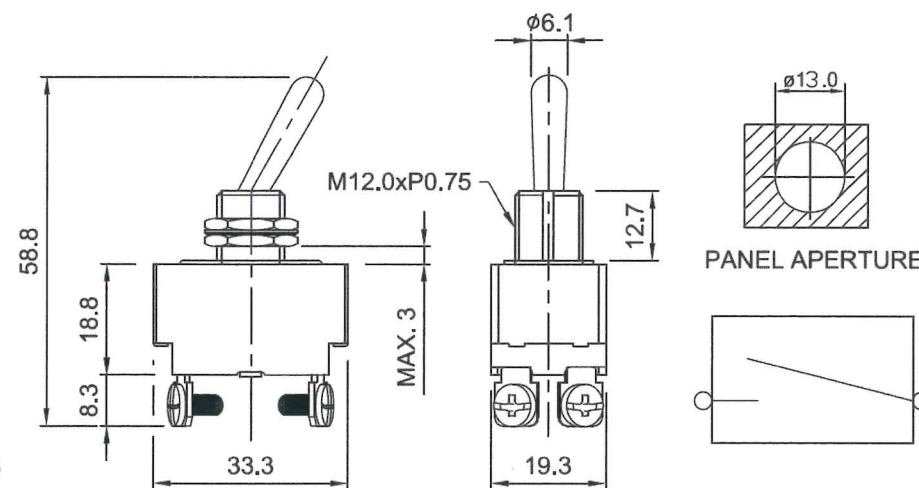
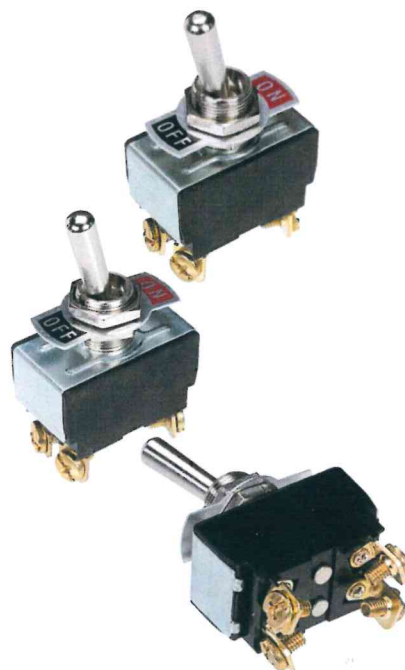


TOGGLE SWITCH

PHOTO / TECHNICAL DRAWING



DIMENSIONS

L x W x H: 33,3 x 19,3 x 58,8 mm

TECHNICAL SPECIFICATIONS

Contact termination: 4 Screw terminals
Panel aperture: Ø 13 mm
Length mounting stem: 12,7 mm, thread M12xP0,75
Special feature: With name plate
Rating: 25A@12V