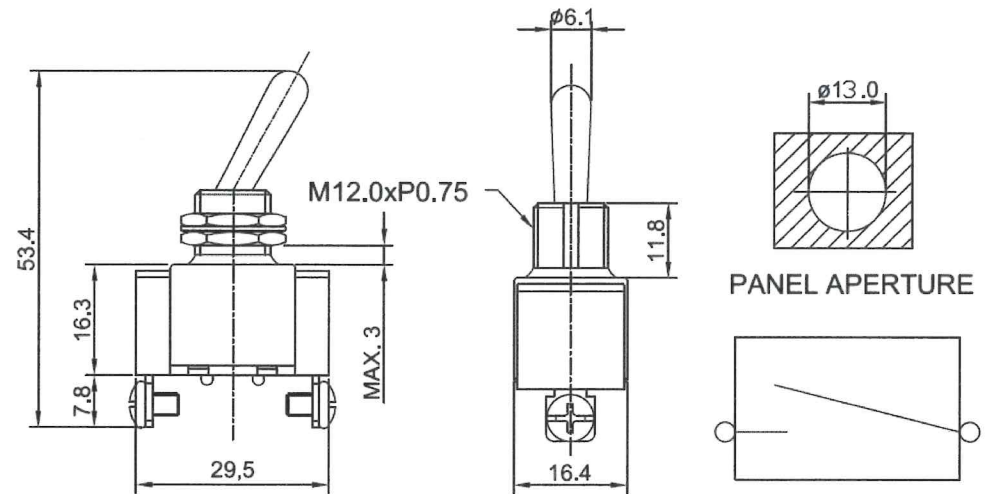


LED TOGGLE SWITCH

PHOTO / TECHNICAL DRAWING



DIMENSIONS

L x W x H:

29,5 x 16,4 x 53,4 mm

TECHNICAL SPECIFICATIONS

Contact termination:

2 Screw terminals

Panel aperture:

Ø 13 mm

Length mounting stem:

11,8 mm, thread M12xP0,75

Rating:

25A@12V