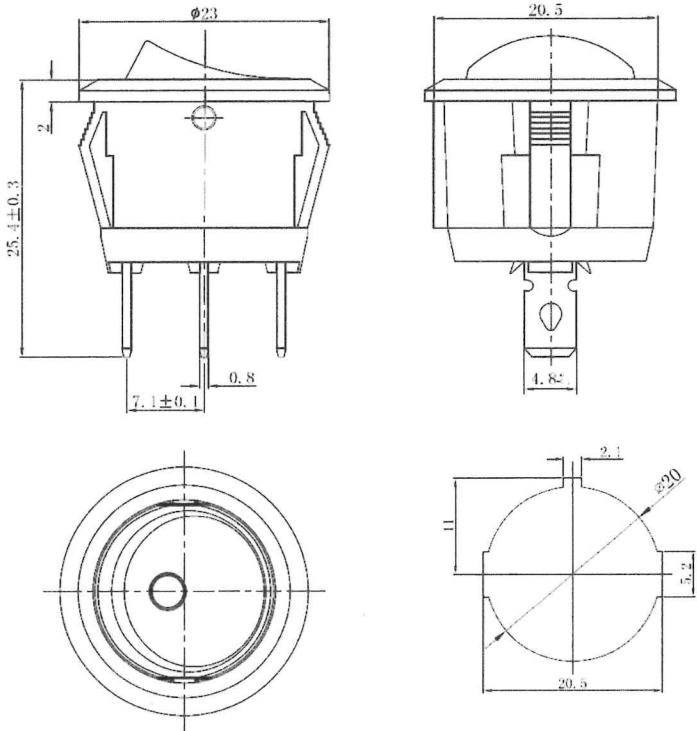


LED ROCKER SWITCH

PHOTO / TECHNICAL DRAWING



DIMENSIONS

H x Ø: 25,4 x 23 mm

TECHNICAL SPECIFICATIONS

- Body: Plastic, black
- Terminals: 3 Tab terminals 4,8x0,8 mm
- Panel aperture: 20,5 mm
- Operating temp.: Up to 85 °C
- Rated current: 12V, 10A
- Insulated resistance: $\geq 100\text{m}\Omega$
- Contact resistance: $\leq 50\text{m}\Omega$
- Dielectric strength: $\geq 1500\text{V AC/5S}$
- Electrical life: ≥ 10000 cycles