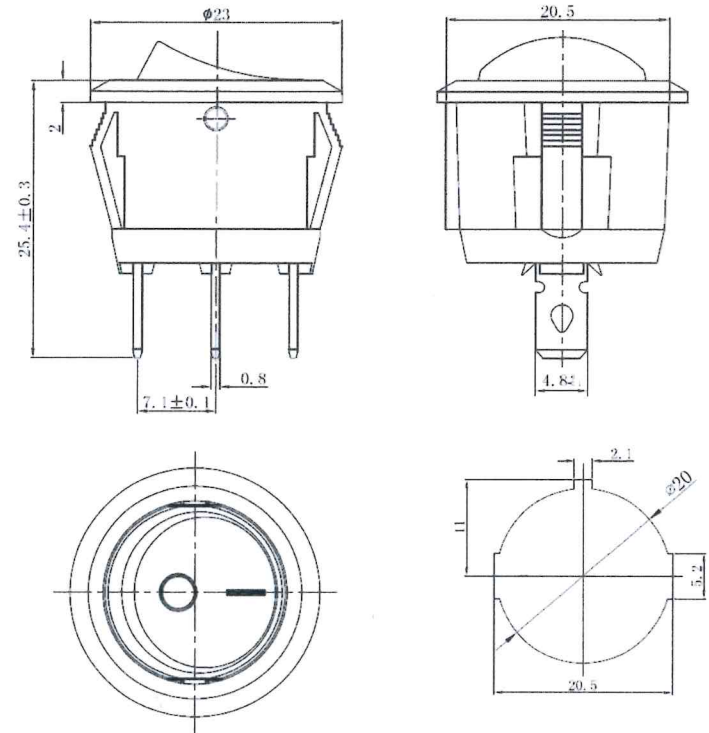


## LED ROCKER SWITCH

### PHOTO / TECHNICAL DRAWING



### DIMENSIONS

H x Ø: 25,4 x 23 mm

### TECHNICAL SPECIFICATIONS

Body:	Plastic, black
Terminals:	3 Tab terminals 4,8x0,8 mm
Panel aperture:	20,5 mm
Operating temp.:	Up to 85 °C
Rated current:	12V, 10A
Insulated resistance:	≥ 100mΩ
Contact resistance:	≤ 50mΩ
Dielectric strength:	≥ 1500V AC/5S
Electrical life:	≥ 10000 cycles