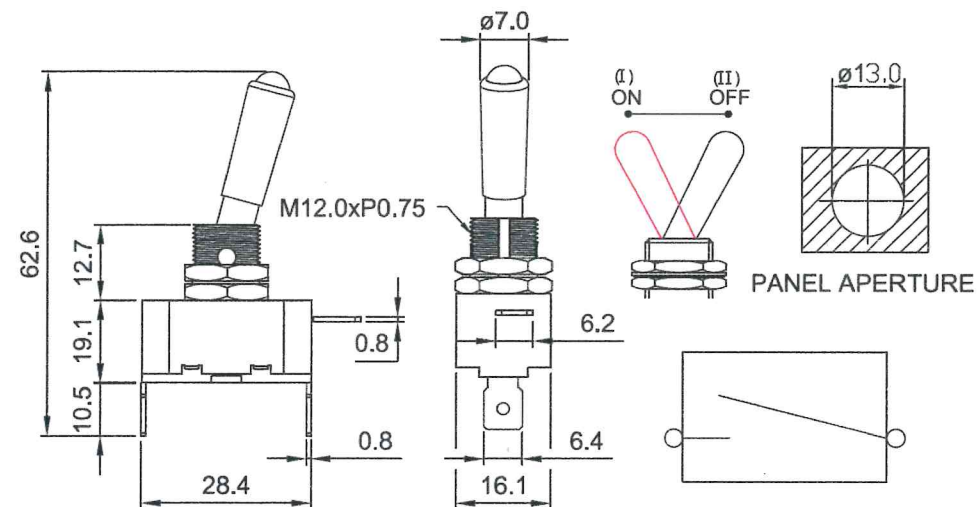


LED TOGGLE SWITCH

PHOTO / TECHNICAL DRAWING



DIMENSIONS

L x W x H: 28,4 x 16,1 x 52,1 (+10,5) mm

TECHNICAL SPECIFICATIONS

Contacts:	Iron, nickel plated
Contact termination:	2 Tab terminals, 6.4x0.8 mm 1 Tab terminal, 6.2x0.8 mm
Positions:	On-Off
Panel aperture:	Ø 13 mm
Mounting stem:	Length 12,7 mm, thread M12xP0,75
Rating:	20A@12V