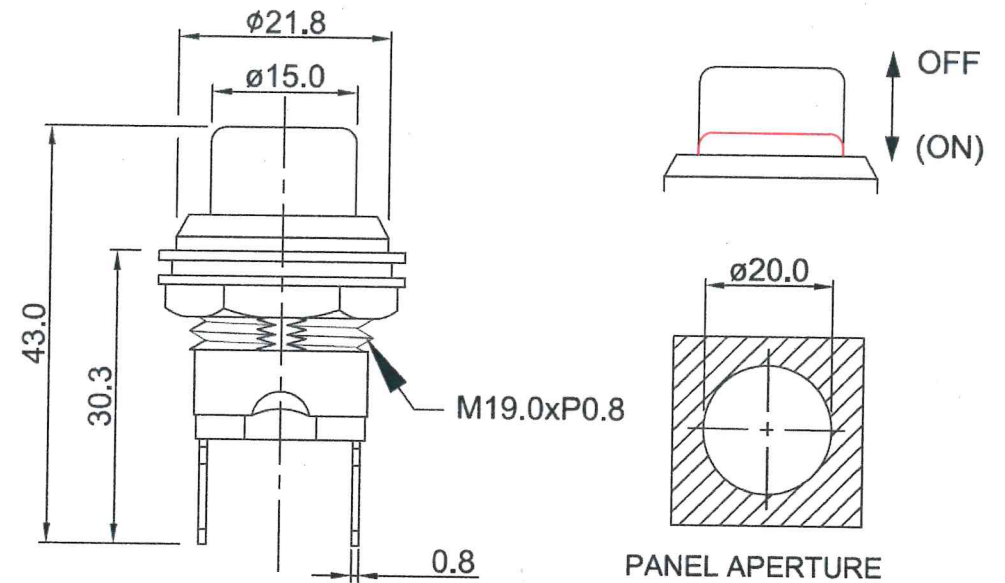


PUSH BUTTON SWITCH

PHOTO / TECHNICAL DRAWING



DIMENSIONS

L x ϕ : 43 X 21,8 mm

TECHNICAL SPECIFICATIONS

Contacts:	Copper
Contact termination:	2 Tab terminals
Positions:	Off-(On)
Panel aperture:	$\phi 20$ mm
Mounting stem:	Thread M19xP0,8
Rating:	11A@12V or 2,5A@24V