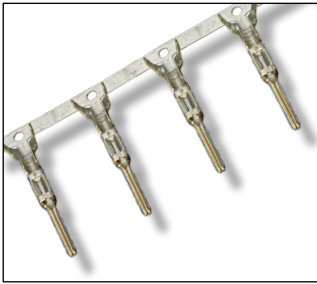


## AMP SUPERSEAL 1.5 Series Connectors 1.5 mm Tab Contacts

### 1.5 mm Tab Contacts



#### Technical Features

**Contact Finish:**

Tin plated, gold plated

**Current Carrying Capacity:**

14 A max.

**Wire Size Range:**

0.35 – 2.5 mm<sup>2</sup>

**Extraction Tool:**

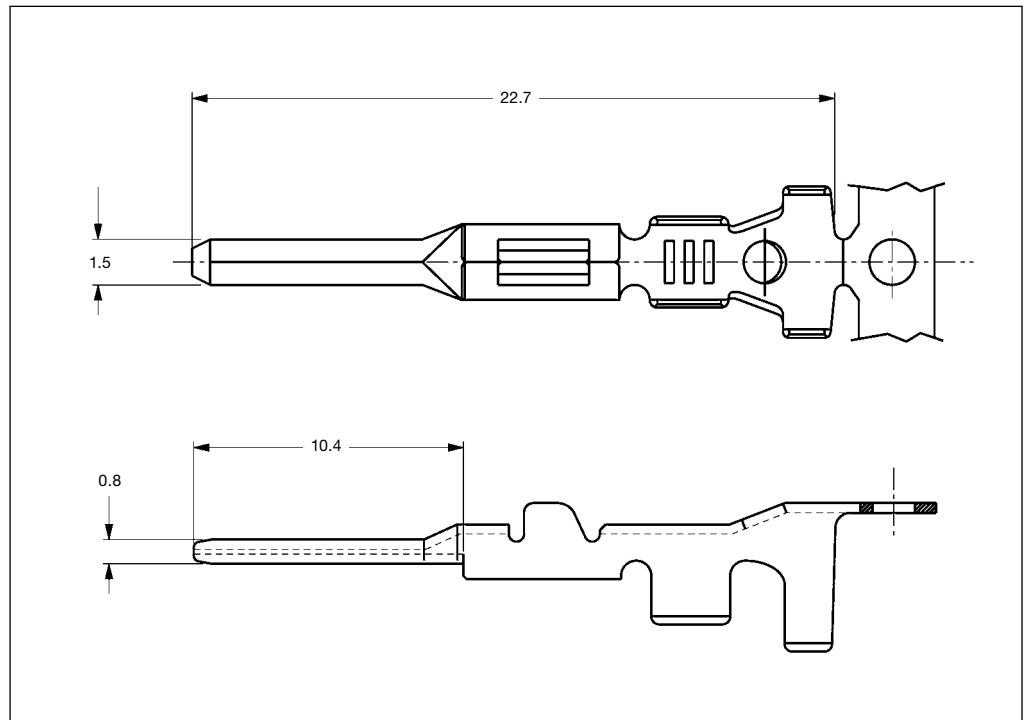
Part No. 9-1579007-1

**Product Specification:**

108-20090

**Application Specification:**

114-20045



### 1.5 mm Tab Contacts

Wire Size Range (mm <sup>2</sup> )	Insulation Diameter (mm)		Material and Finish	Part Numbers		
	FLK	FLR		Strip Form	Applicator	Hand Tool
0.35 – 0.50	1.45 – 2.20	1.2 – 1.6	CuZn, tin plated	282404-1	2151855-2	Hand Tool Frame 539635-1 Die Set 539773-2
			CuZn, gold plated	282404-3		
0.75 – 1.50	2.40 – 3.35	1.7 – 2.4	CuZn, tin plated	282109-1	2151204-2 / 2266068-2 *)	58583-1
			CuZn, gold plated	282109-3		
1.50 – 2.50	3.15 – 3.80	2.2 – 3.3	CuZn, tin plated	282465-1	2266253-2	–

\*) Use in Stripper Seal Crimp Terminator