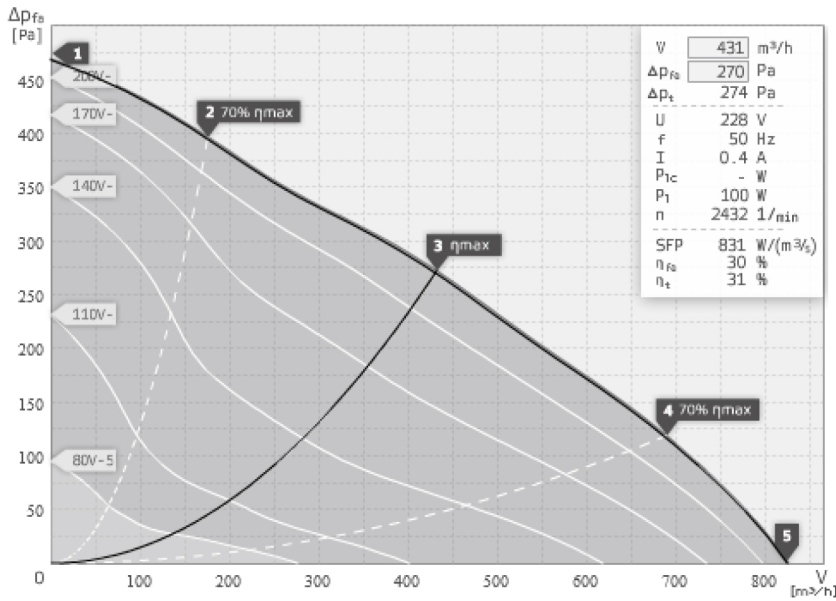


# RK 250 - 830 m<sup>3</sup>/h

## TECHNICAL DATASHEET

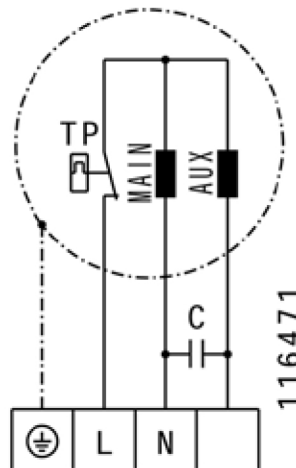
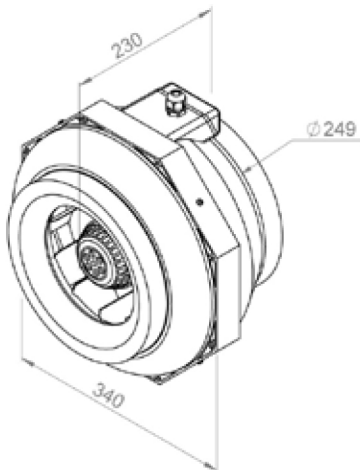


- Backward curved centrifugal fan
- Plastic housing PA6, RAL 7035
- Speed controllable
- Integrated thermal switch
- Incl. terminal box

Operating Point		1	2	3	4	5
Current I	A	0,4	0,4	0,4	0,4	0,4
Power Consumption P1	W	76	86	100	98	89
RPM n	1/min	2721	2604	2440	2482	2573
SPL inlet LWA5	dB(A)	71	71	70	71	73
SPL outlet LWA6	dB(A)	73	72	71	73	74
SPL casing break out LWA2	dB(A)	56	56	55	56	57

Sound power (LW) dB(A)		Medium Frequency Band								
		Σ	63	125	250	500	1k	2k	4k	8k
Inlet	LWA5	69	-	52	59	63	65	63	57	46
Outlet	LWA6	70	-	56	64	63	65	64	59	47
Casing	LWA2	54	-	45	47	46	50	47	41	34

RK 250   104516	
Voltage UN	230 V 1~
Current Imax	0,5
Ambient Temperature tA	50 °C
Medium Temperature tM	50 °C
Speed Control	V
Motor Protection	TAI
Isolation Class	F
Weight	3,1 kg



116471