

Assembly Instructions

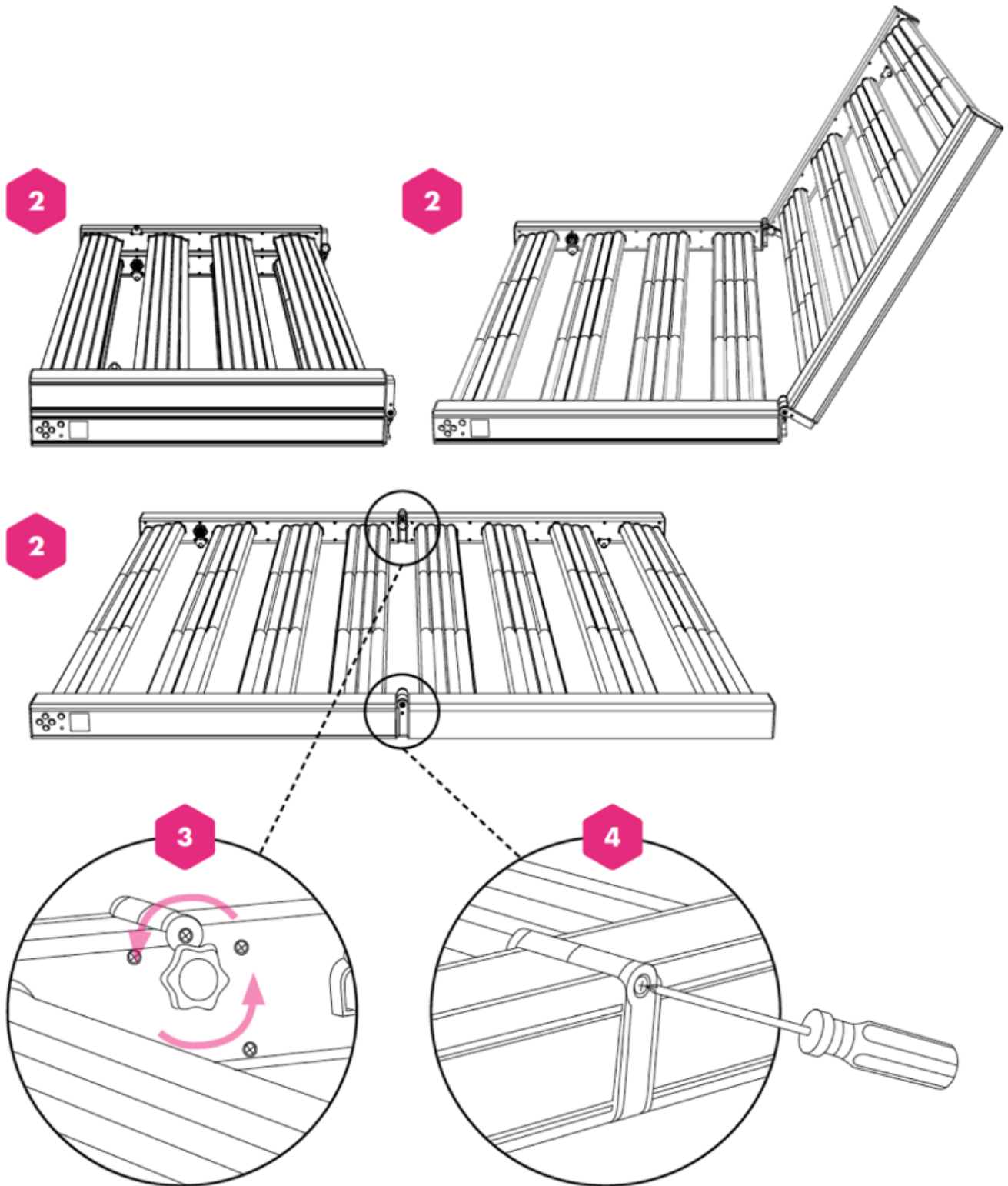
TAKE CAUTION WHEN HANDLING LIGHT BARS. ENSURE THE LED/LENSES DO NOT COME IN CONTACT WITH SHARP OBJECTS OR FORCE THAT MAY DAMAGE THE LENSES

1. Unbox Fixture

Unbox The Dimlux Xtreme LED and check that all in the indicated system and mounting hardware are present in the box.

2. Unfold Fixture

Unfold module and place on flush, stable surface then carefully turnaround the fixture so the lenses are facing downwards.



3. Tighten Knobs

When unfolded use the tighten knob on both insides of the hinge and turn counter clockwise to fixate the Xtreme LED fixture.

4. Tighten outside

At the same time use a Phillips screwdriver on the outside to tighten the fixture even more.

5. Fixate fixture

Always check whether hinge is tightly fixated.

6. Ready

The Dimlux Xtreme Led Fixture is ready to be mounted.