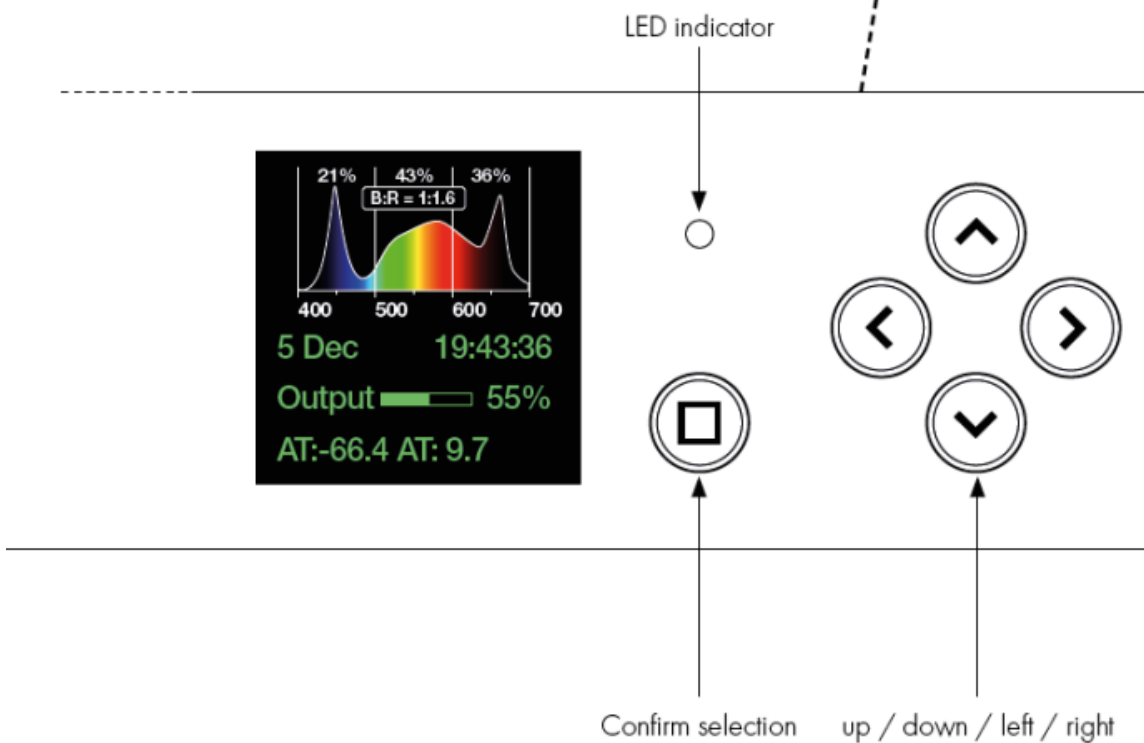
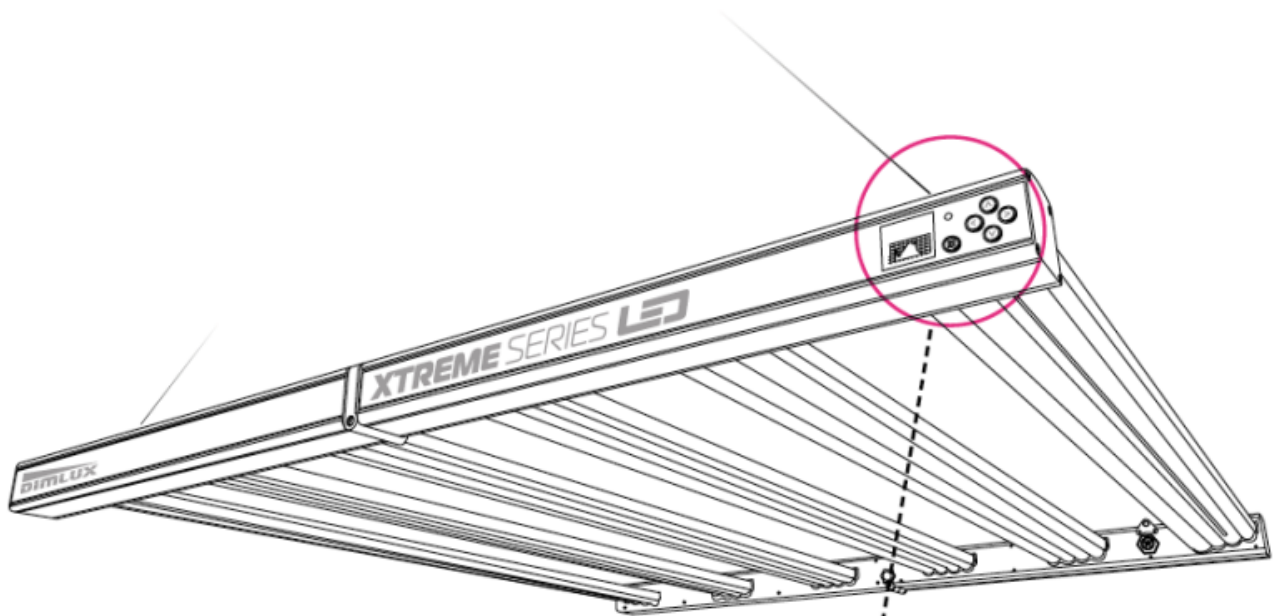


# LCD Display Navigation

## **ALL SETTINGS, STATUS, ERRORS AND SPECTRA ARE SHOWN ON 1.54" 65K COLOR IPS LCD DISPLAY**

With the 5 buttons on the fixture you can easily navigate through the setting, status, errors and spectra. Below you will find the function of each button.

You need to use the display to adjust the functionalities/settings of the fixture.



By pressing the button with the square you activate the display. Use the up/ down arrows to navigate through the settings. If you are on a setting and use the right arrow you go to the subsettings / functionalities.

Any adjustment in setting must be confirmed with the button with square.

If the LCD display is not operated for 2 minutes, it will jump back to home and the display will go to 50%, 25% or 10% brightness.