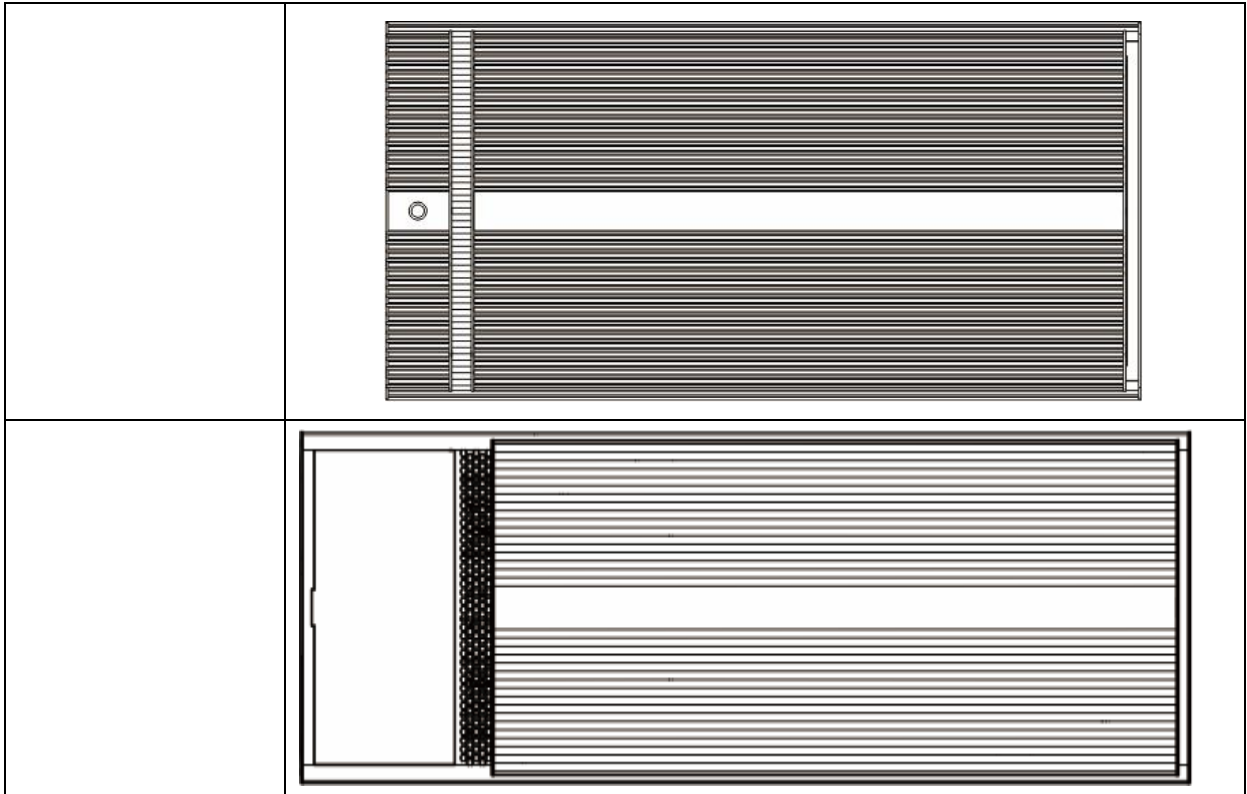


INFRARED HEATER



OWNER'S MANUAL

READ AND SAVE THESE INSTRUCTIONS

Read all instructions carefully before setting up and operating this unit.

This manual is designed to provide you with important information needed to setup, operate, maintain for your radiant heaters.

Failure to follow these instructions may damage and/or impair its operation and void the warranty.



1. SAFETY PRECAUTIONS

This appliance is not intended for use by persons (including children) with reduced physical sensory or mental capabilities, or lack of experience and knowledge, unless they have been given supervision or instruction concerning use of the appliance by a person responsible for their safety.

Children should be supervised to ensure that they do not play with the appliance.

WARNING: In order to avoid overheating, do not cover the heater.

1. If the supply cord is damaged, it must be replaced by the manufacturer, its service agent or similarly qualified persons in order to avoid a hazard.
2. The heater must not be located immediately below a socket outlet.
3. Do not use the same socket together with other appliances, in case of current overload. Make sure the plug and socket good contact.
4. Please pull plugs out when power off. Do not pull wires by hands.
5. Please stop power immediately once heaters failure or wires are broken. Users can not repair heaters by themselves. Please contact authorized servicer for maintenance if heaters failure.
6. Radiant heater cannot be placed directly below the power outlet.
7. Radiant heater surface temperature is high, must be installed higher than 2.2 meters above ground.
8. Radiant heater surface cannot be covered and cannot hang objects on equipment.
9. The distance between back of radiant heater and roof should be larger than 150mm, cannot place objects within 1000mm distance in front of radiant heater, the side should be kept at least 200mm away from the surrounding space.
10. Must cut off power and wait till equipment surface cool before cleaning, flushed by water is prohibited.

11. Users cannot repair the radiant heater, if equipment failure and need maintenance, please contact authorized servicer.
12. Do not install and use radiant heaters on areas occur with flammable, explosive, easy to shock.
13. Please do not insert any metal or foreign objects to inside of radiant heater, to avoid accident or personal injury.
14. Radiant heater panel surface with high temperature, the surface temperature can reach to $>250^{\circ}\text{C}\sim 380^{\circ}\text{C}$, touch is forbidden, beware of scalding accident.
15. Do not splash water into radiant heater to avoid accidents.

2. FOREWORD

Thank you for your trust and support in choosing the Infrared Heater, please read the instructions carefully before operating product.

3. INFRARED HEATER THEORY

Far-infrared radiant heaters are produced by unique design and manufacturing technique.

Using a specially coated aluminum panel, the heat generated by the heating element is transferred radiantly to people and objects with maximum efficiency.

The heat radiated from the panel surface, is absorbed by people, walls, floors, and furniture etc., like sunshine.

Infrared heating will not lead to air movement, making the air cleaner, as dust and particles are not disturbed and circulated. Traditional convection heating relies on air movement to distribute the heat.

The air remains less humid, and gives you a sense of fresh, comfortable, warmth-similar to the warmth felt from the sun.

4. PERFORMANCE FEATURES

Comfortable:

No wind, light or odor will be caused during the running of this product, so the indoor air is clean without floating dust.

Energy-saving:

High heat generation and excellent heat distribution, use less energy than traditional heating methods.

Reliable:

The indoor temperature can be adjusted freely, free of the limitation of heating season.

Physical therapy:

The heat radiant can change body microcirculation, cell organization under skin producing resonance, clearing the barrier of microcirculation, adjusting and balancing nervous system, promoting metabolism, increasing body physical power. It is very good for people's health.

Far-infrared radiant heaters are produced by unique design and manufacturing technique.

Using a specially coated aluminum panel, the heat generated by the heating element is transferred radiantly to people and objects with maximum efficiency.

The heat radiated from the panel surface, is absorbed by people, walls, floors, and furniture et cetera, like sunshine.

Infrared heating will not lead to air movement, making the air cleaner, as dust and particles are not disturbed and circulated. Traditional convection heating relies on air movement to distribute the heat.

The air remains less humid, and gives you a sense of fresh, comfortable, warmth-similar to the warmth felt from the sun.

5. WORKING CONDITION

Ambient temperature: -30°C ~ +40°C

Rated Voltage: 220-240V~

Rated frequency: 50Hz/60Hz

Relative humidity: less than 95%

6. INSTALLATION REQUIREMENTS

1. Qualified installer:

The installation must be carried out by trained personnel.

2. Installation conditions:

(1) Supply voltage fluctuation range should be within $\pm 10\%$, If not, please revise before installation.

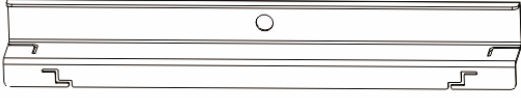
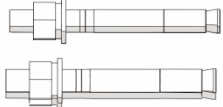
(2) If there is a serious security risk in users' electricity environment, the installation should be refused, until eliminate the security risks.

(3) Electricity lines should be equipped with earth leakage protection devices and master switch.

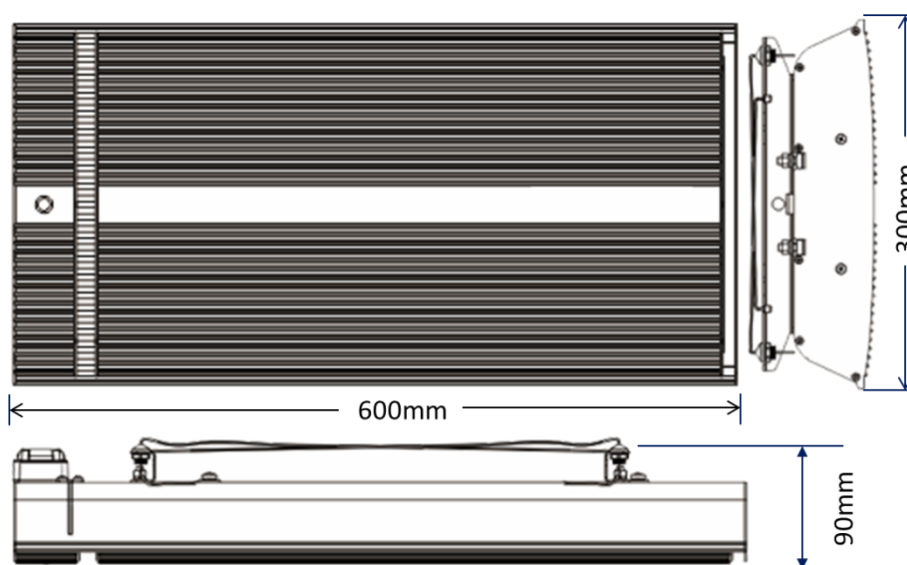
(4) Ground wire should be connected to the grounding device on the building, if not, please consult to professional installer, please do not put ground wire to gas pipe, water pipe, lightning rod or telephone grounding wire.

Model No.	Power(W)	Current(A)	Voltage(V)	Lighting power(W)
JH-NR16-18A	1650	7.5	220-240	N/A
JH-NR20-19A	2000	9.1	220-240	12W

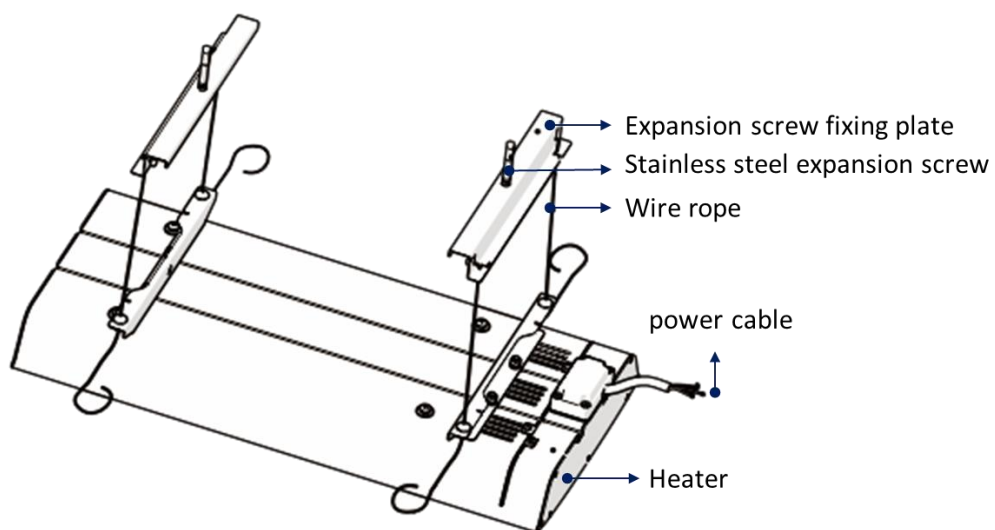
7. SPARE PARTS

Expansion screw fixing plate		2pc
Stainless steel expansion bolt		2pc

8. INSTALLATION INSTRUCTION(JH-NR16-18A)

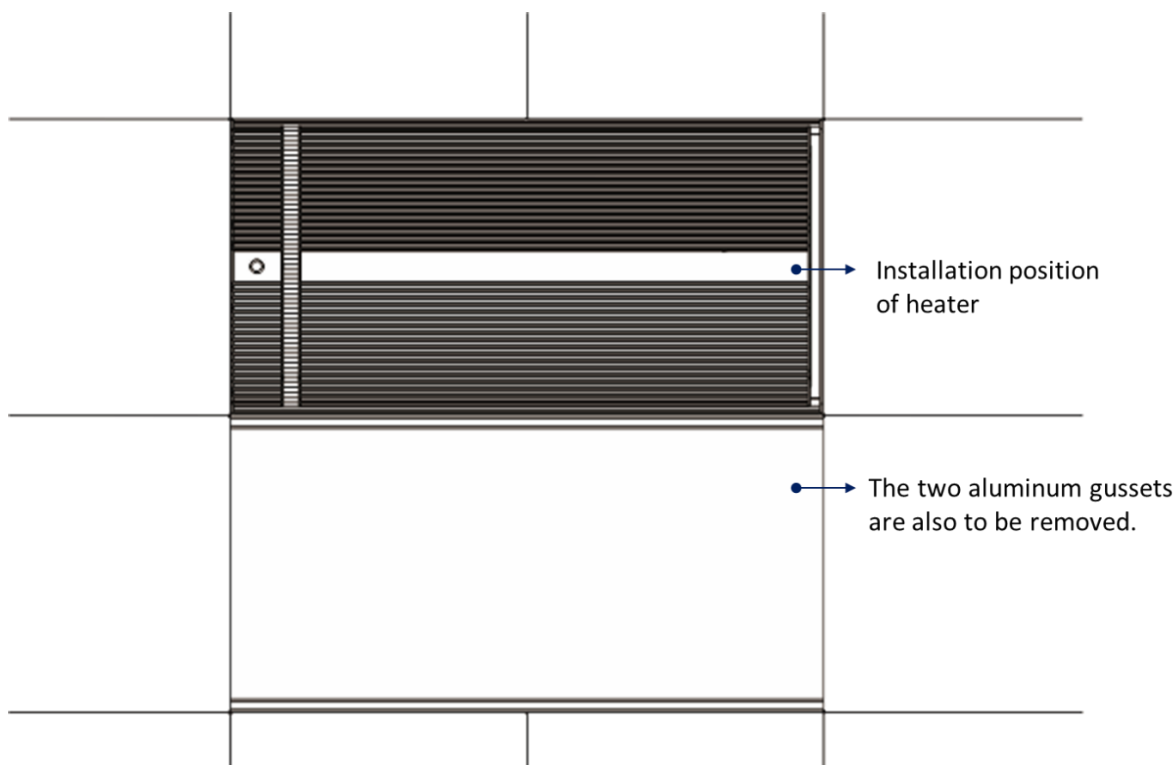


Specifications

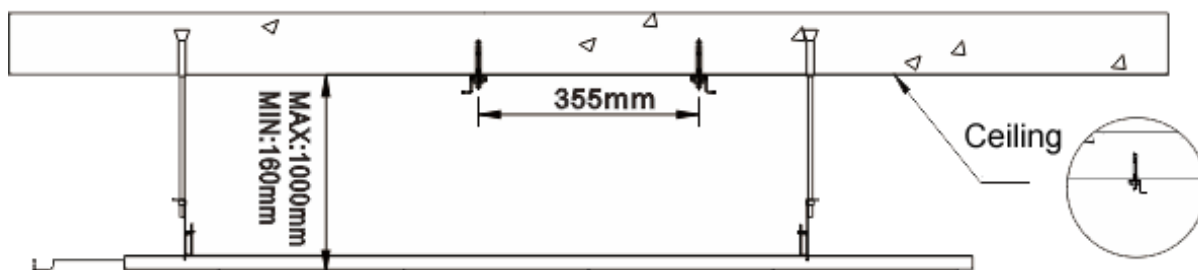


Installation decomposition

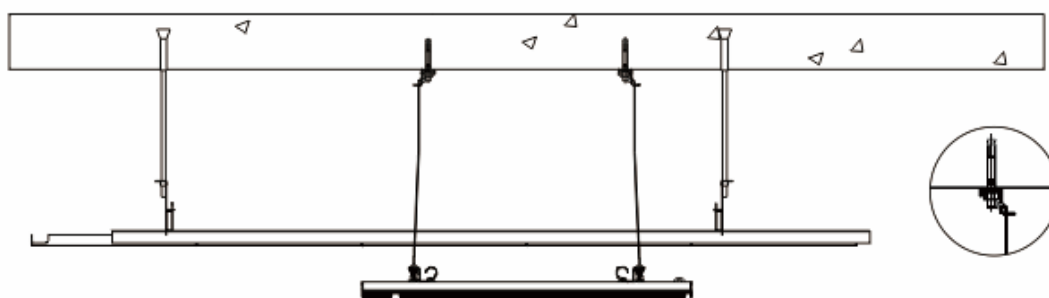
Step 1: Select the position of the heater on the ceiling, and remove the two aluminum gussets in the installation position and the two aluminum gussets in the side.



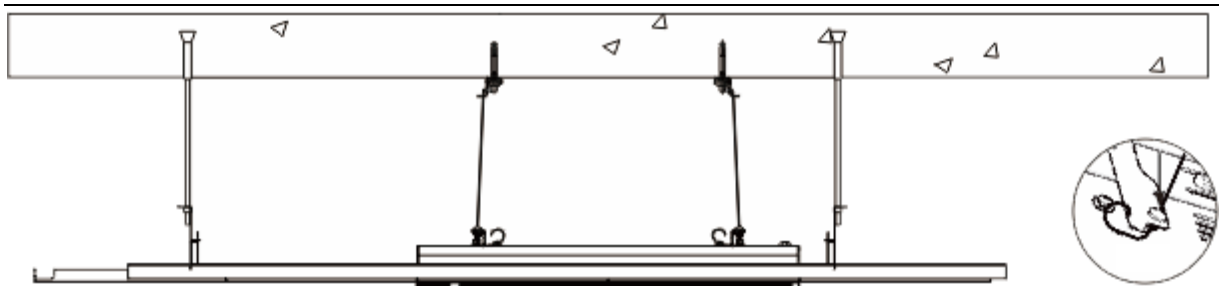
Step 2: Right above the installation position of the heater, make a 10mm diameter bolt hole with a percussion drill, insert the stainless steel expansion bolt, and fix the "expansion screw fixing plate". The hole spacing between the two "expansion screw fixing plates" is 355mm.



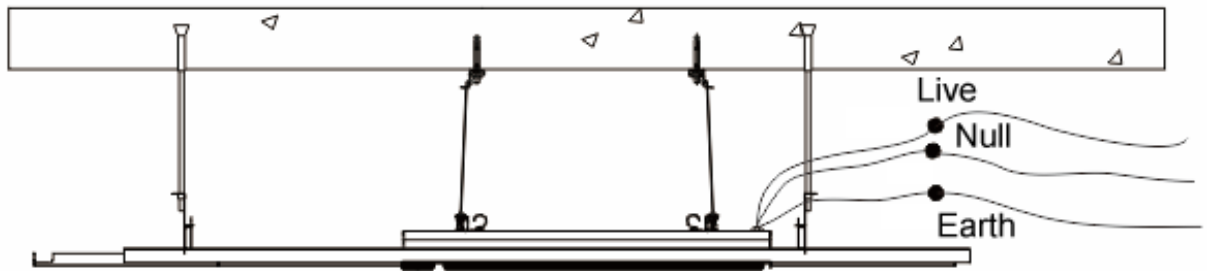
Step 3: Install the wire rope in the wire groove of regulator holder.



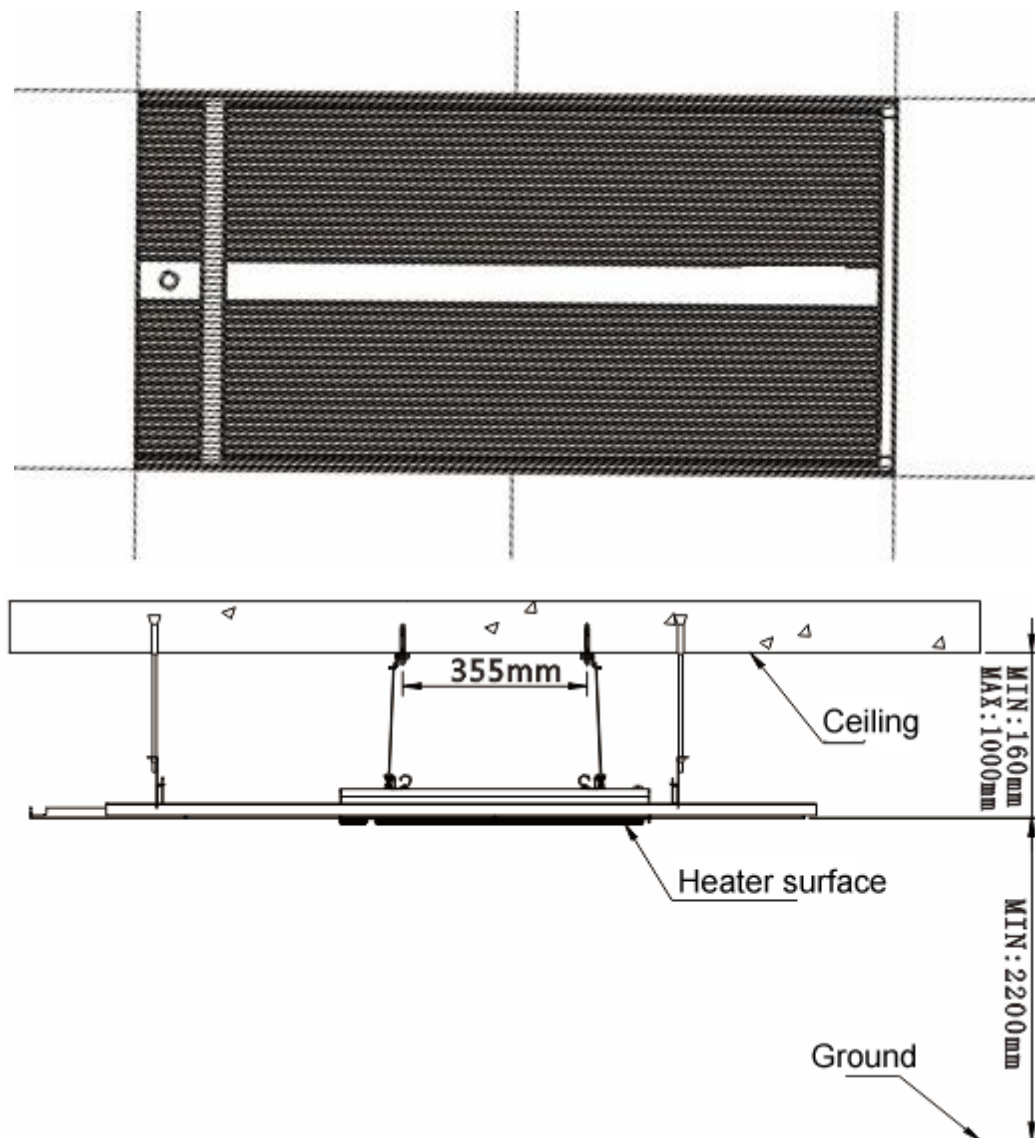
Step 4: Ensure the surface of the heater is flush with the aluminum gusset by adjusting the length of the wire rope.



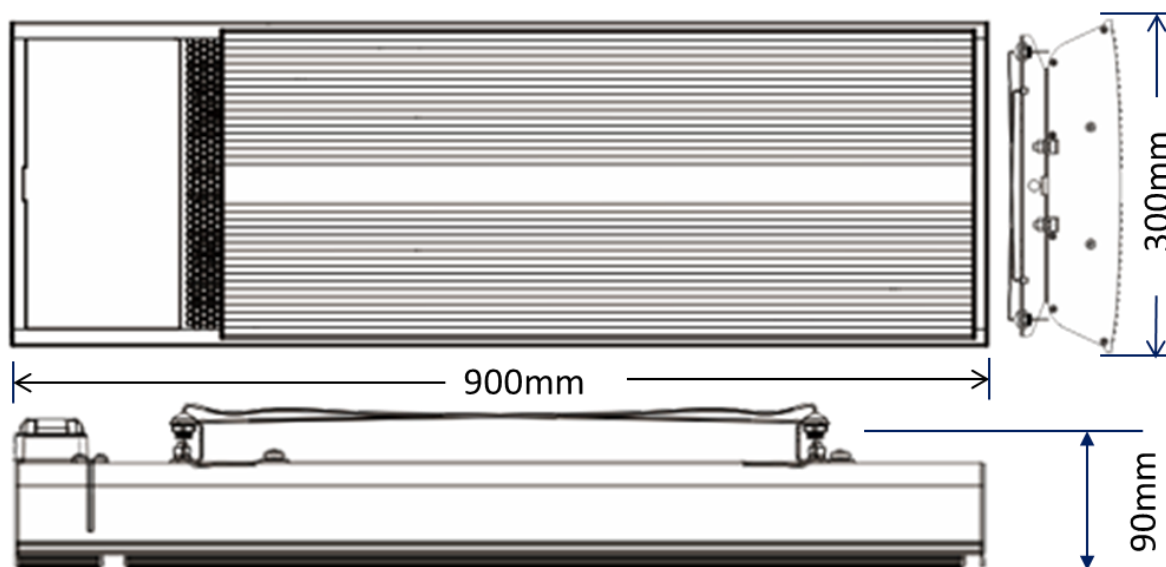
Step 5: Connect the lead wires of the heater to the corresponding power cable.
 (Note: Make sure the product is completely grounded!)



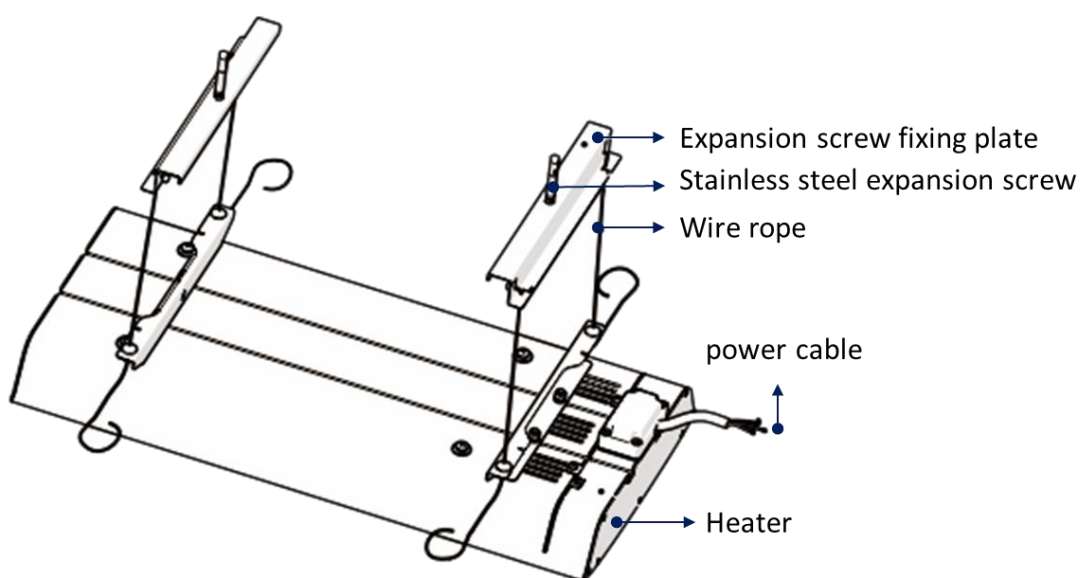
Step 6: Reinstall the removed aluminum gussets.



8. INSTALLATION INSTRUCTION

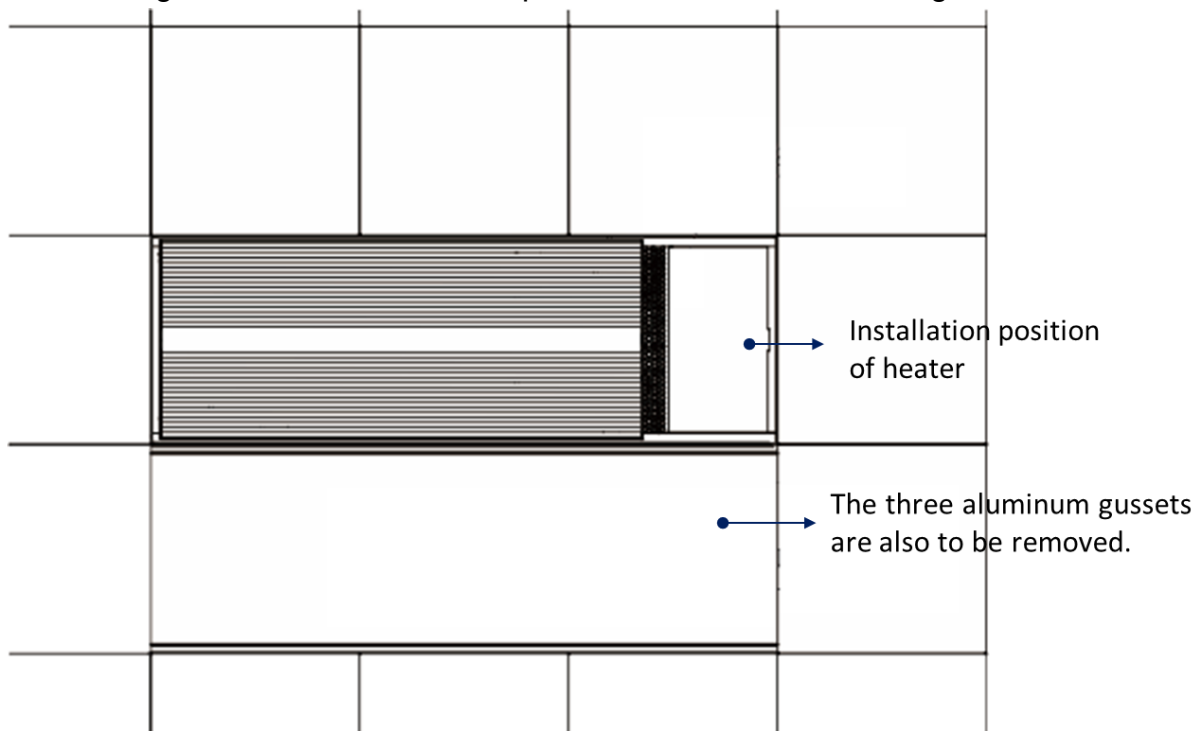


Specifications

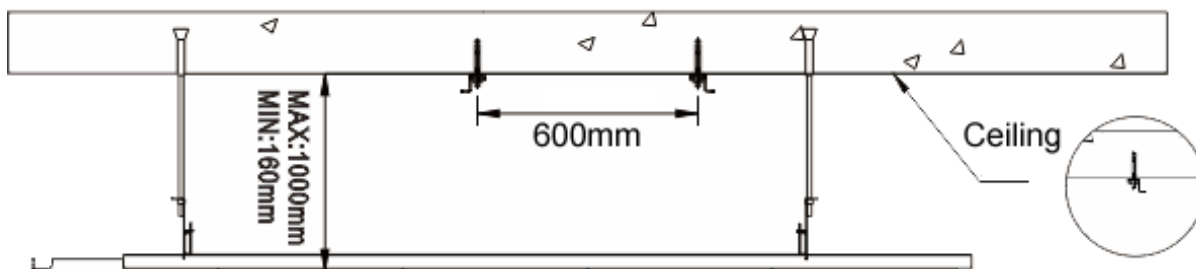


Installation decomposition

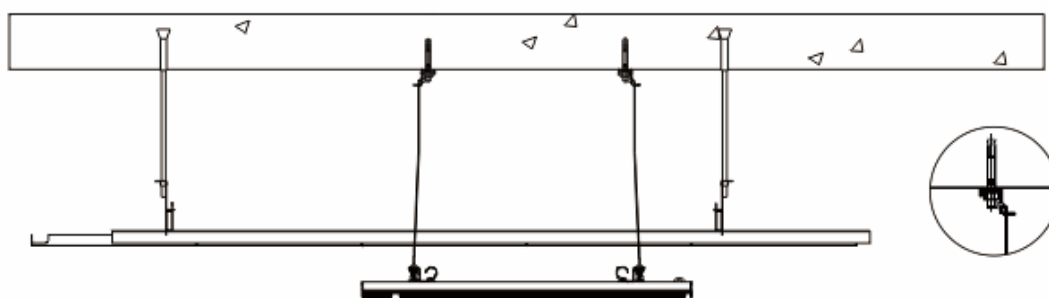
Step 1: Select the position for installing the heater on the ceiling, and remove the 3 aluminum gussets in the installation position and the 3 aluminum gussets in the side.



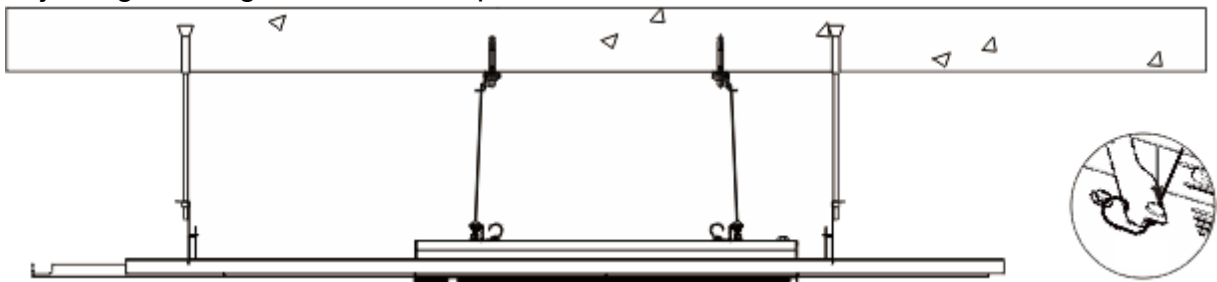
Step 2: Right above the installation position of the heater, Make a 10mm diameter bolt hole with a percussion drill , insert the stainless steel expansion bolt, and fix the "expansion screw fixing plate",The hole spacing between the two "expansion screw fixing plates" is 600mm.



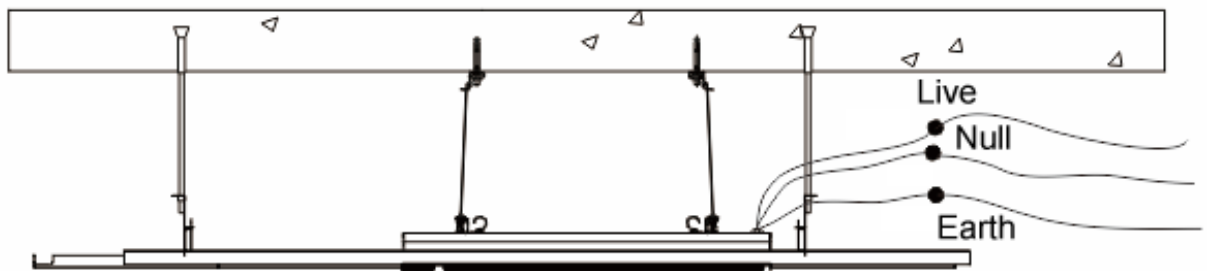
Step 3: Install the wire rope in the wire groove of regulator holder.



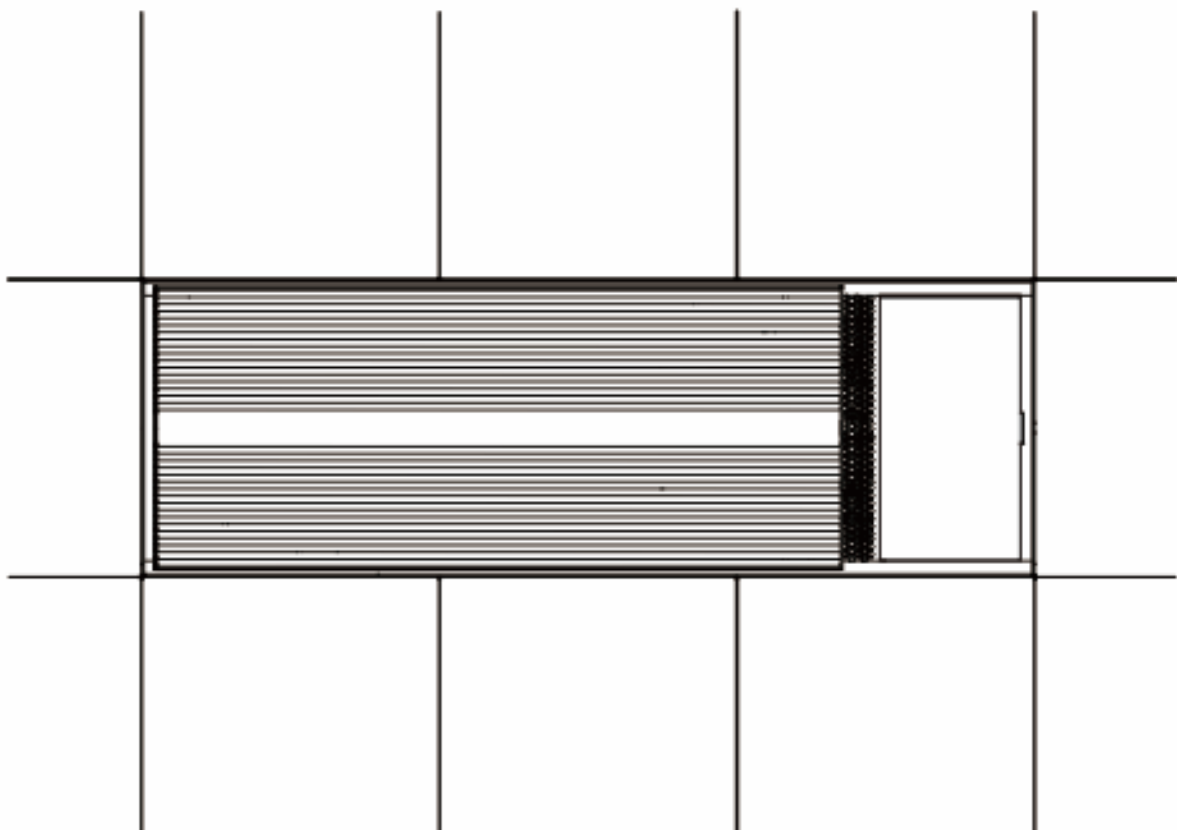
Step 4: Ensure the surface of the heater is flush with the aluminum gusset by adjusting the length of the wire rope.

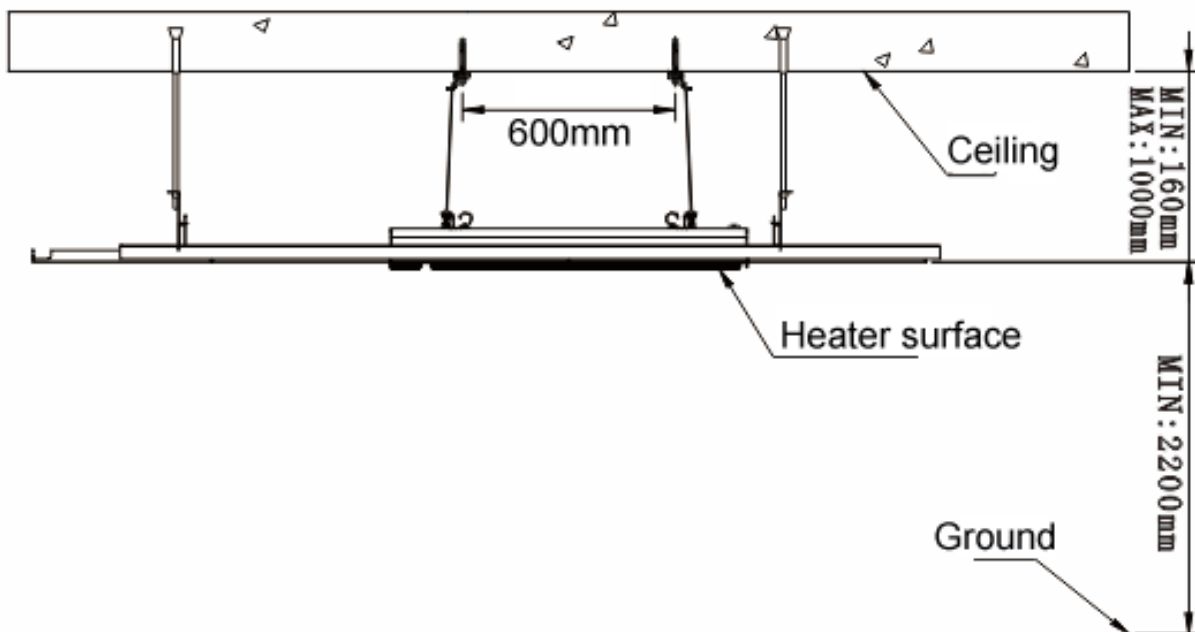


Step 5: Connect the lead wires of the heater to the corresponding power cable. (Note: Make sure the product is completely grounded!)



Step 6: Reinstall the removed aluminum gussets.





9. INSPECTION ITEMS AFTER INSTALLATION

Items to be checked	Situation caused by improperly i to be checked installation
Is installation stable?	The equipment may fall off or shake.
Is heat insulation adequate?	Damage objects close to equipment.
Does power voltage same as voltage shown on product nameplate?	Equipment failure.
Does wire connection correct?	Equipment failure.
Does electricity ground connected safely?	There is electricity leakage risk.

10. ATTENTION

Due to thermal expansion and contraction, the heater would make noise when turning on or off. It's a normal phenomenon, and won't make bad affection.

11. INSPECTION ITEMS FOR COMMISSIONING

1. Do not connect power until installation is complete.
2. All wires connection are correct and firm.
3. All scattered objects must be removed from radiant heater body.
4. Connect power and check heater is operating correctly.

12. PACKING LIST

No.	Name	QTY
1	Heater	1 pc
2	Expansion screw fixing plate	2 pc
3	Stainless steel expansion bolt M8 * 60	2pc

13. SPECIFICATIONS

Model No.	Dimension (mm)	Package size (mm)	Net weight (kg)	Gross weight (kg)
QH16-18A	600*300*90	650*355*150	6.2	7.3