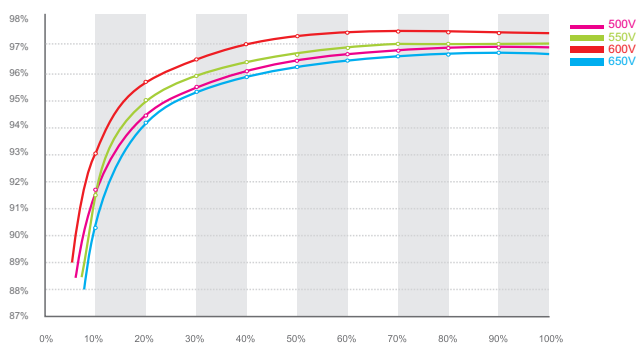


Leading - edge Technology

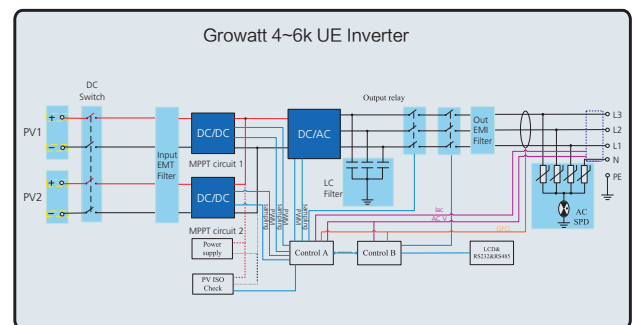
- ▶ Beautiful appearance and compact design
- ▶ Natural cooling concept
- ▶ Maximum efficiency of 98.3%
- ▶ Internal DC switch
- ▶ Wide input voltage range
- ▶ Maximum PV input power up to 1.2 times of rated power
- ▶ Maximum AC output power up to 1.1 times of rated power
- ▶ Easy installation, lighter and smaller than similar products
- ▶ Multiple monitoring and communication
- ▶ Comprehensive Growatt warranty program



Growatt 6000 UE efficiency



Growatt 4-6k UE topology



Datasheet	Growatt 7000TL3-S	Growatt 8000TL3-S	Growatt 9000TL3-S	Growatt 10000TL3-S
Input data				
Max. recommended PV power (for module STC)	8400W	9600W	10800W	12000W
Max. DC voltage	1000V	1000V	1000V	1000V
Start Voltage	250V	250V	250V	250V
PV voltage range	180V-1000V	180V-1000V	180V-1000V	180V-1000V
Nominal voltage	600V	600V	600V	600V
MPP voltage range at Full Power	320V-800V	360V-800V	400V-800V	450V-800V
Max. input current	11.5A/11.5A	11.5A/11.5A	11.5A/11.5A	11.5A/11.5A
Max. input current per string	12A	12A	12A	12A
Number of independent MPP trackers/ strings per MPP tracker	2/1	2/1	2/1	2/1
Output (AC)				
Rated AC output power	7kW	8kW	9kW	10kW
Max AC apparent power	7.7kVA	8.8kVA	9.9kVA	11kVA
Max. output current	11.7A	13.3A	15A	16.7A
AC nominal voltage; range	230V/400V 184~275V	230V/400V 184~275V	230V/400V 184~275V	230V/400V 184~275V
AC grid frequency	50/60Hz	50/60Hz	50/60Hz	50/60Hz
Power factor	0.8leading - 0.8laging	0.8leading - 0.8laging	0.8leading - 0.8laging	0.8leading - 0.8laging
THDi @Full load&Thdv<1%	<3%	<3%	<3%	<3%
AC grid connection type	3/N/PE	3/N/PE	3/N/PE	3/N/PE
Efficiency				
Max. efficiency	98.2%	98.2%	98.3%	98.3%
Euro - eta	97.8%	97.8%	98%	98%
MPPT efficiency	99.5%	99.5%	99.5%	99.5%
Protection Devices				
DC reverse polarity protection	yes	yes	yes	yes
DC switch for each MPPT	yes	yes	yes	yes
Output over current protection	yes	yes	yes	yes
Output AC overvoltage Protection - Varistor	yes	yes	yes	yes
Ground fault monitoring	yes	yes	yes	yes
Grid monitoring	yes	yes	yes	yes
Integrated all-pole sensitive leakage current monitoring unit	yes	yes	yes	yes
General Data				
Dimensions(W/H/D)	433/566/195 mm	433/566/195 mm	433/566/195 mm	433/566/195 mm
Weight	30kg	30kg	30kg	30kg
Operating temperature range	-25 °C ... +60 °C	-25 °C ... +60 °C	-25 °C ... +60 °C	-25 °C ... +60 °C
Noise emission (typical)	≤35 dB(A)	≤35 dB(A)	≤35 dB(A)	≤35 dB(A)
Altitude	3000m	3000m	3000m	3000m
Self-consumption night	< 0.5W	< 0.5W	< 0.5W	< 0.5W
Topology	Transformerless	Transformerless	Transformerless	Transformerless
Cooling concept	Natural convection	Natural convection	Natural convection	Natural convection
Environmental Protection Rating	IP65	IP65	IP65	IP65
Relative humidity	0~100%	0~100%	0~100%	0~100%
Features				
DC connection	H4/MC4(opt)	H4/MC4(opt)	H4/MC4(opt)	H4/MC4(opt)
AC connection	Screw terminal	Screw terminal	Screw terminal	Screw terminal
Display	LCD	LCD	LCD	LCD
Interfaces: RS232/RS485/RF/Ethernet/Wi-Fi	yes/yes/opt/opt/opt	yes/yes/opt/opt/opt	yes/yes/opt/opt/opt	yes/yes/opt/opt/opt
Warranty:5 years/10 years	yes/opt	yes/opt	yes/opt	yes/opt

Certificates and Approvals