

VISOR – Anti Fragment Protection



ULBRICHTS

PROTECTION

Benefits

Highest STANAG 2920 V50 value for anti fragment visors in the market









Fixed on the helmet via quick change system or screwed system

Available with the following accessories:

- Anti-fog foil
- Anti-scratch foil
- Visor protection cover



Technical facts

STANAG 2920 V50 (Fragmentation) 	>1345 ft/s (>410m/s)
Further protection 	 Knife (blade)  Nail (spike)  Needle (injection cannula)  Impact resistance
Design	Straight
Dimensions	8 x 150 mm
Weight 	750 ± 50g / 1.65 ± 0.11 lbs
Warranty 	5 years for Visors

TRUE PROTECTION DEFINITION



ULBRICHTS

PROTECTION



Highest STOP effect

OPTIO
HELMET



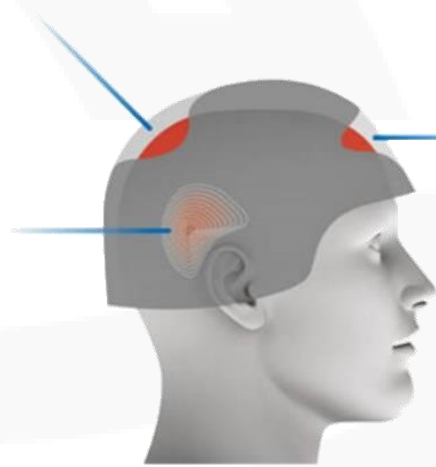
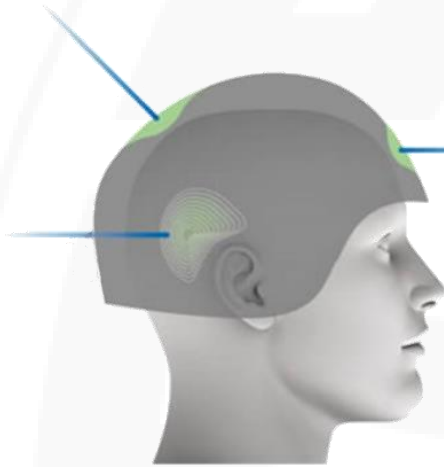
OPTIO
HELMET + FORTIS



ZENTURIO
HELMET



Lowest Trauma values (Backface deformation / BFD)



ULBRICHTS Titanium Hybrid Helmets

Trauma values (BFD) First Responder Helmets << 25 Joule
Trauma Values (BFD) Rifle Helmets < 25 Joule

Aramid / PE Helmet

Trauma values (BFD) >>25 Joule

— Firing direction

- Residual energy is absorbed by helmet (head is not or only slightly injured)
- Bullet deforms the helmet and directly injures the head (fatal)



Best liner system (UNI-SIZE & QUICK-SIZE 48-62 / Better Balance)



Smart modularity for all tactical needs



Selection of visors manufactured in-house to meet specific needs



Scan me for more information