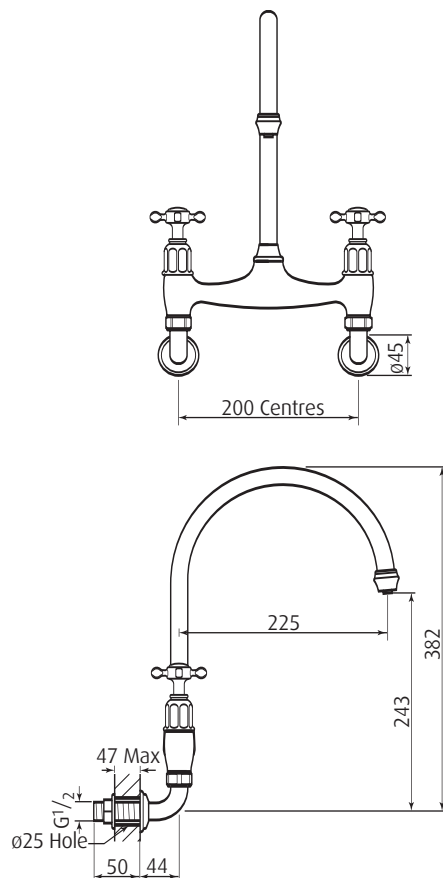


Specification 4182



Ionian Two Hole Sink Mixer with Wall Unions and Crosshead Handles

- 1/4 turn ceramic disc flow control ● vernier insert for accurate handle alignment
- unique handle construction with integral bearing ring ● Biflow



Temp Range:

min 1°C/34°F

max 85°C/185°F

Recommended working pressure:

min 0.2 bar/3psi

max 5 bar/75psi



Specification 4182



Ionian Two Hole Sink Mixer with Wall Unions and Crosshead Handles

- 1/4 turn ceramic disc flow control ● vernier insert for accurate handle alignment
- unique handle construction with integral bearing ring ● Biflow

Where * Indicated Specify Colour.

