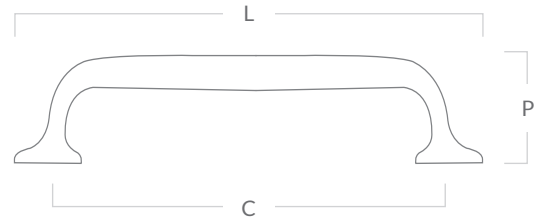


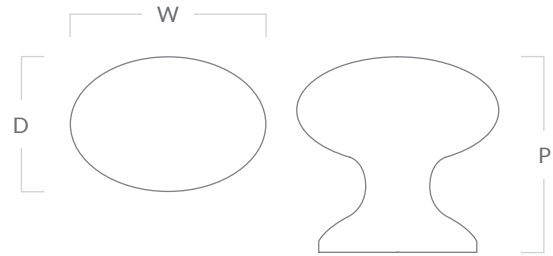
Bakes Pull Handle



Pull Code	Length (L)	Centres (C)	Projection (P)
BBF01	380mm	332mm	51mm
BBF02	244mm	203mm	35mm
BBF03	182mm	152mm	31mm
BBF04	155mm	127mm	26mm
BBF05	130mm	102mm	26mm



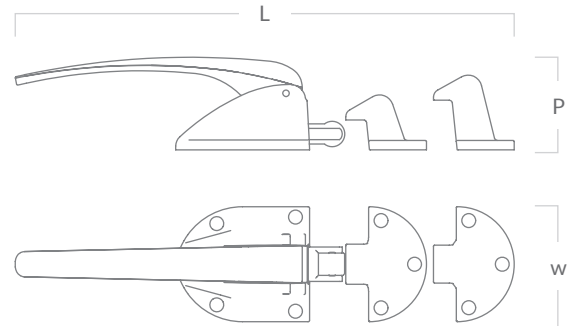
*Available in all Armac Martin finishes, & supplied with M4 breakoff screws.
 Please see: www.armacmartin.co.uk/pages/our-finishes for further details.*



Knob Code	Depth (D)	Width (W)	Projection (P)
BBFK01	38mm	51mm	35mm
BBFK02	32mm	45mm	30mm
BBFK03	23mm	32mm	22mm



*Available in all Armac Martin finishes, & supplied with M4 breakoff screws.
 Please see: www.armacmartin.co.uk/pages/our-finishes for further details.*

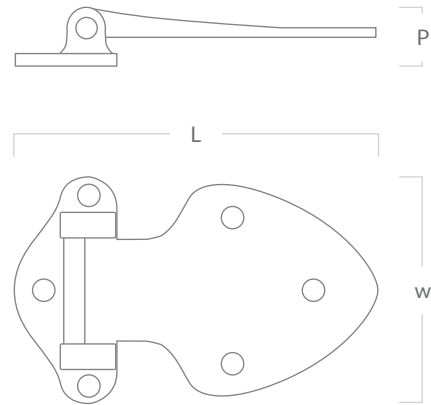


Latch Code	Length (L)	Width (W)	Projection (P)
BBF/LATCH/FLUSH	168mm	58mm	47mm
BBF/LATCH/OFFSET	168mm	58mm	47mm

Offset latch has 3/8th offset.



*Available in all Armac Martin finishes, & supplied with M4 breakoff screws.
 Please see: www.armacmartin.co.uk/pages/our-finishes for further details.*



Hinge Code	Width (W)	Length (L)	Projection (P)
BBF/HINGE	76mm	120mm	10mm

Offset hinge has 3/8th offset.



*Available in all Armac Martin finishes, & supplied with M4 breakoff screws.
 Please see: www.armacmartin.co.uk/pages/our-finishes for further details.*