



The Traditional Kitchen Collection Installation & User Guide

PERRIN & ROWE
MAYFAIR LONDON

PHOENICIAN - E.4360, E.4460

Congratulations on the purchase of your Perrin & Rowe kitchen tap!

Correctly installed and with sensible care, it will give many years of trouble free service.

Before you proceed... We recommend you engage the services of a registered plumber to install this product.

Read the instructions and diagrams in this leaflet carefully.

Preparation

- 1) **Flush the plumbing system before installing the tap.** This is to avoid plumbing residues clogging or possibly damaging the ceramic valves. It is especially important where extensive plumbing work has been carried out.

For ease of possible future servicing, we recommend the fitting of conveniently placed isolating valves.

Check List

- Temperature of the hot water supply does not exceed 85°C.
- Recommended minimum water supply pressure - 1 bar .
- Ideal performance obtained with equal hot and cold pressure.
- Recommended maximum water supply pressure - 5 bar.

Phoenician Monobloc Assembly- Refer to Figure 1.

- 2) Hot supply should be on the left when viewed from the front of the fitting.
- 3) Monobloc mixers require a 35mm diameter hole through the surface they are to be installed on. Maximum counter-top thickness 45mm.
- 4) Insert the flexible connections through the hole ensuring that the base ring and seal are in place between the mixer and mounting surface. Connect these to the relevant supply lines.
- 5) From the underside of the counter-top, place the clamp plate on securing stud and using the box spanner supplied, put fixing nut in spanner and tighten until mixer is held firmly in position. **See Figure 1.**

Rinse

- 6) The rinse units require a 30mm diameter hole through the surface they are to be installed on. Assemble rinse unit socket ensuring the base seal is in place under body. Attach the tapered end of the flex to the rinse unit. Check that the Non-Return valve is fitted in the externally threaded end of the flex. If not, push the Non-return valve into the bore, ensuring that it is correctly orientated. Pass the flex through the socket, and screw the externally threaded end to the remaining hose at the base of the mixer tap.

Before Use

- 7) Turn on the Hot and Cold supplies to the tap.
- 8) **Carefully check the installation for leaks.**
- 9) If further building work is to be carried out in the vicinity, cover the tap with a plastic bag to avoid damaging the finish.

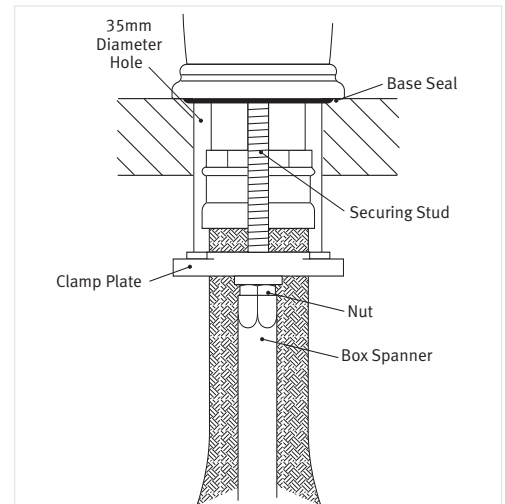
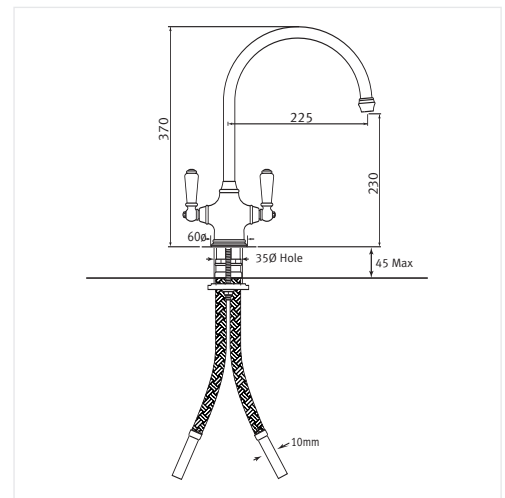
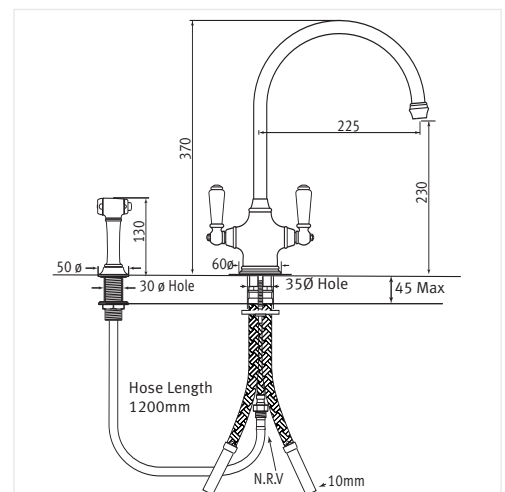


Figure 1. Installation of Centrebody



Phoenician Monobloc Sink Mixer with Lever Handles E.4460



Phoenician Monobloc Sink Mixer with Rinse E.4360

Operation

Ceramic disc valves are fitted as standard.
Flow from FULLY OFF to FULLY ON is achieved by rotating the handles a quarter turn.

Guarantee

For written details of the product guarantee, please contact us at the address shown below.

Spare Parts

For maintenance and repairs, we recommend you employ a registered plumber. Before ordering spare parts, determine the correct reference number from the exploded diagram below. Quote this number, and where appropriate, the colour of your tap. For spares, please contact your local distributor or Perrin & Rowe.

Care & Maintenance

Occasional cleaning with warm soapy water, followed by a polish with a soft cloth is all that is required to keep the plated finish in good condition.

Do not use proprietary abrasive liquids, powders, or pads to clean the tap. You will damage the plated finish and void your guarantee.

The aeration device fitted to the hot/cold water outlet may need occasional cleaning, especially in hard water areas. This is accomplished by unscrewing the outlet in an anti-clockwise direction, dismantling and leaving the inner screen mesh immersed overnight in vinegar or lemon juice.

DO NOT use chemical descaling liquids for this purpose.

