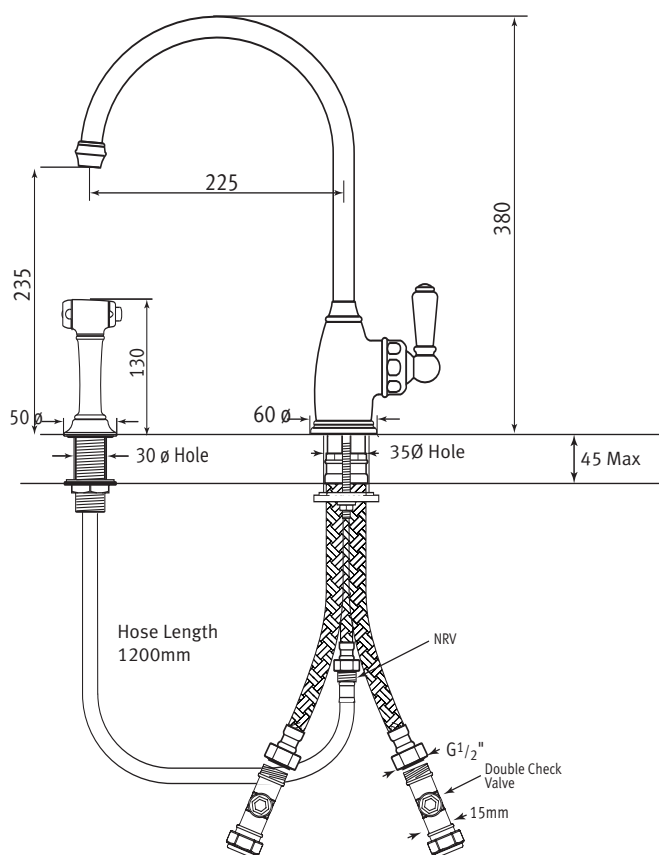


Specification 4346

Parthian Monobloc Single Porcelain Lever Mixer with Rinse

- easy to operate single handle design. ● Flexible connectors for easier installation.
- pull out rinse with insulated handle. ● Corian insert available.
- supplied with double check valves



Temp Range:

min 1°C/34°F

max 85°C/185°F

Recommended working pressure:

min 1 bar/15 psi

max 5 bar/75 psi



Specification 4346

Parthian Monobloc Single Porcelain Lever Mixer with Rinse

- easy to operate single handle design. ● Flexible connectors for easier installation.
- pull out rinse with insulated handle. ● Corian insert available.
- supplied with double check valves

Where * Indicated Specify Colour.

