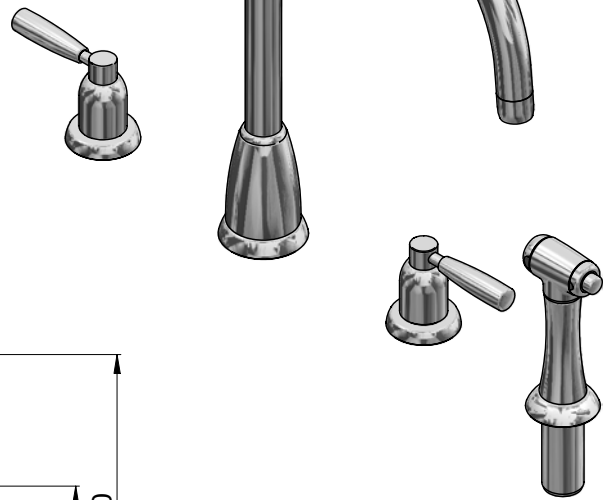
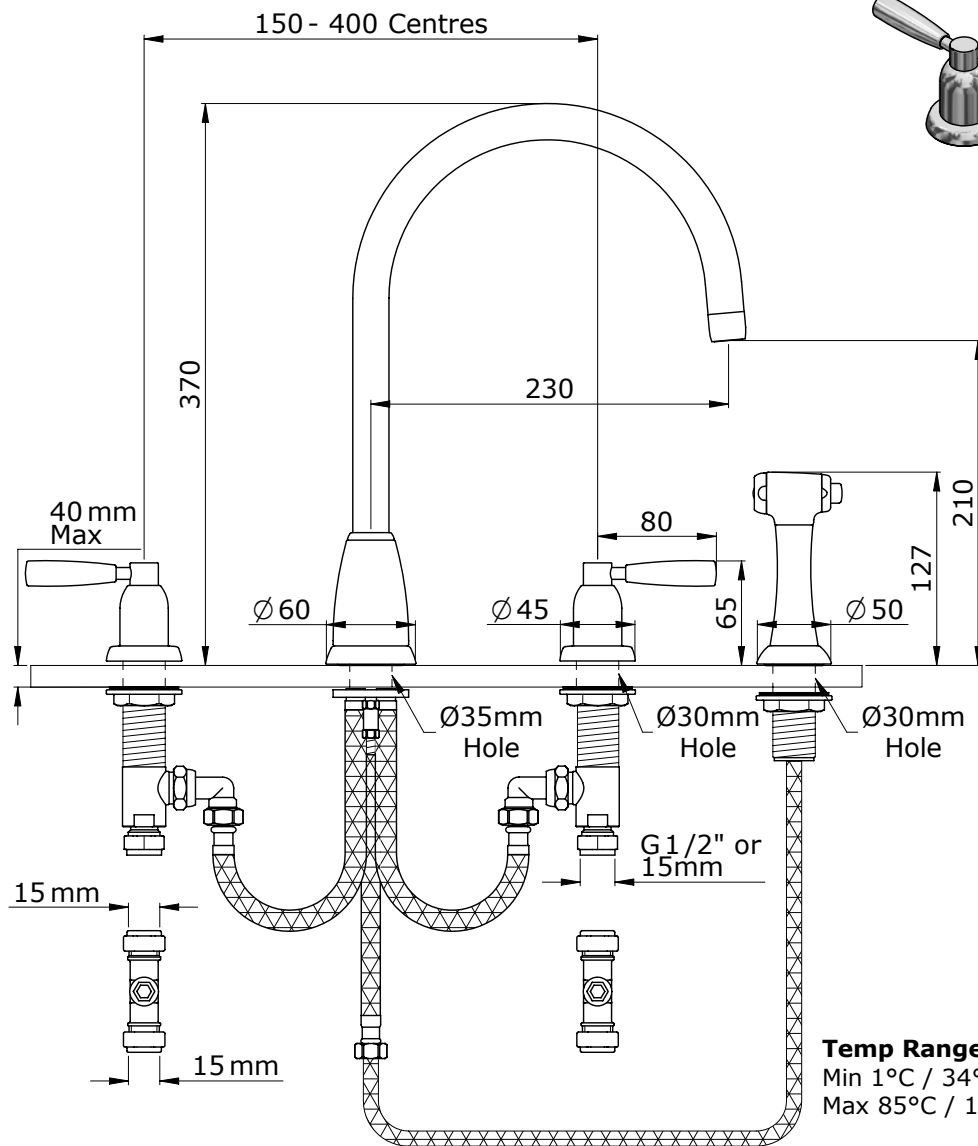


## Callisto Four Hole Sink Mixer with 'C' Spout

- 1/4 turn ceramic disc flow control
- Vernier insert for accurate handle alignment
- Unique handle construction with integral bearing ring
- Flexible connectors for easier installation



**Temp Range:**  
Min 1°C / 34°F  
Max 85°C / 185°F

**Recommended Working Pressure:**  
Min 1bar / 15psi  
Max 5bar / 75psi

**Packed Weight:**  
5Kg

**Available Finishes:**

- Chrome
- Nickel
- Pewter

