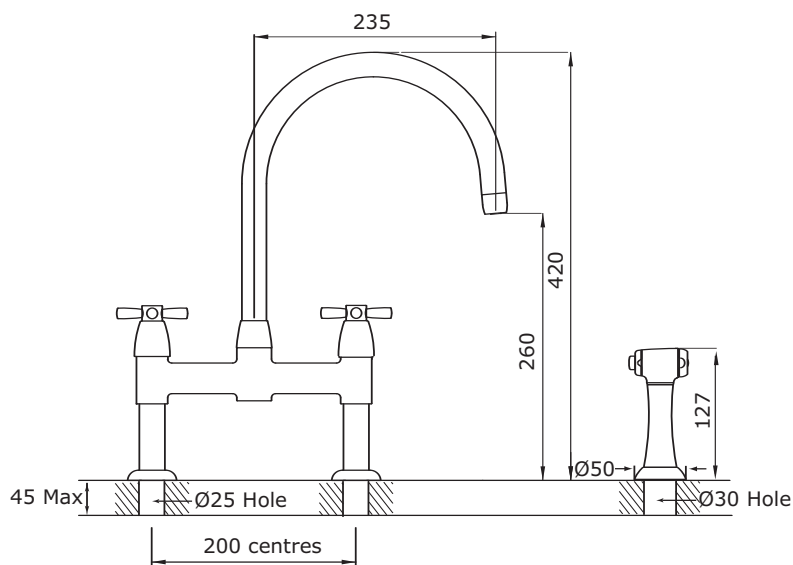


Specification 4272



1o Two Hole Sink Mixer with Crosshead Handles and Rinse

- Pull out rinse with insulated handle. ● 1/4 turn ceramic disc flow control.
- vernier insert for accurate handle alignment. ● unique handle construction with integral bearing ring.



Temp Range:

min 1°C/34°F

max 85°C/185°F

Recommended working pressure:

min 1 bar/15 psi

max 5 bar/75 psi

Specification 4272

1o Two Hole Sink Mixer with Crosshead Handles and Rinse

- Pull out rinse with insulated handle. ● 1/4 turn ceramic disc flow control.
- vernier insert for accurate handle alignment. ● unique handle construction with integral bearing ring.

Where * Indicated Specify Colour.

