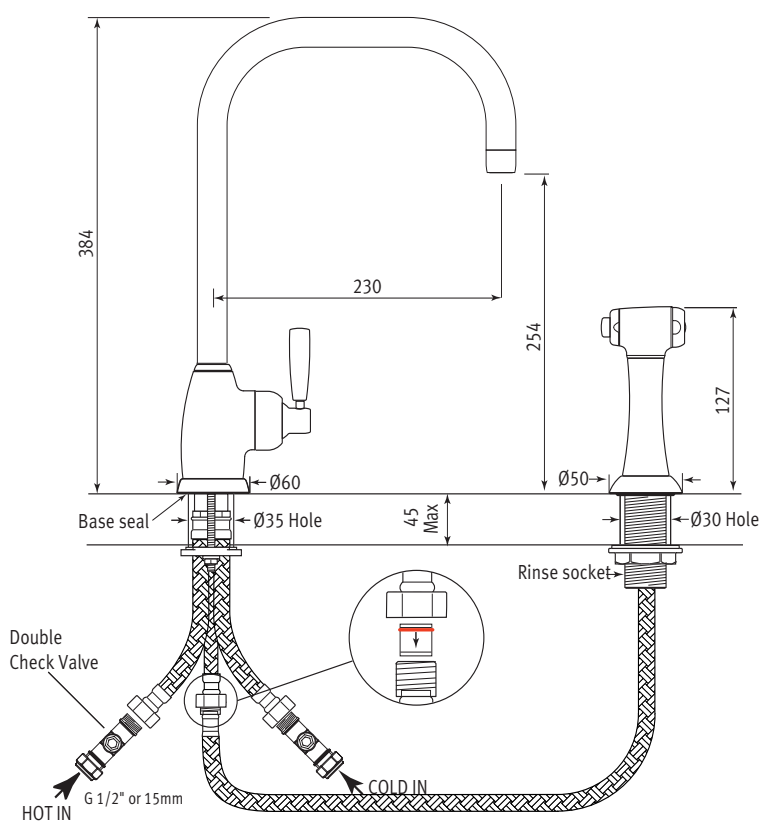


# Specification 4848

## Mimas Single Lever 'U' Spout with Rinse

- easy to operate single handle design.
- flexible connectors for easier installation.
- pull out rinse with insulated handle



### Temp Range:

min 1°C/34°F  
max 85°C/185°F

### Recommended working pressure:

min 1 bar/15psi  
max 5 bar/75psi



# Specification 4848

## Mimas Single Lever 'U' Spout with Rinse

- easy to operate single handle design.
- flexible connectors for easier installation.
- pull out rinse with insulated handle

Where \* Indicated Specify Colour.

